

**PLEASE CHECK WWW.MOLEX.COM FOR LATEST PART INFORMATION**

**Part Number:** **0520302929**  
**Status:** **Active**  
**Overview:**  
**Description:** 1.00mm (.039") Pitch FFC/FPC Connector, Through-Hole, Vertical, ZIF Receptacle, 29 Circuits, Lead-free

**General**

Product Family FFC/FPC Connectors  
 Series 52030  
 Overview ffc\_fpc\_throughhole  
 Product Name N/A

**Physical**

Circuits (Loaded) 29  
 Contact Position N/A  
 Durability (mating cycles max) 30  
 Entry Angle Vertical  
 Mated Height (in) 0.205 In  
 Mated Height (mm) 5.20 mm  
 Material - Metal Phosphor Bronze  
 Material - Plating Mating Tin-Bismuth  
 Material - Plating Termination Tin-Bismuth  
 Material - Resin Nylon, Polyester  
 Number of Rows 1  
 Orientation Vertical  
 PC Tail Length (in) 0.126 In  
 PC Tail Length (mm) 3.20 mm  
 PCB Retention Yes  
 PCB Thickness Recommended (in) 0.063 In  
 PCB Thickness Recommended (mm) 1.60 mm  
 Packaging Type Tray  
 Pitch - Mating Interface (in) 0.039 In  
 Pitch - Mating Interface (mm) 1.00 mm  
 Polarized to PCB No  
 Stackable No  
 Temperature Range - Operating -20°C to +80°C  
 Termination Interface: Style Through Hole  
 Wire/Cable Type FFC/FPC

**Electrical**

Current - Maximum per Contact 1A  
 Voltage - Maximum 50V

**Material Info**

**Reference - Drawing Numbers**

Product Specification PS-52030-004, RPS-52030-005, RPS-52030-006,  
 RPS-52030-018, RPS-52030-019, RPS-52030-023  
 Sales Drawing SD-52030-017

**EU RoHS**

**ELV and RoHS  
 Compliant**

**REACH SVHC**

Not Reviewed

**Halogen-Free**

**Status**

**Not Reviewed**

**China RoHS**



**Need more information on product  
 environmental compliance?**

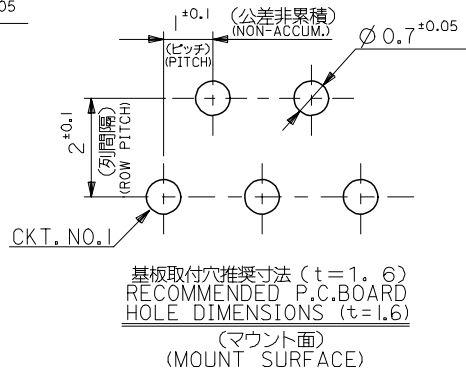
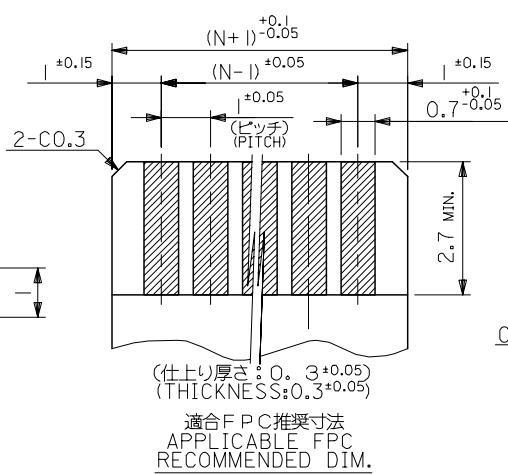
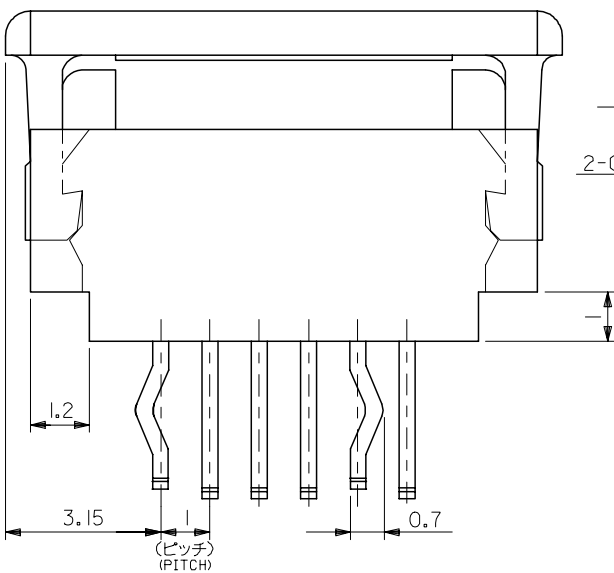
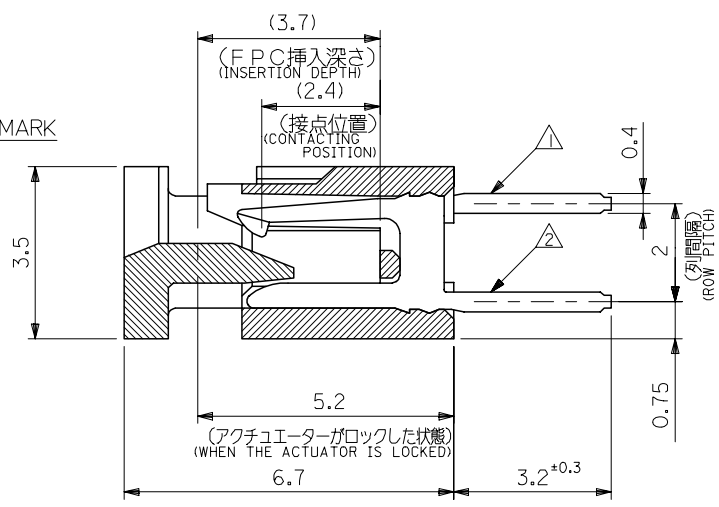
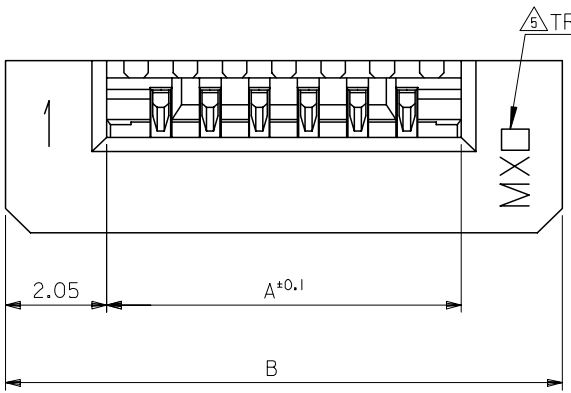
Email [productcompliance@molex.com](mailto:productcompliance@molex.com)  
 For a multiple part number RoHS Certificate of  
 Compliance, [click here](#)

Please visit the [Contact Us](#) section for any  
 non-product compliance questions.

**Search Parts in this Series**

52030Series

10 9 8 7 6 5 4 3 2 1



TRADE MARK  
MADE IN JAPAN:MXJ  
MADE IN MALAYSIA:MXL

FPCについて:  
打抜き方向は導体側から補強板側を推奨致します。  
補強フィルム材質はポリイミドを推奨致します。  
接着剤は熱硬化接着剤を推奨致します。

ABOUT FPC:  
RECOMMENDED PUNCHER DIRECTION :FORM CONDUCTOR SIDE TO STIFFENER BOARD SIDE.  
RECOMMENDED MATERIAL :  
STIFFENER FILM : POLYIMIDE  
BONDING AGENT : THEROSETTING BONDING AGENT

|      |      |              |            |
|------|------|--------------|------------|
| 35.3 | 31.2 | 52030-3029   | 30         |
| 34.3 | 30.2 | -2929        | 29         |
| 33.3 | 29.2 | -2829        | 28         |
| 32.3 | 28.2 | -2729        | 27         |
| 31.3 | 27.2 | -2629        | 26         |
| 30.3 | 26.2 | -2529        | 25         |
| 29.3 | 25.2 | -2429        | 24         |
| 28.3 | 24.2 | -2329        | 23         |
| 27.3 | 23.2 | -2229        | 22         |
| 26.3 | 22.2 | -2129        | 21         |
| 25.3 | 21.2 | -2029        | 20         |
| 24.3 | 20.2 | -1929        | 19         |
| 23.3 | 19.2 | -1829        | 18         |
| 22.3 | 18.2 | -1729        | 17         |
| 21.3 | 17.2 | -1629        | 16         |
| 20.3 | 16.2 | -1529        | 15         |
| 19.3 | 15.2 | -1429        | 14         |
| 18.3 | 14.2 | -1329        | 13         |
| 17.3 | 13.2 | -1229        | 12         |
| 16.3 | 12.2 | -1129        | 11         |
| 15.3 | 11.2 | -1029        | 10         |
| 14.3 | 10.2 | -0929        | 9          |
| 13.3 | 9.2  | -0829        | 8          |
| 12.3 | 8.2  | -0729        | 7          |
| 11.3 | 7.2  | -0629        | 6          |
| 10.3 | 6.2  | -0529        | 5          |
| 9.3  | 5.2  | -0429        | 4          |
| 8.3  | 4.2  | 52030-0329   | 3          |
| B    | A    | MATERIAL NO. | 極数<br>CKT. |

注記:  
 △ CKT. NO. 1を基準に偶数番目のソルダーテール。  
 EVEN NUMBER SOLDER TAIL.  
 △ CKT. NO. 1を基準に奇数番目のソルダーテール。  
 ODD NUMBER SOLDER TAIL.  
 3. 材料:  
 MATERIAL:  
 ターミナル: リン青銅, ニッケル下地, 錫ビスマスメッキ (t=0.32)  
 TERMINAL: PHOSPHOR BRONZE, TIN-BISMUTH OVER NICKEL PLATING.(t=0.32)  
 ハウジング: 66ナイロン, UL94V-0  
 HOUSING: 66NYLON, UL94V-0  
 アクチュエーター: ポリエステル, UL94V-0  
 ACTUATOR: POLYESTER, UL94V-0  
 4. 本製品は52030-\*\*\*10の鉛フリー品である。  
 THIS PRODUCT IS LEAD FREE OF 52030-\*\*\*10.

|   |  |                                       |                           |   |                              |                              |                         |                        |  |
|---|--|---------------------------------------|---------------------------|---|------------------------------|------------------------------|-------------------------|------------------------|--|
| REVISED<br>EC NO: J2008-1613<br>DRWNY: A0YAGI 2007/10/30<br>CHKD: THARUYAMA 2007/10/30<br>APPR: NUKITA 2007/10/30 | DESCRIPTION  | GENERAL TOLERANCES (UNLESS SPECIFIED) |                           | DIMENSION STYLE<br>MM ONLY  |                              | SCALE<br>10:1                | DESIGN UNIT'S<br>METRIC | THIRD ANGLE PROJECTION |  |
|   |  | 10 UNDER                              | ±0.2                      | DRAWN BY<br>YWADA   | DATE<br>'04/03/29            | TITLE<br>1.0 FPC CONN ZIF ST |                         |                        |  |
|   |  | 10 OVER 30 UNDER                      | ±0.25                     | CHECKED BY<br>MSASAO  | DATE<br>'04/03/29            | -LEAD FREE-                  |                         |                        |  |
|   |  | 30 OVER                               | ±0.3                      | APPROVED BY<br>MSASAO   | DATE<br>'04/03/29            | MOLEX INCORPORATED           |                         |                        |  |
|   | ANGULAR  | ±3 °                                  | MATERIAL NO.<br>SEE TABLE |   | DOCUMENT NO.<br>SD-52030-017 |                              | SHEET NO.<br>1 OF 1     |                        |  |
|   | DRAFT WHERE APPLICABLE<br>MUST REMAIN<br>WITHIN DIMENSIONS |                                       |                           | SIZE<br>A3 THIS DRAWING CONTAINS INFORMATION THAT IS PROPRIETARY TO MOLEX<br>INCORPORATED AND SHOULD NOT BE USED WITHOUT WRITTEN PERMISSION |                              |                              |                         |                        |  |