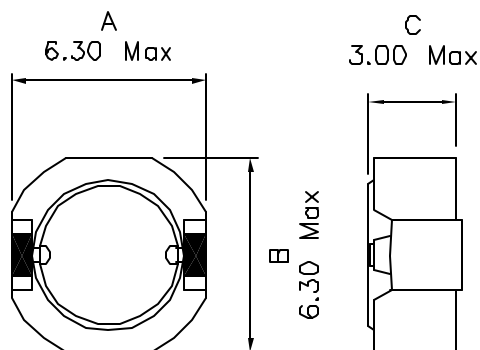
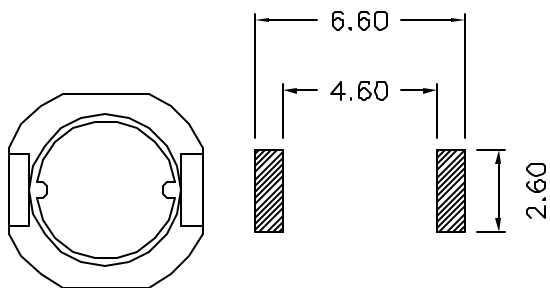


1. Mechanical Dimensions:



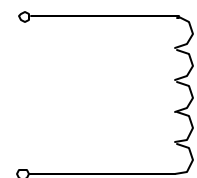
TOP VIEW



BOTTOM VIEW

PCB LAYOUT

2. Schematic:



3. Electrical Specification:

INDUCTANCE: 2.2uH±20% @100KHz 0.1V

DCR: 0.028Ohms Max

Irated: 2.66Adc

Notes:

1. Solderability: Leads shall meet MIL-STD-202G, Method 208H for solderability.
2. Flammability: UL94V-0
3. ASTM oxygen index: > 28%
4. Insulation System: Class F 155°C. UL file E151558
5. Operating Temperature Range: All listed parameters are to be within tolerance from -40°C to +85°C
6. Storage Temperature Range: -55°C to +125°C
7. Aqueous wash compatible
8. SMD Lead Coplanarity: ±0.004"(0.102mm)
9. Electrical and mechanical specifications 100% tested
10. RoHS Compliant Component

DOC. REV. A/2

PROPRIETARY

Document is the property of XFMRS Group & is not allowed to be duplicated without authorization.

XFMRS Inc. www.XFMRS.com	Title: INDUCTORS		
UNLESS OTHERWISE SPECIFIED TOLERANCES: .xxx ±0.010 Dimensions in INCH	P/N:XF636030SH-2R2M		REV. A
	DWN.	廖玉坤	Feb-26-07
	CHK.	李清儿	Feb-26-07
	APP.	BW	Feb-26-07
SHEET 1 OF 1			