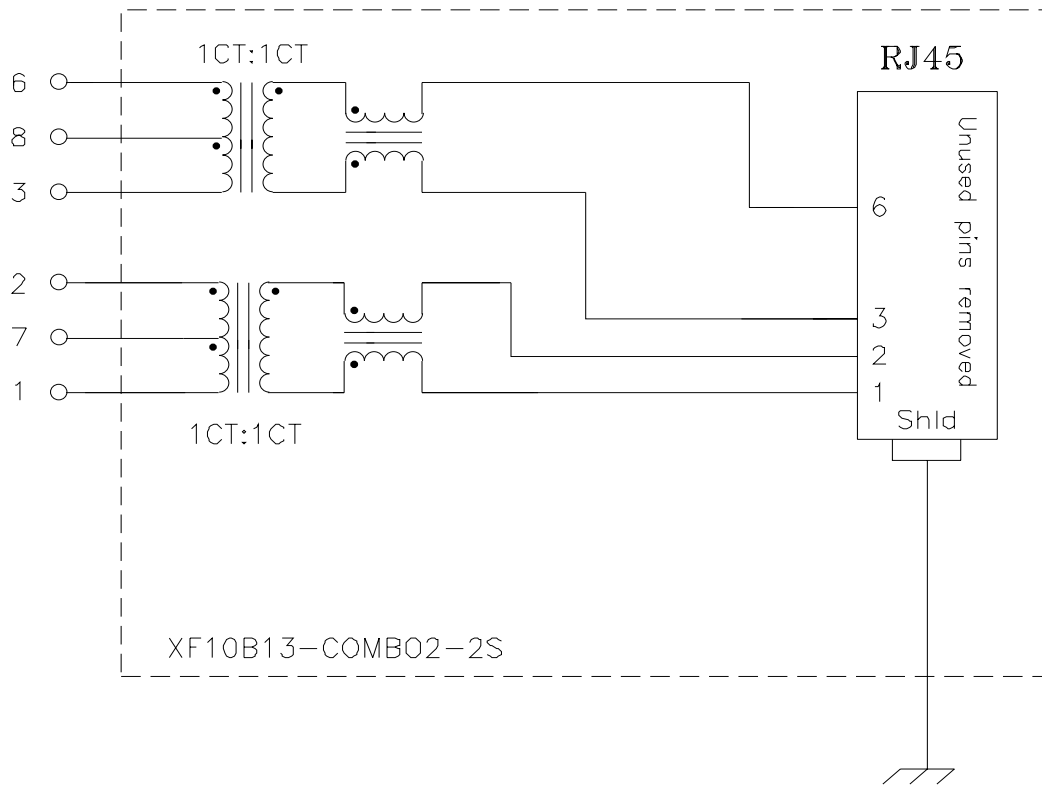


Schematic: (One of Two)



Electrical Specifications: @25°C

Isolation Voltage: 1500 Vrms (Input to Output)

Turns Ratio: TX 1CT:1CT $\pm 3\%$ RX 1CT:1CT $\pm 3\%$

OCL: 200uH Minimum @10KHz 100mV

Cw/w: 20pF Max @1MHz 100mV

Leakage L: (Chip Side) 0.3uH Max @1MHz, 0.1V (Short Line Side)

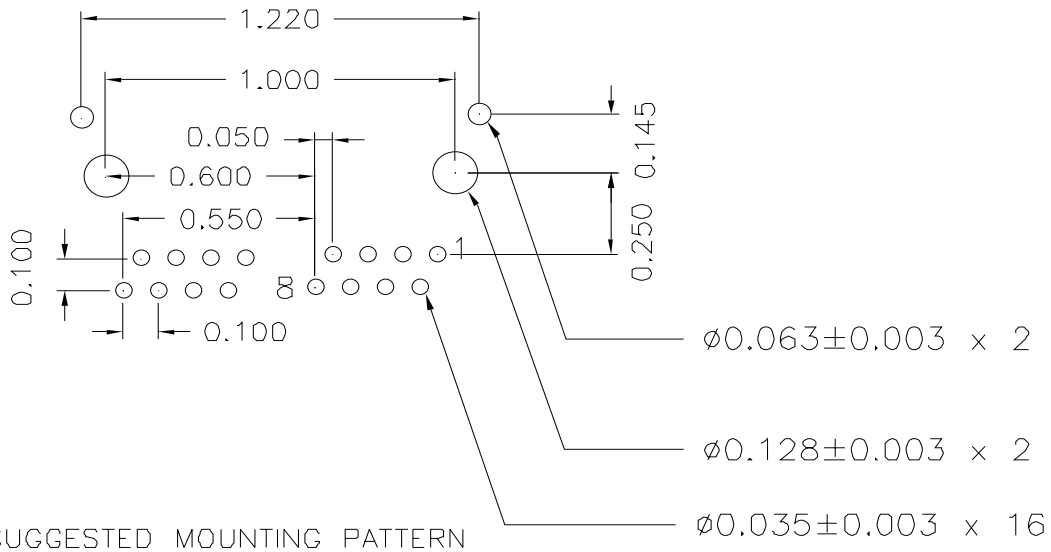
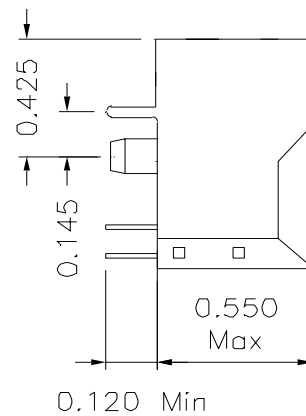
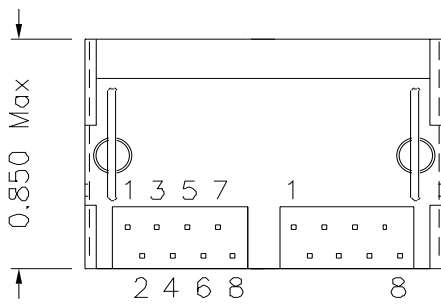
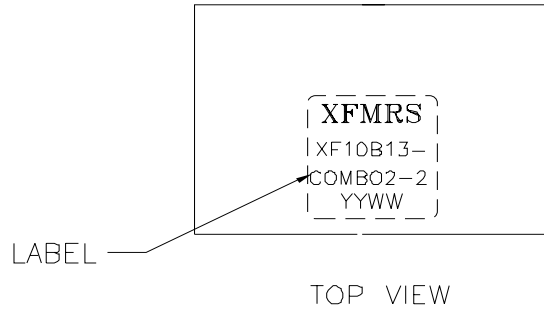
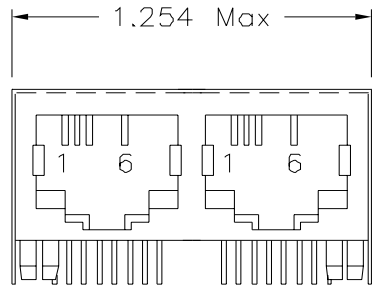
DC Res.: (Line Side) 1.0 Ohms Max

DC Res.: (Chip Side) 1.0 Ohms Max

DOC. REV: A/1

XFMRs Inc.	Title: TWO PORT COMBO		
UNLESS OTHERWISE SPECIFIED TOLERANCES: .xxx ± 0.010 Dimensions in Inch	P/N: XF10B13-COMBO2-2S		REV. A
	DWN.	李清儿	Jun-09-00
SHEET 1 OF 2	CHK.	孙小松	Jun-09-00
	APP.	Joe Huff	Jun-09-00

Mechanical Dimensions: (FOR COMBO2-2S)



XFMRS Inc. UNLESS OTHERWISE SPECIFIED TOLERANCES: .xxx ±0.010 Dimensions in Inch SHEET 2 OF 2	Title: Mechanical Dimensions For COMBO2-2S Series		
	P/N:	XF10B13-COMBO2-2S	REV. A
	DWN.	康玉坤	Jun-09-00
	CHK.	李清儿	Jun-09-00
	APP.	Joe Huff	Jun-09-00

DOC REV: A/1