

Model(型號): **ROTARY POTENTIOMETER-----R16911AS1**

► [Download PDF file](#)

**Features:(特點):**

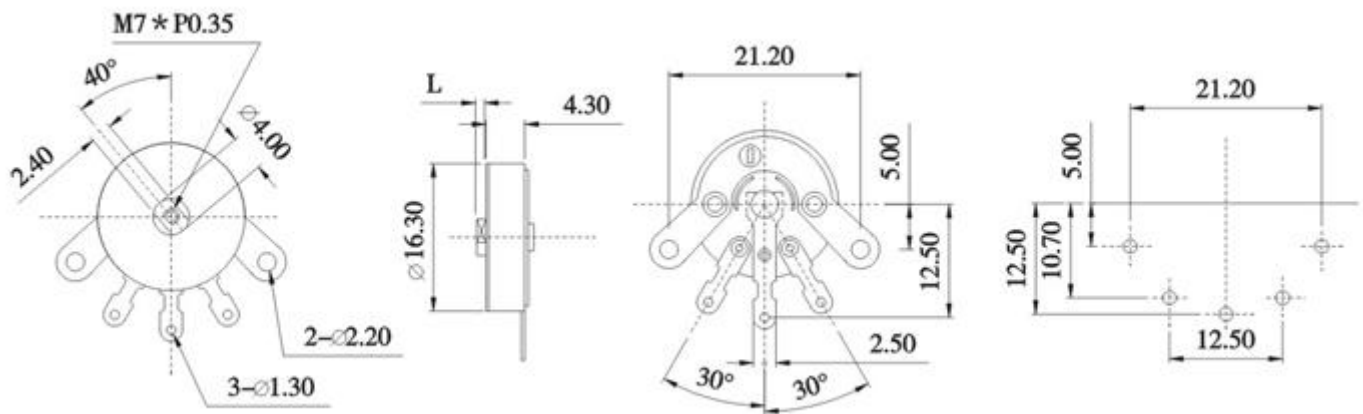
Small size,high dependability

**Applications(作用):**

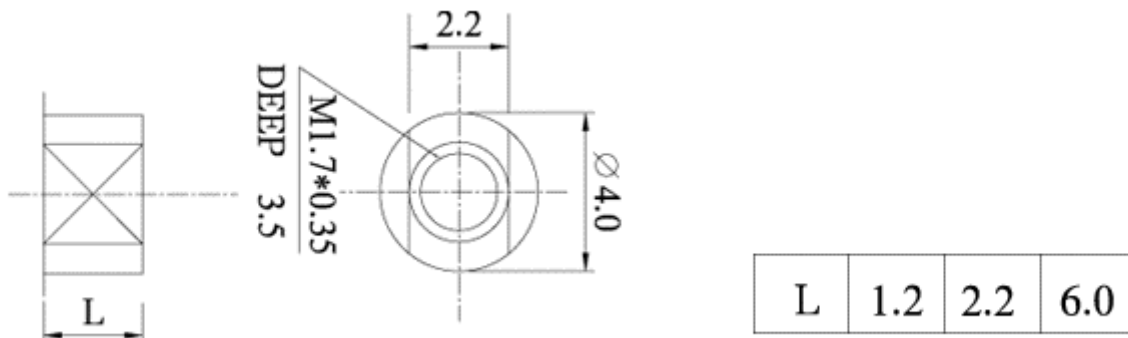
For volume controls, electronic tuning and brightness control in radio , headphone stereo,liquidcrystal TV set,personal computer, CD-ROM,ect.



**Dimensions(規格圖):**



**SHAFT DIMENSION**



**Specifications(規格)**

<b>Electrical Characteristics [ 電氣性能 ]</b>	
Total resistance [ 全阻抗值 ]	100Ω - 1MΩ
Total resistance tolerance [ 全阻抗值容許差 ]	±20%
Ratings power(w) [ 額定功率 ]	Linear Taper B : 0.1W , Other Tarpers :0.05W .
Resistance taper [ 阻抗變化特性 ]	A,B, *C,D,W
Residual resistance [ 殘留阻值 ]	20Ω Max
Sliding noise [ 滑動雜音 ]	150mV Max.
Gang error [ 連動誤差 ]	R ≤ 1KΩ,30dB~0dB ±3dB Max ; R > 1KΩ,40dB~0dB ±3dB Max .
Insulation resistance [ 絕緣阻抗 ]	100MΩ Min. at DC 500V.
Withstanding voltage [ 耐電壓 ]	1 minute at AC 250V
Max. operating voltage [ 最高使用電壓 ]	Linear Taper B : AC150V , Other Tarpers : AC100V .
<b>Mechanical Characteristics [ 機械性能 ]</b>	
Operation torque [ 回轉力矩 ]	20~200gf . cm
Rotation stopper strength [ 止動強度 ]	0.6Kgf . cm Min.

Total rotational angle [回轉角度]	260 ±10°
Knob push-pull strength [推拉強度]	Push 1.0kgf. cm Max.
<b>Endurance Characteristics [耐久性能]</b>	
Rotational life [回轉壽命]	More than 5,000 cycles

[Http://www.productwell.com](http://www.productwell.com) E-Mail: [pwlhk@productwell.com](mailto:pwlhk@productwell.com) Tel: (852)2687 3208 Fax: (852)2687 3336