

PLEASE CHECK WWW.MOLEX.COM FOR LATEST PART INFORMATION

Part Number: [5016463600](#)
Status: **Active**
Overview: [igrid](#)
Description: 2.00mm (.079") Pitch iGrid™ Wire-to-Board Housing, Dual Row, Positive Lock, 36 Circuits

Documents:

[3D Model](#) [Product Specification PS-501646-001 \(PDF\)](#)
[Drawing \(PDF\)](#) [RoHS Certificate of Compliance \(PDF\)](#)

General

Product Family Crimp Housings
 Series [501646](#)
 Overview [igrid](#)
 Product Name iGrid™

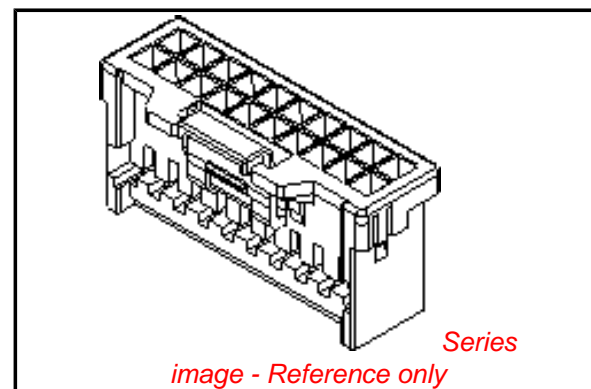
Physical

Circuits (maximum) 36
 Color - Resin Natural
 Gender Female
 Glow-Wire Compliant No
 Lock to Mating Part Yes
 Material - Resin Nylon
 Number of Rows 2
 Packaging Type Bag
 Panel Mount No
 Pitch - Mating Interface (in) 0.079 In
 Pitch - Mating Interface (mm) 2.00 mm
 Polarized to Mating Part Yes
 Stackable No
 Temperature Range - Operating -25°C to +85°C

Material Info

Reference - Drawing Numbers

Product Specification PS-501646-001, RPS-501646-001, RPS-501646-002, RPS-501646-003, RPS-501646-004, RPS-501646-005, RPS-501646-006, RPS-501646-007, RPS-503091-001
 Sales Drawing SD-501646-001



EU RoHS

ELV and RoHS Compliant
REACH SVHC Contains SVHC: No
Halogen-Free Status
Not Reviewed

China RoHS



Need more information on product environmental compliance?

Email productcompliance@molex.com
 For a multiple part number RoHS Certificate of Compliance, [click here](#)

Please visit the [Contact Us](#) section for any non-product compliance questions.

Search Parts in this Series

[501646Series](#)

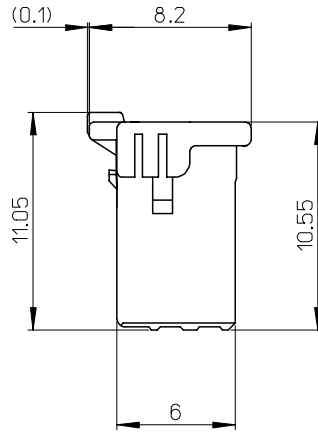
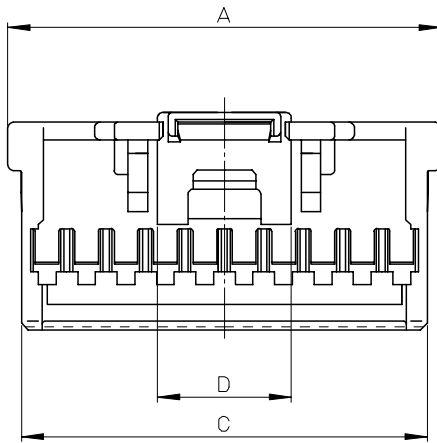
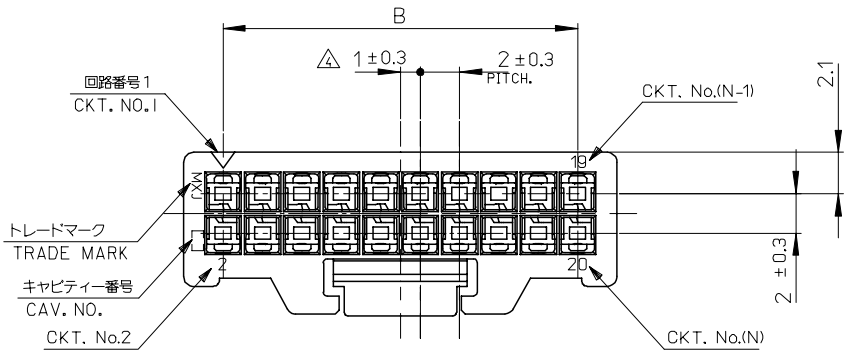
Mates With

[501645](#) Vertical Header . [501876](#) Right Angle Header

Use With

[501647](#) 22-26 AWG Terminal . [501648](#) 26-28 AWG Terminal

10 9 8 7 6 5 4 3 2 1



注記 NOTES

1. 材料 MATERIAL
ハウジング : 66ナイロン, UL94V-0
HOUSING : 66NYLON, UL94V-0
2. 嵌合相手 :501645 シリーズ
MATE WITH : 501645 SERIES
3. 適合ターミナル : 501647 シリーズ
APPLICABLE TERMINAL : 501647 SERIES

△ (全極数/2) = 偶数の場合に適用。
APPLY FOR (CIRCUIT/2)=EVEN

△ 製品番号 MATERIAL NO.
501646 -0***
極数 CIRCUIT SIZE 色 COLOR

| | |
|---------------|---|
| ナチュラル NATURAL | 0 |
| 黒 BLACK | 1 |
| 赤 RED | 2 |
| 黄 YELLOW | 3 |
| 青 BLUE | 4 |
| 桃 PINK | 5 |
| 緑 GREEN | 6 |
| 茶 BROWN | 7 |
| 橙 ORANGE | 8 |
| 紫 VIOLET | 9 |

| | | | | | |
|-----|------|----|----|---------------------|----|
| 6.8 | 40.6 | 38 | 42 | 501646 -400* | 40 |
| 6.8 | 38.6 | 36 | 40 | -380* | 38 |
| 6.8 | 36.6 | 34 | 38 | -360* | 36 |
| 6.8 | 34.6 | 32 | 36 | -340* | 34 |
| 6.8 | 32.6 | 30 | 34 | -320* | 32 |
| 6.8 | 30.6 | 28 | 32 | -300* | 30 |
| 6.8 | 28.6 | 26 | 30 | -280* | 28 |
| 6.8 | 26.6 | 24 | 28 | -260* | 26 |
| 6.8 | 24.6 | 22 | 26 | -240* | 24 |
| 6.8 | 22.6 | 20 | 24 | -220* | 22 |
| 6.8 | 20.6 | 18 | 22 | -200* | 20 |
| 6.8 | 18.6 | 16 | 20 | -180* | 18 |
| 6.8 | 16.6 | 14 | 18 | -160* | 16 |
| 6.8 | 14.6 | 12 | 16 | -140* | 14 |
| 6.8 | 12.6 | 10 | 14 | -120* | 12 |
| 5.1 | 10.6 | 8 | 12 | 501646 -100* | 10 |
| D | C | B | A | △ MATERIAL NO. CKT. | |

| | | | | | | | | |
|--|---------------------------------------|------------|---|-------------------------------|---|------------------------|------------------------|--|
| REVISED EC NO: J2006-1309 DRWN: ITO CHKD: ASAKAWA APPR: S. CHIKAWA | GENERAL TOLERANCES (UNLESS SPECIFIED) | | DIMENSION STYLE MM ONLY | | SCALE 4:1 | DESIGN UNITS METRIC | THIRD ANGLE PROJECTION | |
| | 10 UNDER | ±0.2 | DRAWN BY N. ITO | DATE '05/07/04 | TITLE 2.0MM W/B DUAL CONN DIP RCPT HSG | | | |
| | 10 OVER 30 UNDER | ±0.25 | CHECKED BY ASAKAWA | DATE '05/07/04 | | | | |
| | 30 OVER | ±0.3 | APPROVED BY ICHIKAWA | DATE '05/07/04 | MOLEX INCORPORATED | | | |
| | ANGULAR | ±3 ° | MATERIAL NO. 501646-**0* | DOCUMENT NO. SD-501646-001 | | | | |
| DRAFT WHERE APPLICABLE MUST REMAIN WITHIN DIMENSIONS | | SIZE A3 | THIS DRAWING CONTAINS INFORMATION THAT IS PROPRIETARY TO MOLEX INCORPORATED AND SHOULD NOT BE USED WITHOUT WRITTEN PERMISSION | | | | | |