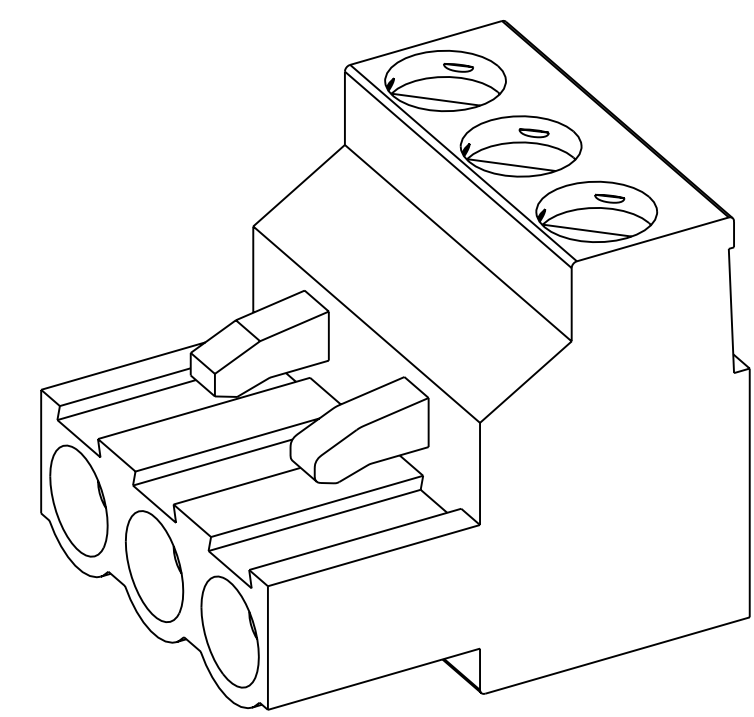
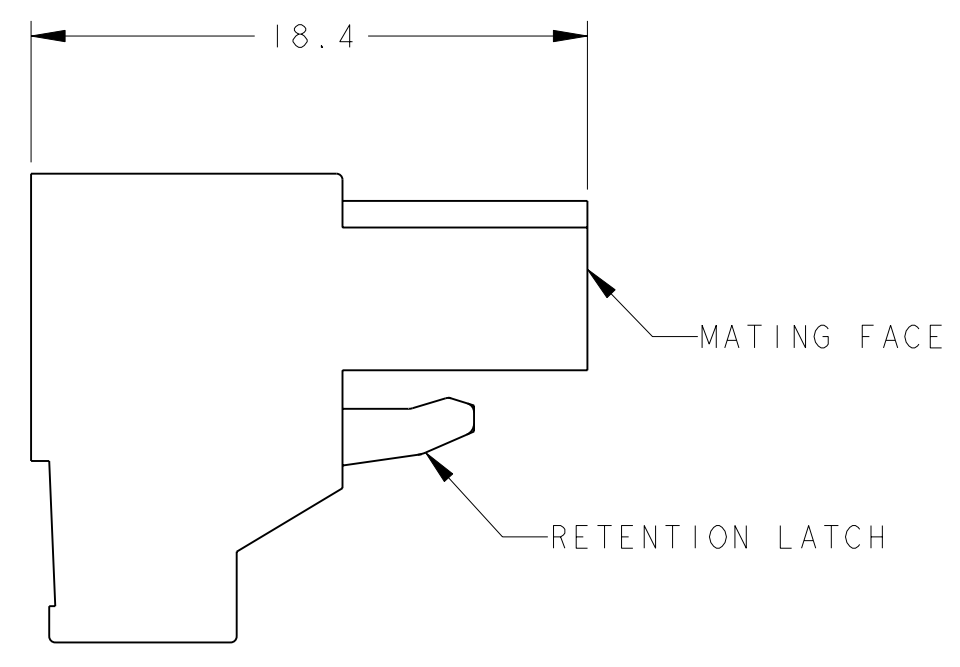
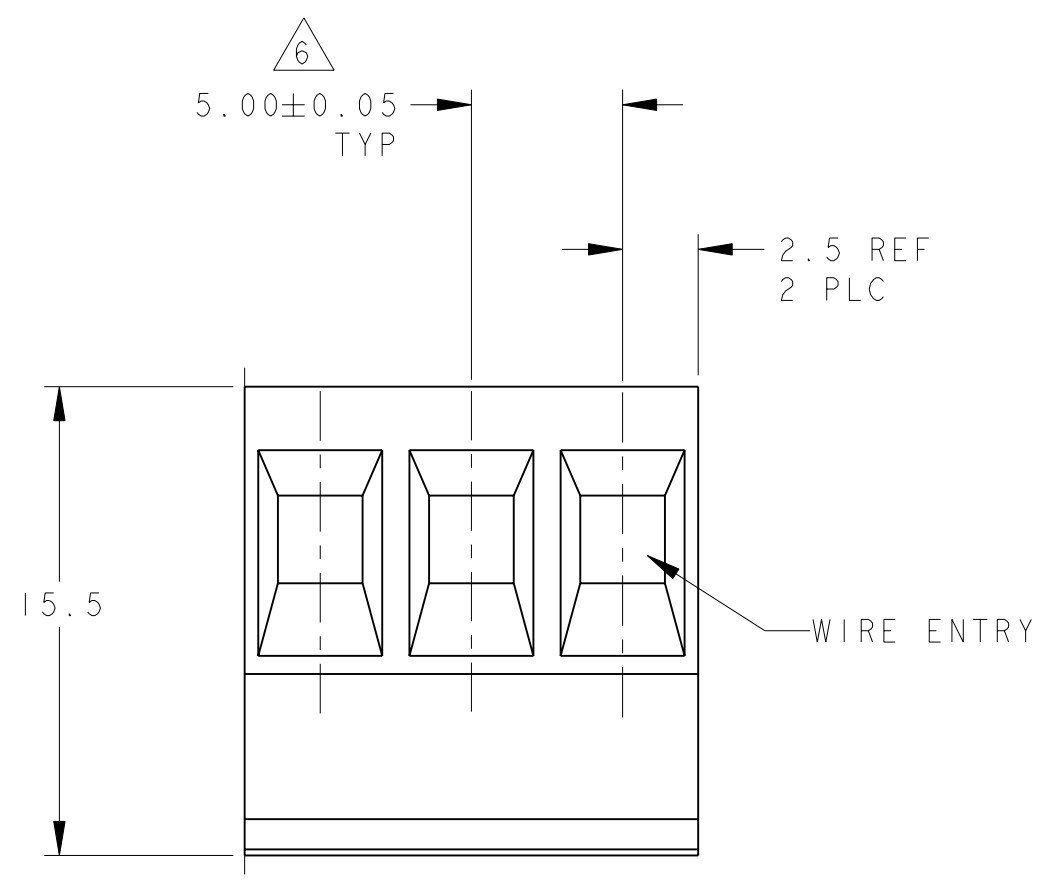
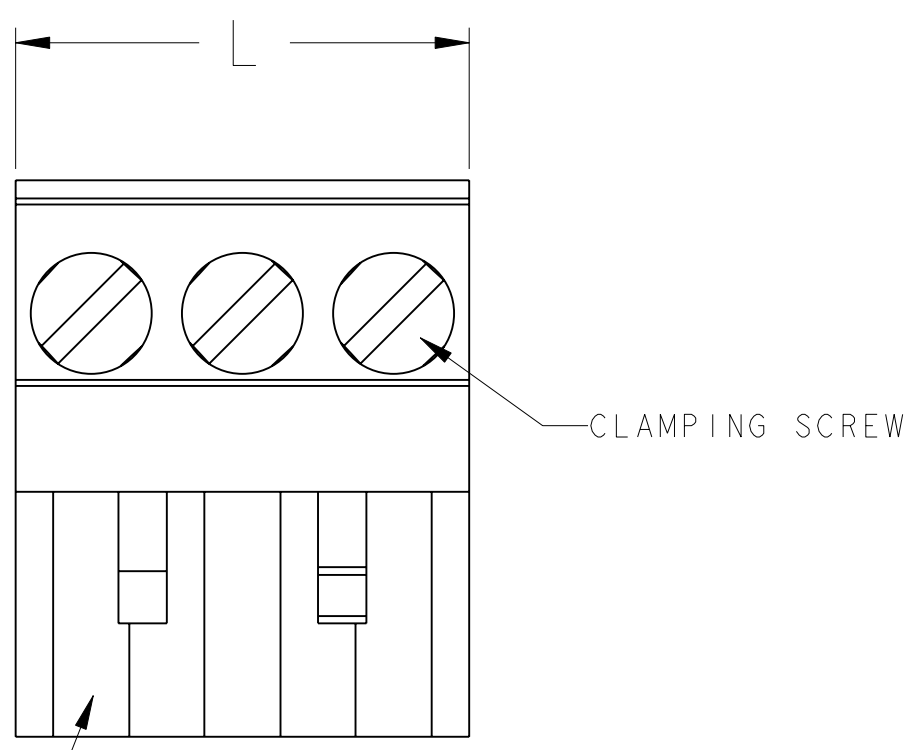


THIS DRAWING IS UNPUBLISHED. RELEASED FOR PUBLICATION 20  
 © COPYRIGHT 20 BY TYCO ELECTRONICS CORPORATION. ALL RIGHTS RESERVED.

LOC	DIST	REVISIONS					
FT	0	P	LTR	DESCRIPTION	DATE	DWN	APVD
		A		RELEASED	05FEB2001	SW	DB
		AI		REVISED ECO-06-007741	31MAR2006	SW	CR



796696-3 AS SHOWN



- 1 MATERIALS AND FINISH:  
 HOUSING: PA 6-6, UL 94-V0, COLOR: BLUE.  
 CLAMP: BRASS, NICKEL PLATED.  
 DOUBLE SIDE CONTACT SPRING: PHOSPHOR BRONZE, TIN PLATED.  
 CLAMPING SCREW: M3, BRASS, NICKEL PLATED.
2. END-TO-END STACKABLE WITHOUT LOSS OF CENTERLINE SPACING.
3. WIRE SIZE RANGE: 12-30 AWG.
4. RECOGNIZED UNDER THE COMPONENT PROGRAM OF UNDERWRITERS LABORATORIES INC. FILE N° E60677.
5. IMQ CERTIFICATE WITH SURVEILLANCE IN CONFORMITY WITH IEC 998-1/998-2-1.
- 6 NOT CUMULATIVE TOLERANCE

DIM L	NO OF POSN	PART NUMBER
125.0	25	2-796696-5
120.0	24	2-796696-4
115.0	23	2-796696-3
110.0	22	2-796696-2
105.0	21	2-796696-1
100.0	20	2-796696-0
95.0	19	1-796696-9
90.0	18	1-796696-8
85.0	17	1-796696-7
80.0	16	1-796696-6
75.0	15	1-796696-5
70.0	14	1-796696-4
65.0	13	1-796696-3
60.0	12	1-796696-2
55.0	11	1-796696-1
50.0	10	1-796696-0
45.0	9	796696-9
40.0	8	796696-8
35.0	7	796696-7
30.0	6	796696-6
25.0	5	796696-5
20.0	4	796696-4
15.0	3	796696-3
10.0	2	796696-2

POLARIZATION KEY SLOT

THIS DRAWING IS A CONTROLLED DOCUMENT FOR TYCO ELECTRONICS CORPORATION. IT IS SUBJECT TO CHANGE AND THE CONTROLLING ENGINEERING ORGANIZATION SHOULD BE CONTACTED FOR THE LATEST REVISION.

DIMENSIONS:	TOLERANCES UNLESS OTHERWISE SPECIFIED:	DWN	05FEB2001	Tyco Electronics Harrisburg, PA 17105-3608
mm	0 PLC ±	CHK	S. WELDON	
	1 PLC ±0.2	APVD	D. BIEVENOUR	
	2 PLC ±	APVD	D. BIEVENOUR	
	3 PLC ±	PRODUCT SPEC		NAME
	4 PLC ±	APPLICATION SPEC		TERMINAL BLOCK, PLUG, STACKING, 5.00mm PITCH
	ANGLES ±	WEIGHT		SIZE
MATERIAL	FINISH			A2
		CUSTOMER DRAWING		CAGE CODE
				00779
				DRAWING NO
				C=796696
				RESTRICTED TO
				SCALE
				4:1
				SHEET
				1 OF 1
				REV
				A1