

PLEASE CHECK WWW.MOLEX.COM FOR LATEST PART INFORMATION

Part Number: [0192110001](#)
Status: **Active**
Overview: [wire_pins](#)
Description: Krimptite™ Wire Pin Terminal for 12-10 AWG Wire

Documents:

[Drawing \(PDF\)](#) [RoHS Certificate of Compliance \(PDF\)](#)

Agency Certification

CSA LR18689
 UL E32244

General

Product Family Crimp Terminals
 Series [19211](#)
 Comments Pin Length 11.43mm (.450")
 Crimp Quality Equipment Yes
 Overview [wire_pins](#)
 Product Name Wire Pin

Physical

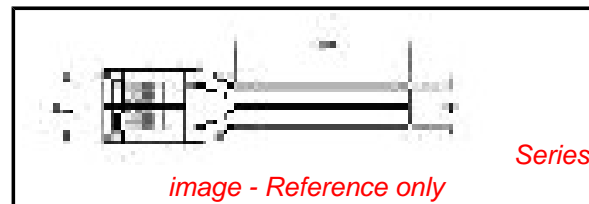
Gender Male
 Material - Metal Copper
 Material - Plating Mating Tin
 Packaging Type Bag
 Plating min: Mating (µin) 39
 Plating min: Mating (µm) 1.00
 Termination Interface: Style Crimp or Compression
 Wire Insulation Diameter 3.45mm (.136") max.
 Wire Size AWG 10, 12
 Wire Size mm² 12 TO 10

Material Info

Old Part Number WP-1210

Reference - Drawing Numbers

Sales Drawing SD-19211-002



EU RoHS

**ELV and RoHS
 Compliant**
**REACH SVHC
 Contains SVHC: No**
**Halogen-Free
 Status
 Not Reviewed**

China RoHS



**Need more information on product
 environmental compliance?**

Email productcompliance@molex.com
 For a multiple part number RoHS Certificate of
 Compliance, [click here](#)

Please visit the [Contact Us](#) section for any
 non-product compliance questions.

Search Parts in this Series

[19211Series](#)

Application Tooling | FAQ

*Tooling specifications and manuals are
 found by selecting the products below.
 Crimp Height Specifications are then
 contained in the Application Tooling
 Specification document.*

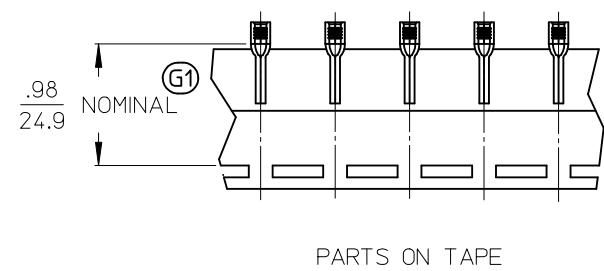
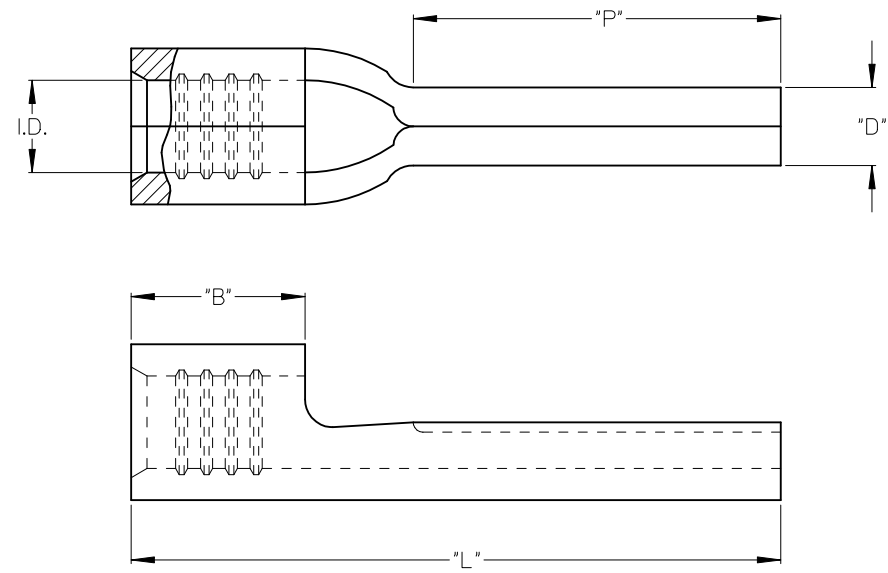
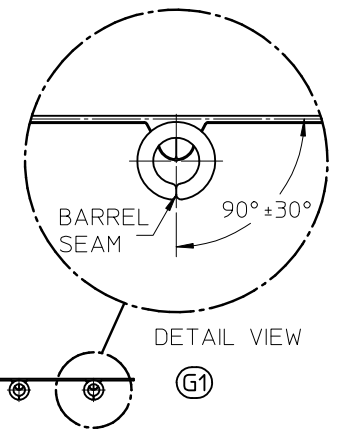
Global

Description	Product #
Hand Crimp Tool	0640030100
Crimp Head for the AT-200™ Pneumatic Hand Tool	0640070100

MATERIAL NO. LOOSE PIECE	ENGINEERING NO. LOOSE PIECE	MATERIAL NO. TAPE MOUNTED	ENGINEERING NO. TAPE MOUNTED	AWG	"I.D." MIN	"B" MIN	"L" MAX	"P" MIN	"D" ± $\frac{.01}{0.3}$
192110003	WP-1218	192110004	WP-1218T	22-18	.058/1.47	.165/ 4.19	.68/ 17.3	.35/ 8.9	.078/ 1.98
192110005	WP-1614	192110006	WP-1614T	16-14	.081/2.06	.165/ 4.19	.68/ 17.3	.35/ 8.9	.078/ 1.98
192110001	WP-1210	192110002	WP-1210T	12-10	.128/3.25	.230/ 5.84	.82/ 20.8	.41/ 10.4	.107/ 2.72

G1

G1 G1 G1 G1



SALES DRAWING

- NOTES:
1. MATERIAL: COPPER
 2. FINISH: ELECTRO-TIN PLATING
 - G1 3. PARTS ARE ROHS COMPLIANT.

CORRECTED, ROT SPEC EC NO: G1 DRW: MATHRODAHL 2009/01/16 CHKD: JMACNEIL 2010/03/01 APPR:	QUALITY SYMBOLS	GENERAL TOLERANCES (UNLESS SPECIFIED)	DIMENSION STYLE	SCALE	DESIGN UNITS	THIRD ANGLE PROJECTION	
	▽=0 ▽7=0	mm INCH	IN/MM	INCH	INCH		
		4 PLACES ± --- ± --- 3 PLACES ± --- ± --- 2 PLACES ± --- ± --- 1 PLACE ± --- ± ---	DRAWN BY DATE B. ENDERLE 02/14/02 CHECKED BY DATE H. BIETZEL 02/14/02 APPROVED BY DATE R. DEROSS 02/14/02	TITLE	KRIMPTITE WIRE PIN TERMINALS 22-18, 16-14, 12-10 AWG		
		ANGULAR ± ---°	MATERIAL NO. SEE CHART	DOCUMENT NO. SD-19211-002	MOLEX INCORPORATED		
	DRAFT WHERE APPLICABLE MUST REMAIN WITHIN DIMENSIONS	SIZE B	THIS DRAWING CONTAINS INFORMATION THAT IS PROPRIETARY TO MOLEX INCORPORATED AND SHOULD NOT BE USED WITHOUT WRITTEN PERMISSION				
						SHEET NO. 1 OF 1	