

PLEASE CHECK WWW.MOLEX.COM FOR LATEST PART INFORMATION

Part Number: **0191640308**
Status: **Active**
Description: Perma-Seal™ Ring Tongue Terminal for 14-16 AWG Wire, Stud Size 1/4, Mylar Tape Carrier

Documents:

[Drawing \(PDF\)](#) [RoHS Certificate of Compliance \(PDF\)](#)

Agency Certification

CSA LR18689
 UL E32244

General

Product Family Ring and Spade Terminals
 Series [19164](#)
 Crimp Quality Equipment Yes
 Mil-Spec N/A
 Product Name Perma-Seal™
 Type Ring

Physical

Barrel Type Closed
 Flammability 94V-2
 Insulation NiAc™
 Material - Plating Mating Tin
 Packaging Type Adhesive Tape on Reel
 Stud Size 1/4" (M6)
 Wire Insulation Diameter 5.97mm (.235")
 Wire Size AWG 14, 16
 Wire Size mm² 1.23 - 1.94

Material Info

Old Part Number SB-225-14T

Reference - Drawing Numbers

Sales Drawing SD-19164-026



Series image - Reference only

EU RoHS

ELV and RoHS Compliant
REACH SVHC
 Not Reviewed
Halogen-Free Status
 Not Reviewed

China RoHS



Need more information on product environmental compliance?

Email productcompliance@molex.com
 For a multiple part number RoHS Certificate of Compliance, [click here](#)

Please visit the [Contact Us](#) section for any non-product compliance questions.

Search Parts in this Series

[19164Series](#)

Application Tooling | [FAQ](#)

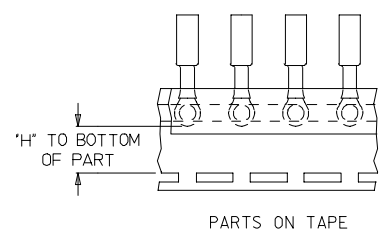
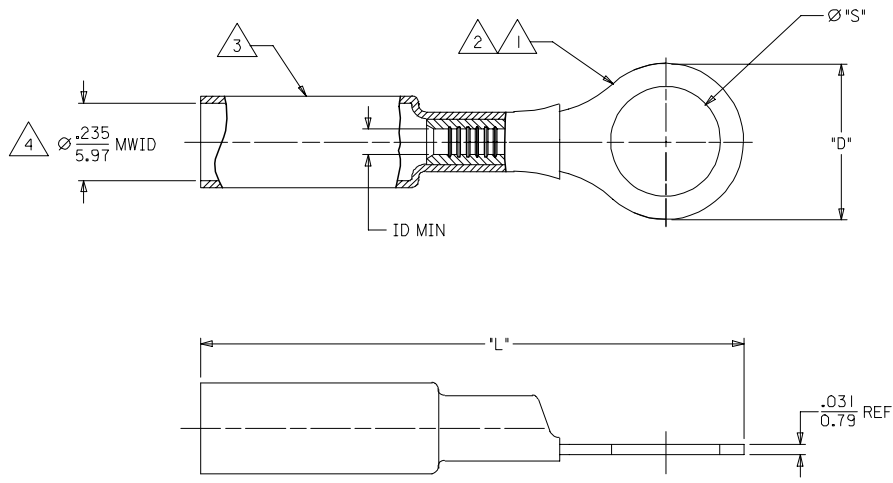
Tooling specifications and manuals are found by selecting the products below. Crimp Height Specifications are then contained in the Application Tooling Specification document.

Global

Description	Product #
Power Crimp Tool Head for Prema-Seal™ Terminals 10-22 AWG	0640057400
ATP Perishable Tool Kit Used in ATP Presses that Process Product on Tape	0198082012
Hand Crimp Tool, UL Approved	0640017400

PLEASE CHECK WWW.MOLEX.COM FOR LATEST PART INFORMATION

	13	12	11	10	9	8	7	6	5	4	3	2	1
	MATERIAL NUMBER	ENGINEERING NUMBER	MATERIAL NUMBER ON TAPE	ENGINEERING NUMBER ON TAPE	STUD SIZE	"S" ±.005/0.03	"D" MAX	"H" ±.010/0.25	"L" MAX	ID MIN			
J	191640031	SB-237-04	191640941	SB-237-04T	#4	.119/3.02	.320/8.17	.527/13.39	1.45/36.8	.082/2.08			
	191640032	SB-237-06	191640310	SB-237-06T	#6	.146/3.71	.320/8.17	.527/13.39	1.45/36.8	.082/2.08			
	191640033	SB-237-08	191640311	SB-237-08T	#8	.173/4.39	.320/8.17	.527/13.39	1.45/36.8	.082/2.08			
	191640034	SB-237-10	191640312	SB-237-10T	#10	.198/5.03	.320/8.17	.527/13.39	1.45/36.8	.082/2.08			
I	191640025	SB-225-10	191640940	SB-225-10T	#10	.198/5.03	.475/12.07	.338/8.59	1.63/41.4	.153/3.89			
	191640026	SB-225-14	191640308	SB-225-14T	1/4	.265/6.73	.475/12.07	.338/8.59	1.63/41.4	.153/3.89			
	191640027	SB-225-56	191640309	SB-225-56T	5/16	.328/8.33	.475/12.07	.338/8.59	1.63/41.4	.153/3.89			
	191640020	SB-218-38	191640307	SB-218-38T	3/8	.390/9.91	.475/12.07	.340/8.64	1.63/41.4	.153/3.89			



NOTE:

- 1. TERMINAL MATERIAL: COPPER ALLOY
- 2. FINISH: ELECTRO TIN PLATE.
- 3. INSULATION MATERIAL: HEAT SHRINKABLE TUBING WITH HOTMELT ADHESIVE INNER LINER. COLOR: BLUE
- 4. MWID = MAXIMUM WIRE INSULATION DIAMETER.

SALES DRAWING

REVISED TITLE BLOCK EC NO: ETC2006-0017 DRW: SHADECK 2005/07/25 CHK: RDEROSS 2005/07/26 APPR: RDEROSS 2005/07/27 REVISIONS	QUALITY SYMBOLS $\nabla=0$ $\nabla=0$	GENERAL TOLERANCES (UNLESS SPECIFIED)	DIMENSION STYLE IN/MM	SCALE ---	DESIGN UNITS INCH	THIRD ANGLE PROJECTION	
		mm INCH	DRAWN BY BENDERLE	DATE 2002/08/26	TITLE RING TONGUE TERMINAL PERMA-SEAL NIAC 16-14 AWG		
		4 PLACES ± --- ± --- 3 PLACES ± --- ± --- 2 PLACES ± --- ± --- 1 PLACE ± --- ± ---	CHECKED BY HBEITZEL	DATE 2002/08/26			
		ANGULAR ± --- °	APPROVED BY RDEROSS	DATE 2002/08/26	MATERIAL NO. SEE CHART	DOCUMENT NO. SD-19164-026	SHEET NO. 1 OF 1
DRAFT WHERE APPLICABLE MUST REMAIN WITHIN DIMENSIONS		THIS DRAWING CONTAINS INFORMATION THAT IS PROPRIETARY TO MOLEX INCORPORATED AND SHOULD NOT BE USED WITHOUT WRITTEN PERMISSION					