

DATA SHEET

P42/29

P cores and accessories

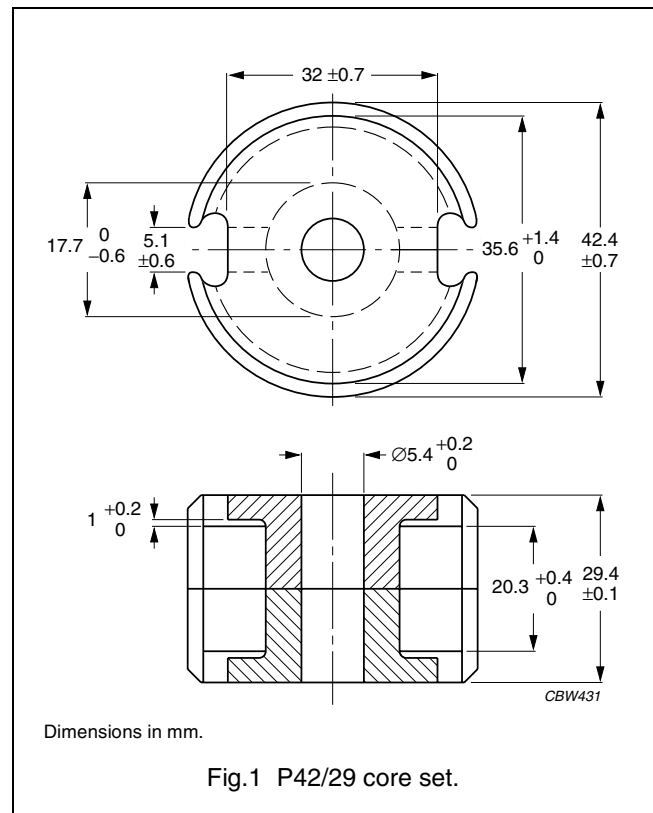
Supersedes data of September 2004

2008 Sep 01

CORE SETS

Effective core parameters

SYMBOL	PARAMETER	VALUE	UNIT
$\Sigma(l/A)$	core factor (C1)	0.259	mm ⁻¹
V_e	effective volume	18200	mm ³
l_e	effective length	68.6	mm
A_e	effective area	265	mm ²
A_{min}	minimum area	214	mm ²
m	mass of set	≈104	g



Core sets for general purpose transformers and power applications

Clamping force for A_L measurements, 550 ± 100 N.

GRADE	A_L (nH)	μ_e	TOTAL AIR GAP (μm)	TYPE NUMBER
3C81	315 ± 3%	≈ 65	≈ 1320	P42/29-3C81-E315
	400 ± 3%	≈ 82	≈ 990	P42/29-3C81-E400
	630 ± 3%	≈ 130	≈ 580	P42/29-3C81-A630
	1000 ± 3%	≈ 206	≈ 340	P42/29-3C81-A1000
	1600 ± 5%	≈ 330	≈ 190	P42/29-3C81-A1600
	11500 ± 25%	≈ 2370	≈ 0	P42/29-3C81
3C91 des	11500 ± 25%	≈ 2370	≈ 0	P42/29-3C91
3F3	315 ± 3%	≈ 65	≈ 1320	P42/29-3F3-E315
	400 ± 3%	≈ 82	≈ 990	P42/29-3F3-E400
	630 ± 3%	≈ 130	≈ 580	P42/29-3F3-A630
	1000 ± 3%	≈ 206	≈ 340	P42/29-3F3-A1000
	1600 ± 5%	≈ 330	≈ 190	P42/29-3F3-A1600
	7700 ± 25%	≈ 1590	≈ 0	P42/29-3F3

Core sets of high permeability gradesClamping force for A_L measurements, 550 ± 100 N.

GRADE	A_L (nH)	μ_e	AIR GAP (μm)	TYPE NUMBER
3E27	$19000 \pm 25\%$	≈ 3910	≈ 0	P42/29-3E27

Properties of core sets under power conditions

GRADE	B (mT) at	CORE LOSS (W) at			
	H = 250 A/m; f = 25 kHz; T = 100 °C	f = 25 kHz; $\hat{B} = 200$ mT; T = 100 °C	f = 100 kHz; $\hat{B} = 100$ mT; T = 100 °C	f = 100 kHz; $\hat{B} = 200$ mT; T = 100 °C	f = 400 kHz; $\hat{B} = 50$ mT; T = 100 °C
3C81	≥ 320	≤ 4.2	–	–	–
3C91	≥ 315	–	$\leq 0.9^{(1)}$	$\leq 7.0^{(1)}$	–
3F3	≥ 315	–	≤ 2.0	–	≤ 3.5

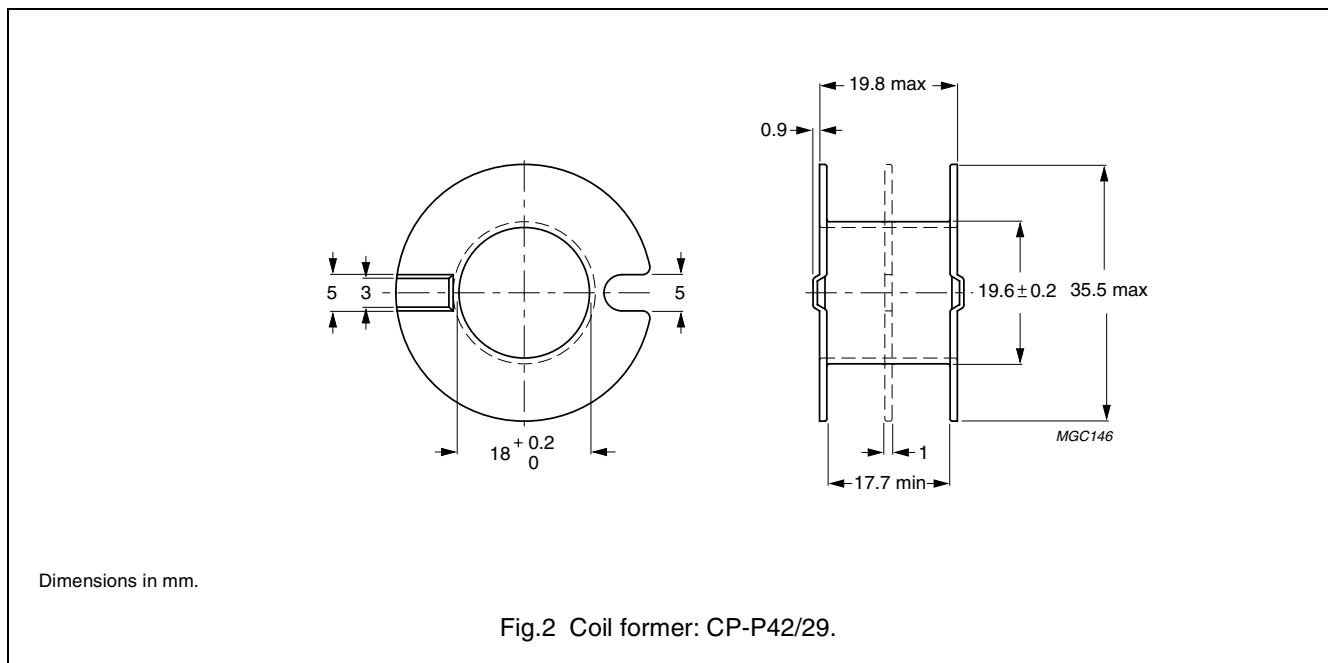
Note

1. Measured at 60 °C.

COIL FORMERS

General data CP-P42/29 coil former

PARAMETER	SPECIFICATION
Coil former material	polyamide (PA6.6), glass reinforced, flame retardant in accordance with "UL 94V-0"; UL file number E41938
Maximum operating temperature	130 °C, "IEC 60085", class B



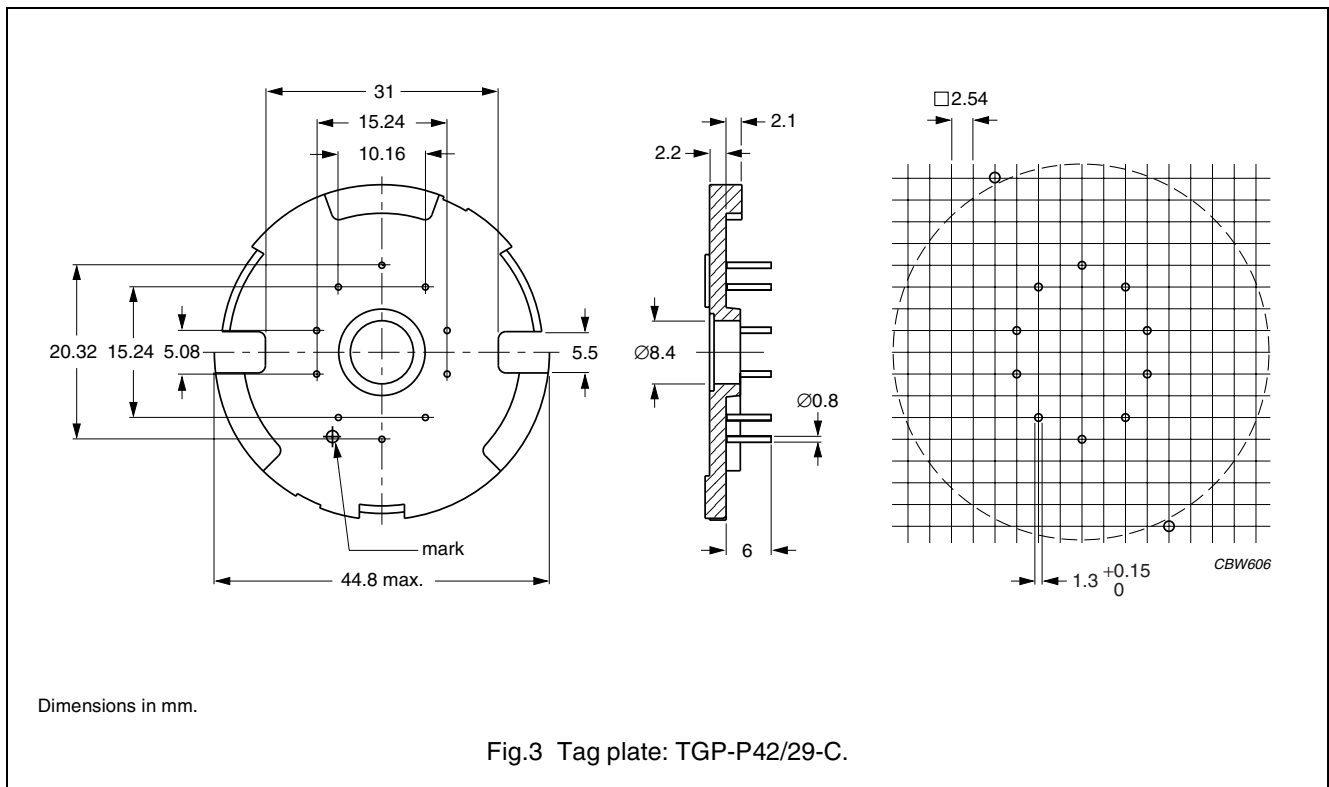
Winding data and area product for CP-P42/29 coil former

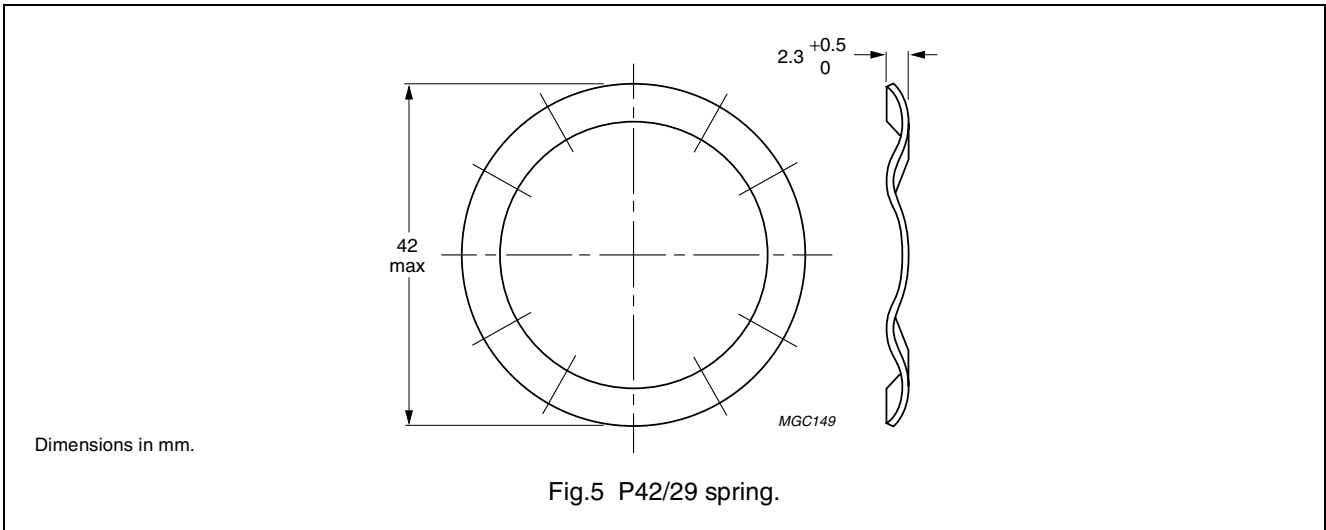
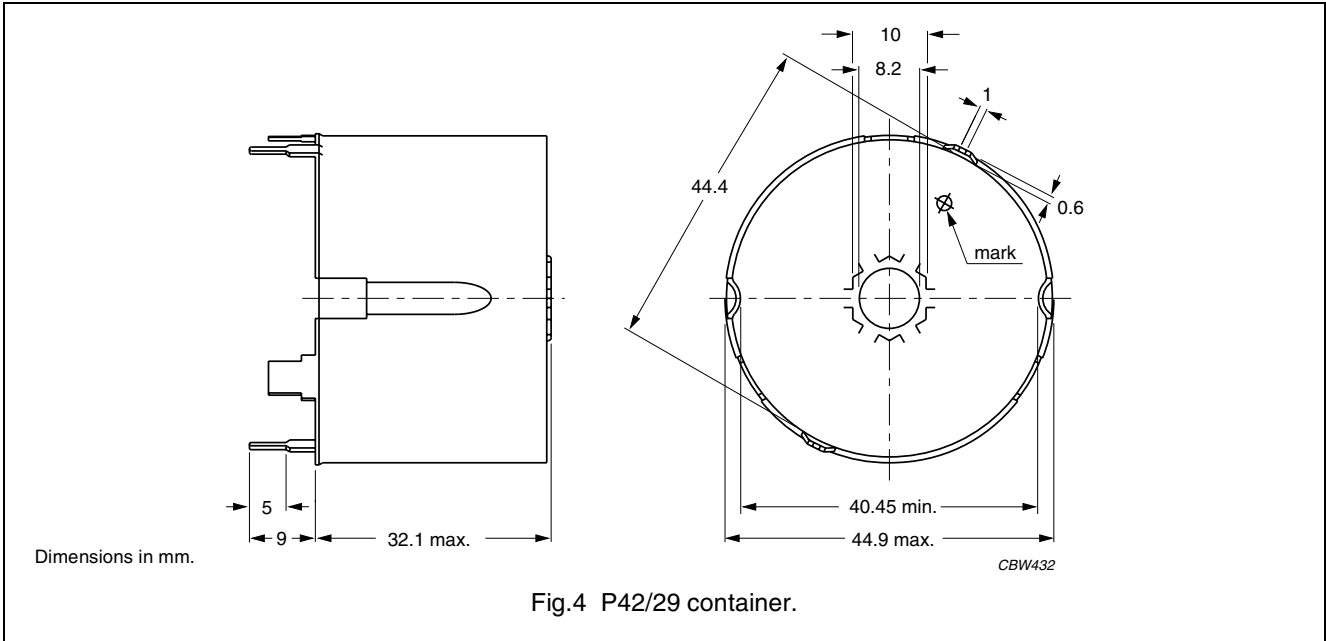
NUMBER OF SECTIONS	WINDING AREA (mm ²)	MINIMUM WINDING WIDTH (mm)	AVERAGE LENGTH OF TURN (mm)	AREA PRODUCT Ae x Aw (mm ⁴)	TYPE NUMBER
1	140	17.8	86	37100	CP-P42/29-1S-C
2	2 x 63	2 x 8	86	2 x 16700	CP-P42/29-2S-C

MOUNTING PARTS

General data and ordering information

ITEM	REMARKS	FIGURE	TYPE NUMBER
Tag plate	material: phenolformaldehyde (PF), glass reinforced	3	TGP-P42/29-C
	flame retardant: in accordance with "UL 94V-0"; UL file number E41429		
	maximum operating temperature: 180 °C, "IEC 60085", class H		
	pins: copper-tin alloy (CuSn), tin (Sn) plated		
	resistance to soldering heat in accordance with "IEC 60068-2-20", Part 2, Test Tb, method 1B: 350 °C, 3.5 s		
	solderability in accordance with "IEC 60068-2-20", Part 2, Test Ta, method 1: 235 °C, 2 s		
Container	copper-zinc alloy (CuZn), tin (Sn) plated	4	CON-P42/29
	earth pins: presoldered		
Spring	CrNi-steel	5	SPR-P42/29
	spring force: ≈350 N when mounted		








DATA SHEET STATUS DEFINITIONS

DATA SHEET STATUS	PRODUCT STATUS	DEFINITIONS
Preliminary specification	Development	This data sheet contains preliminary data. Ferroxcube reserves the right to make changes at any time without notice in order to improve design and supply the best possible product.
Product specification	Production	This data sheet contains final specifications. Ferroxcube reserves the right to make changes at any time without notice in order to improve design and supply the best possible product.

DISCLAIMER

Life support applications — These products are not designed for use in life support appliances, devices, or systems where malfunction of these products can reasonably be expected to result in personal injury. Ferroxcube customers using or selling these products for use in such applications do so at their own risk and agree to fully indemnify Ferroxcube for any damages resulting from such application.

PRODUCT STATUS DEFINITIONS

STATUS	INDICATION	DEFINITION
Prototype		These are products that have been made as development samples for the purposes of technical evaluation only. The data for these types is provisional and is subject to change.
Design-in		These products are recommended for new designs.
Preferred		These products are recommended for use in current designs and are available via our sales channels.
Support		These products are not recommended for new designs and may not be available through all of our sales channels. Customers are advised to check for availability.