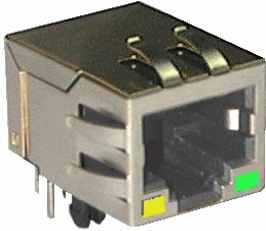


SINGLE RJ45 CONNECTOR MODULE WITH INTEGRATED 10/100 BASE-TX MAGNETICS AND LEDS

P/N: LU1T041R-34

Page: 1/2

Feature



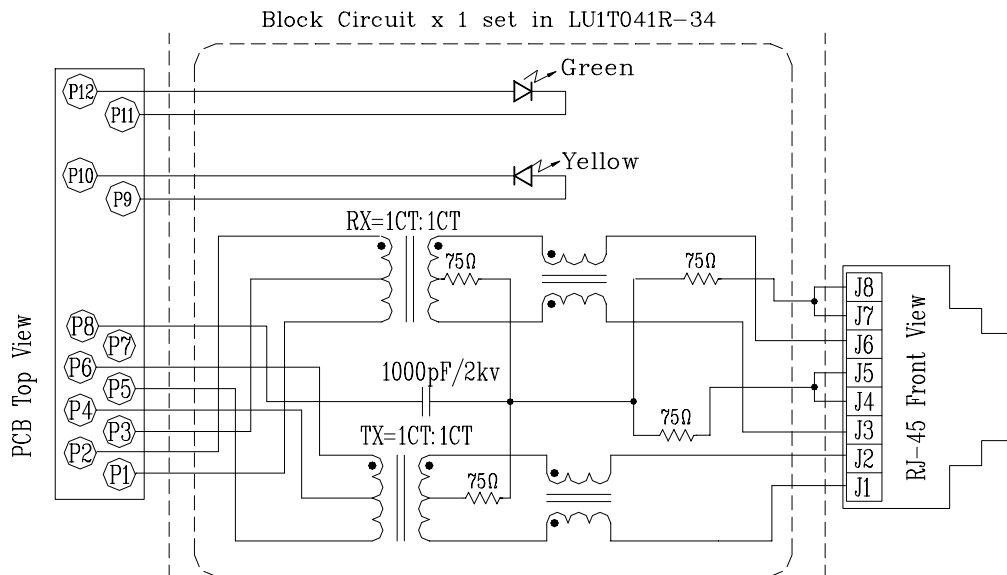
- Operating temperature range: 0°C to +70°C.
- Storage temperature range: -25°C to +85°C
- Recommended panel

Part Number	Standard LED	Forward*V(Max)	(TYP)
3	YELLOW	2.6V	2.1V
4	GREEN	2.6V	2.2V

*with a forward current of 20mA

Electrical Specifications @ 25°C											
Part Number	Turns Ratio (±3%) TX/ RX	OCL (uH Min) @ 100 KHz/0.1V with 8mA DC Bias				C _{www} (pF Max)	L.L (uH Max)	Rise Time (10-90%) nS Max	Insertion Loss (dB Max)		HI-POT (Vrms)
									0.3-100MHz		
LU1T041R-34	1CT:1CT	350				28	0.5	2.5	-1.15		1500
Continue											
Part Number	Return Loss (dB Min)					Cross talk (dB Min)			CMR (dB Min)		
	30MHz	40MHz	50MHz	60MHz	80MHz	0.3-30MHz	30-60MHz	60-100MHz	1-30MHz	30-60MHz	60-125MHz
LU1T041R-34	-16	-14	-13.5	-13	-10	-40	-35	-30	-30	-25	-20

Schematic

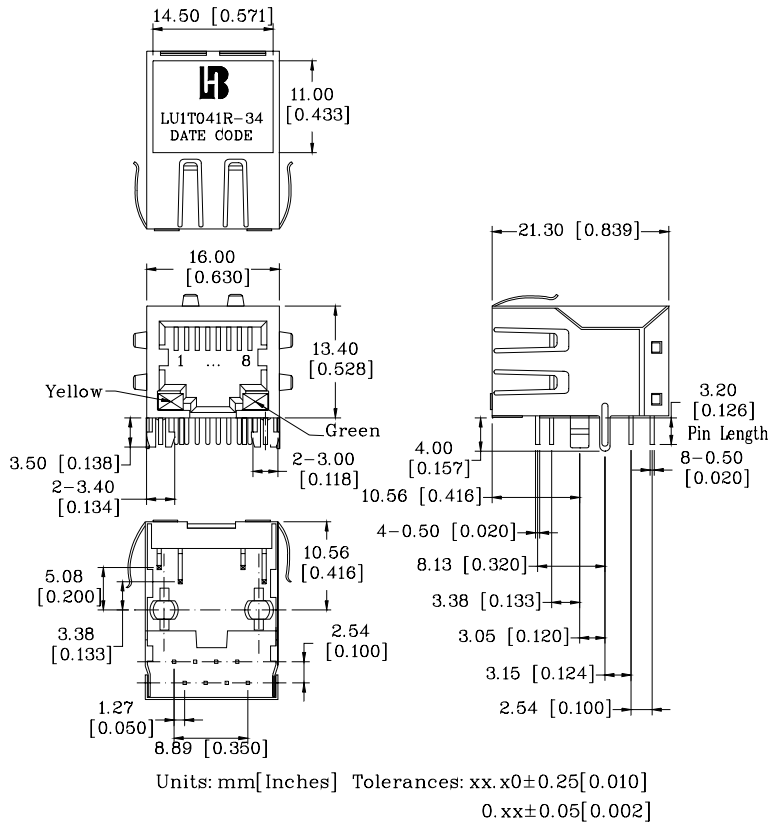


SINGLE RJ45 CONNECTOR MODULE WITH INTEGRATED 10/100 BASE-TX MAGNETICS AND LEDS

P/N: LU1T041R-34

Page: 2/2

Mechanical



1. Plastic Material : PBT 15% Glass Filled(UL 94V-0), Black Housing
2. Metal Shield : Brass C2680-H, 20u Nickel Plated, t=0.25mm
3. Spring Wire : 0.45mm Dia. Phosphor bronze with 6u gold plated
4. Solder Pin : 0.4x0.4mm, Phosphor bronze with solder Plated
5. Durability : 300 Mating cycles Min.

PCB Layout Mounting Hole(Top View)

