

PLEASE CHECK WWW.MOLEX.COM FOR LATEST PART INFORMATION

Part Number: [0505417125](#)
Status: **Active**
Description: Ring Tongue Terminal for 1/0 AWG, Closed Uninsulated Brazed Barrel, Stud Size 5/16" (M8), Oxygen-Free Copper, Length 49.70mm (1.957")

Documents:

[Drawing \(PDF\)](#) [RoHS Certificate of Compliance \(PDF\)](#)
[Product Specification PS-50541-002 \(PDF\)](#)

General

Product Family	Ring and Spade Terminals
Series	50541
Crimp Quality Equipment	Yes
Mil-Spec	N/A
Product Name	R (Ring)
Type	Ring

Physical

Barrel Type	Closed - Brazed
Insulation	None
Material - Plating Mating	Tin
Packaging Type	Bag
Stud Size	5/16" (M8)
Wire Size AWG	1
Wire Size mm ²	42.42 - 60.57

Material Info

Reference - Drawing Numbers

Product Specification	PS-50541-002
Sales Drawing	SD-50541-001



image - Reference only

Series

EU RoHS

ELV and RoHS Compliant

REACH SVHC

Not Reviewed

Halogen-Free

Status

Not Reviewed

China RoHS



Need more information on product environmental compliance?

Email productcompliance@molex.com
 For a multiple part number RoHS Certificate of Compliance, [click here](#)

Please visit the [Contact Us](#) section for any non-product compliance questions.

Search Parts in this Series

[50541Series](#)

Application Tooling | FAQ

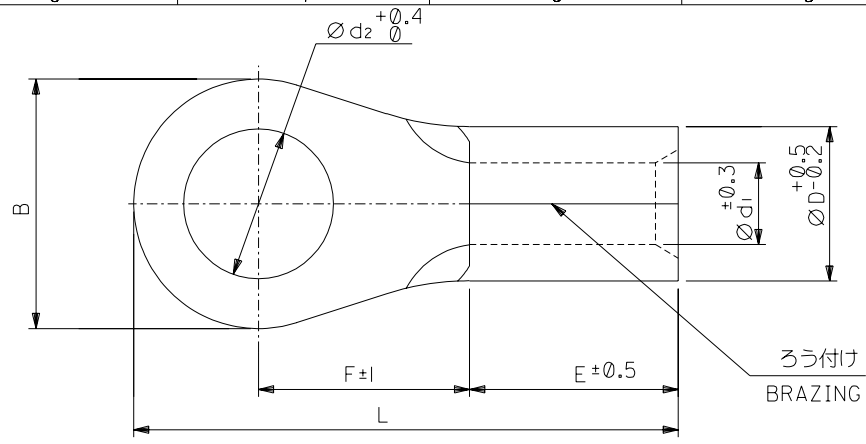
Tooling specifications and manuals are found by selecting the products below. Crimp Height Specifications are then contained in the Application Tooling Specification document.

Japan

Description	Product #
Tool Kit For 57343-9012	0573439001
Battery Type Hand Crimper For JIS Terminal	0573439004

DO NOT SCALE DRAWING

DWG. NO. SD-50541-001

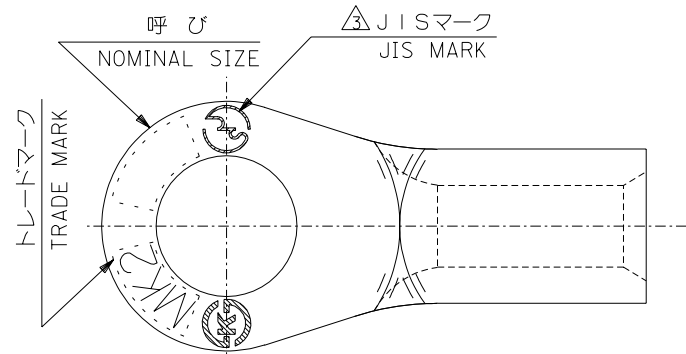
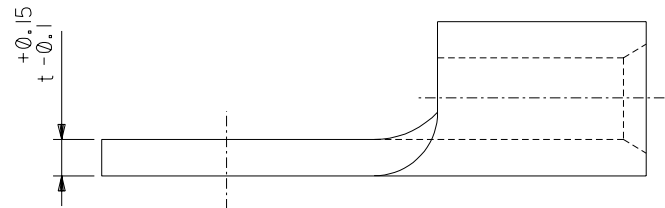


注記 NOTES

- 材質 MATERIAL
 端子: 無酸素銅、スズメッキ
 TERMINAL: OXYGEN FREE COPPER, TIN PLATING
 ろう付け部: りん銅ろう
 PART OF BRAZING: COPPER PHOSPHORUS BRAZING FILLER METALS
- 適用電線 APPLICABLE WIRE RANGE

単線 SOLID WIRE	撚線 STRANDED WIRE
7.34-8.26 mm	42.42-60.57 mm ²

△ JIS認定品にのみ刻印。
 DIE STAMPED MARK IS ALLOWED ONLY FOR JIS FILED PRODUCTS.



		25							24	50541-7925
		21						32±0.6	20	50541-7825
		19	+0.5	23.5				32±0.5	18	-7725
		17	-1.2						16	-7625
JIS	2	15	57.5					32±0.3	14	-7525
JIS		13		18	11.4	15.5		22±0.3	12	-7425
		11.5	+0.3						11	-7325
JIS		10.5	-1.2	20.7					10	-7225
JIS		8.4							8	-7125
		6.4							6	50541-7025
△	t	d2	L	F	E	d1	D	B	呼び NOMINAL SIZE	MATERIAL NO.

64 NO. DRWN: CH'K: APPR:	63 NO. DRWN: CH'K: APPR:	62 NO. DRWN: CH'K: APPR:	61 NO. DRWN: CH'K: APPR:
RELEASED			
60 NO. J2003-1905 DRWN: T.KAIHO 03/01/17 CH'K: T.ITO APPR: T.O.YAMAGUCHI			
0 REV			

MATERIAL 材料 注記参照 SEE NOTES	FINISH 仕上げ 注記参照 SEE NOTES	WIRE RANGE 適用電線範囲 —	INS. RANGE 被覆外径 —
-------------------------------------	------------------------------------	---------------------------	-------------------------

GENERAL TOLERANCES: (UNLESS SPECIFIED) 一般公差 10 UNDER 未満 30 UNDER 未満 30 OVER 以上 ANGLE 角度	±0.2 ±0.25 ±0.3 *3°
---	------------------------------

SCALE 1:1 DESIGN UNITS <input checked="" type="checkbox"/> mm <input type="checkbox"/> INCH DRAWN BY & DATE T.KAIHO 03/01/17 CHECKED BY & DATE T.ITO 03/01/17 APPROVED BY & DATE T.YAMAGUCHI 03/01/17 CAD FILENAME SD50541001.S01
--

MODEL NO. 50541-7*25 DIMENSIONS: <input type="checkbox"/> mm <input type="checkbox"/> INCH <input checked="" type="checkbox"/> mm <input type="checkbox"/> INCH PROJECTION 2D SHT REV 2D 1 CAD ONLY	TITLE: RING TERMINAL(銅線用裸圧着端子)	MOLEX MOLEX INCORPORATED	MATERIAL NO. SEE CHART	DRAWING NO. SD-50541-001	SHEET NO. 1 OF 1
--	-----------------------------------	-----------------------------	---------------------------	-----------------------------	---------------------

THIS DRAWING CONTAINS INFORMATION THAT IS PROPRIETARY TO MOLEX INCORPORATED AND SHOULD NOT BE USED WITHOUT WRITTEN PERMISSION.

SD5054100.S01