

PLEASE CHECK WWW.MOLEX.COM FOR LATEST PART INFORMATION

Part Number: **0502247412**
Status: **Active**
Description: Ring Tongue Terminal for 16-22 AWG, Closed Uninsulated Brazed Barrel, Stud Size 10 (M5), Oxygen-Free Copper, Length 15.70mm (.618")

Documents:

[Drawing \(PDF\)](#) [RoHS Certificate of Compliance \(PDF\)](#)
[Product Specification PS-50224-001 \(PDF\)](#)

Agency Certification

UL E134962

General

Product Family Ring and Spade Terminals
 Series 50224
 Crimp Quality Equipment Yes
 Mil-Spec N/A
 Product Name R (Ring)
 Type Ring

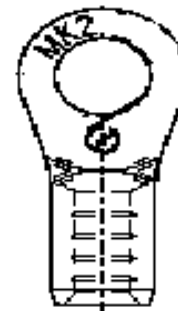
Physical

Barrel Type Closed - Brazed
 Insulation None
 Material - Plating Mating Tin
 Packaging Type Bag
 Plating min: Mating (µin) 40
 Plating min: Mating (µm) 1
 Plating min: Termination (µin) 40
 Plating min: Termination (µm) 1
 Stud Size 10 (M5)
 Termination Interface: Style Crimp or Compression
 Wire Size AWG 16, 18, 20, 22
 Wire Size mm² 0.25 - 1.65

Material Info

Reference - Drawing Numbers

Product Specification PS-50224-001
 Sales Drawing SD-50224-001



Series

image - Reference only

EU RoHS

ELV and RoHS Compliant
REACH SVHC
 Not Reviewed
Halogen-Free Status
Not Reviewed

China RoHS



Need more information on product environmental compliance?

Email productcompliance@molex.com
 For a multiple part number RoHS Certificate of Compliance, [click here](#)

Please visit the [Contact Us](#) section for any non-product compliance questions.

Search Parts in this Series

50224Series

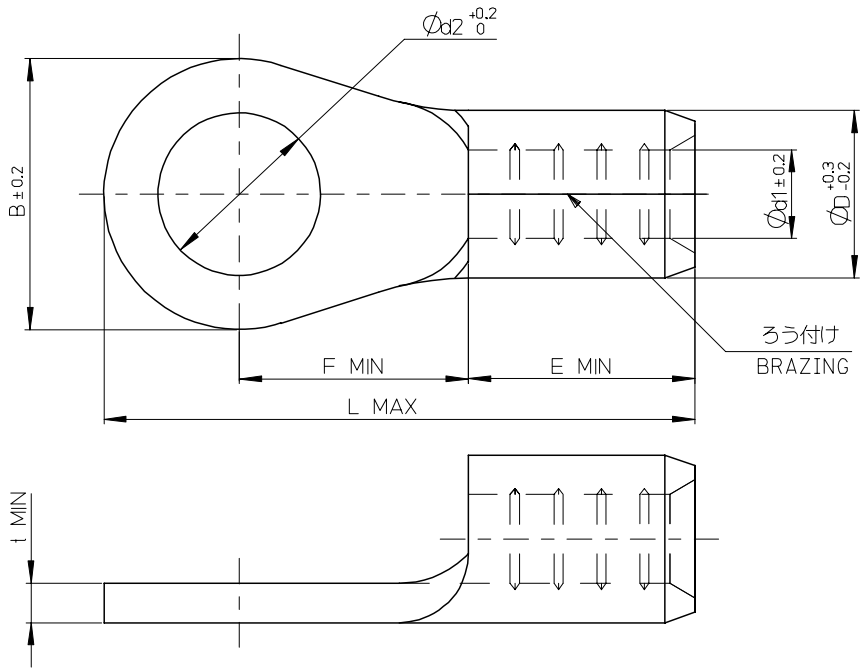
Application Tooling | FAQ

Tooling specifications and manuals are found by selecting the products below. Crimp Height Specifications are then contained in the Application Tooling Specification document.

Japan

Description	Product #
Hand Crimper For JIS Terminal	0572575000
Hand Crimper For JIS Terminal	0573435002
Air Type Hand Crimper For JIS Terminal	0573439005

10 9 8 7 6 5 4 3 2 1

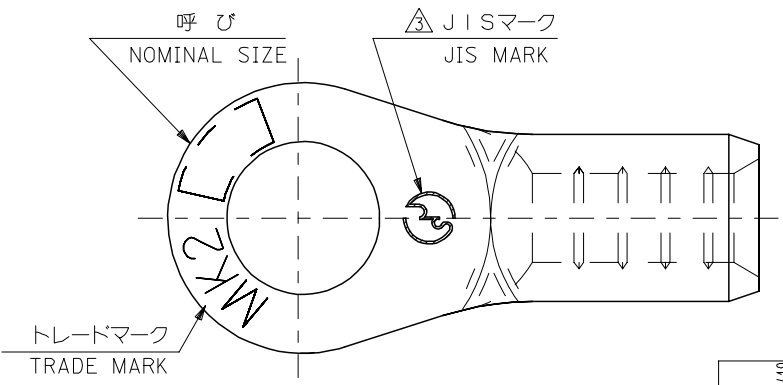


注記 NOTES

- 1 材質 MATERIAL
 端子：無酸素銅、スズメッキ
 TERMINAL: OXYGEN FREE COPPER, TIN PLATING
 ろう付け部：りん銅ろう
 PART OF BRAZING : COPPER PHOSPHORUS BRAZING FILLER METALS
- 2 適用電線 APPLICABLE WIRE RANGE

単線 SOLID WIRE	撚線 STRANDED WIRE
0.57 - 1.44 mm	0.25 - 1.65 mm ²

⊠ JIS認定品に刻印。
 DIE STAMPED MARK IS ALLOWED
 FOR JIS FILED PRODUCTS.



JIS	0.7	5.3	16	7	4.1	1.7	3.4	8	1.25	5	50224-7413						
JIS		4.3		6						4	50224-7412						
JIS		3.7		5						3.5	50224-7313						
JIS	⊠	t	φd2	L	F	E	φd1	φD	B	呼び NOMINAL SIZE	MATERIAL NO.						
JIS												3.2	12.5	4	5.5	3	50224-7213
JIS																	50224-7212

REVISED EC NO: J2007-1282 2006/12/19 DRW:KITO 2007/03/07 CHK:KASAHARA 2007/03/07 APPR:NUKITA 2007/03/08	GENERAL TOLERANCES (UNLESS SPECIFIED)		DIMENSION STYLE MM ONLY		SCALE ---	DESIGN UNITS METRIC	THIRD ANGLE PROJECTION		
	10 UNDER	± ---	DRAWN BY T. KAIHO		DATE 2003/04/08		TITLE RING TERMINAL		
	10 OVER 30 UNDER	± ---	CHECKED BY T. ITO		DATE 2003/04/08		APPROVED BY T. YAMAGUCHI		
	30 OVER	± ---	APPROVED BY T. YAMAGUCHI		DATE 2003/04/08		MATERIAL NO.		
	ANGULAR	± --- °	MATERIAL NO.		DOCUMENT NO.		SHEET NO.		
DRAFT WHERE APPLICABLE MUST REMAIN WITHIN DIMENSIONS		SEE CHART		SD-50224-001		1 OF 1			
THIS DRAWING CONTAINS INFORMATION THAT IS PROPRIETARY TO MOLEX INCORPORATED AND SHOULD NOT BE USED WITHOUT WRITTEN PERMISSION									