

**PLEASE CHECK WWW.MOLEX.COM FOR LATEST PART INFORMATION**

**Part Number:** [5010443010](#)  
**Status:** **Active**  
**Description:** 0.40mm (.016") Pitch Wire-to-Board PCB Receptacle, Right Angle, 30 Circuits

**Documents:**

[3D Model](#) [Product Specification PS-501044-001 \(PDF\)](#)  
[Drawing \(PDF\)](#) [RoHS Certificate of Compliance \(PDF\)](#)

**General**

Product Family	PCB Receptacles
Series	501044
Application	Wire-to-Board
Product Name	N/A

**Physical**

Circuits (Loaded)	30
Color - Resin	Black
Durability (mating cycles max)	10
Glow-Wire Compliant	No
Lock to Mating Part	Yes
Material - Metal	Phosphor Bronze, Stainless Steel
Material - Plating Mating	Gold
Material - Plating Termination	Gold
Material - Resin	High Temperature Thermoplastic
Number of Rows	1
Orientation	Right Angle
PCB Locator	No
PCB Retention	Yes
Packaging Type	Embossed Tape on Reel
Pitch - Mating Interface (in)	0.016 In
Pitch - Mating Interface (mm)	0.40 mm
Polarized to Mating Part	Yes
Polarized to PCB	Yes
Temperature Range - Operating	-30°C to +75°C
Termination Interface: Style	Surface Mount

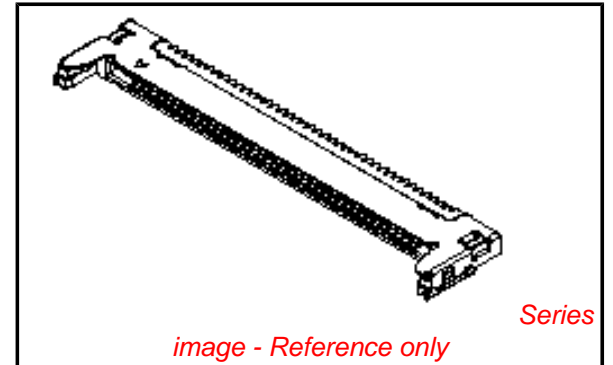
**Electrical**

Current - Maximum per Contact	0.2A
Voltage - Maximum	30V AC (RMS)/DC

**Material Info**

**Reference - Drawing Numbers**

Packaging Specification	SPK-501044-001
Product Specification	PS-501044-001, RPS-501044-006, RPS-501044-007
Sales Drawing	SD-501044-001, SD-501044-002



*image - Reference only*

**EU RoHS**

**ELV and RoHS  
Compliant**  
**REACH SVHC**  
 Not Reviewed  
**Halogen-Free  
Status**  
 Not Reviewed

**China RoHS**



**Need more information on product  
environmental compliance?**

Email [productcompliance@molex.com](mailto:productcompliance@molex.com)  
 For a multiple part number RoHS Certificate of  
 Compliance, [click here](#)

Please visit the [Contact Us](#) section for any  
 non-product compliance questions.

**Search Parts in this Series**

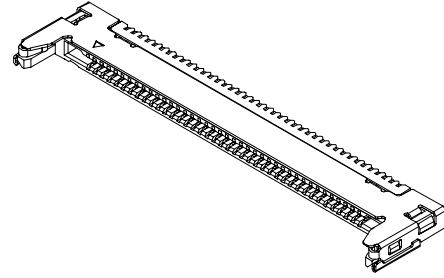
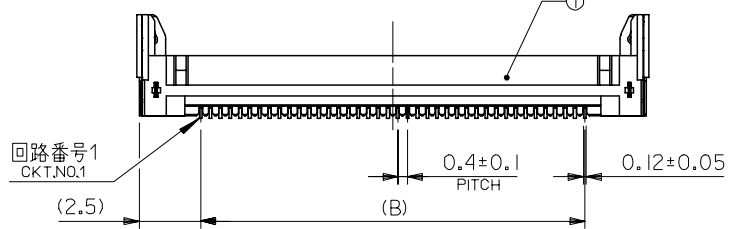
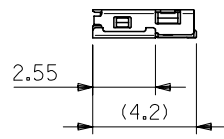
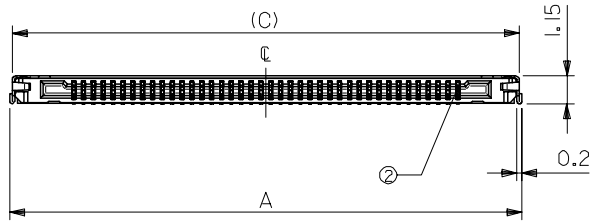
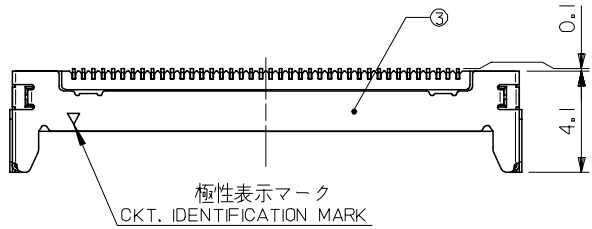
501044Series

**Mates With**

Contact Molex for mating plug harness  
 details

10 9 8 7 6 5 4 3 2 1

番号 NO.	部品 PART NAME	材料/仕上げ MATERIAL/ FINISH
①	ハウジング HOUSING	ガラス入り耐熱樹脂、黒色、UL94V-0 G.F.HEAT RESISTANT PLASTIC, BLACK, UL94V-0
②	ターミナル TERMINAL	銅合金 COPPER ALLOY 接点部 : 金メッキ0.2μm MIN. CONTACT AREA : GOLD 0.2μm MIN. テール部 : 金メッキ0.4μm MAX. TAIL AREA : GOLD 0.4μm MAX. 下地めっき : ニッケルメッキ1.5μm MIN. UNDER PLATING : NICKEL 1.5μm MIN.
③	シェル SHELL	ステンレス鋼 STAINLESS STEEL 半田付け処理 SOLDERABILITY IMPROVEMENT COAT (Au COAT) 下地めっき : ニッケルメッキ1.0μm MIN. UNDER PLATING : NICKEL 1.0μm MIN.



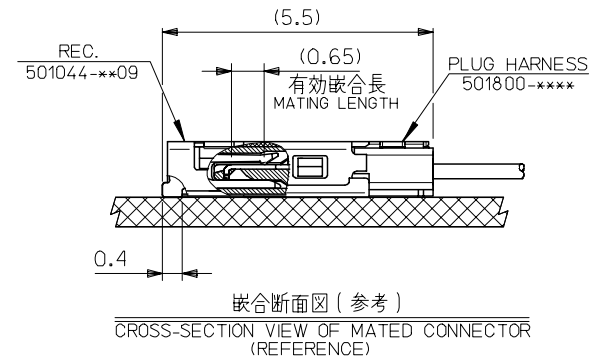
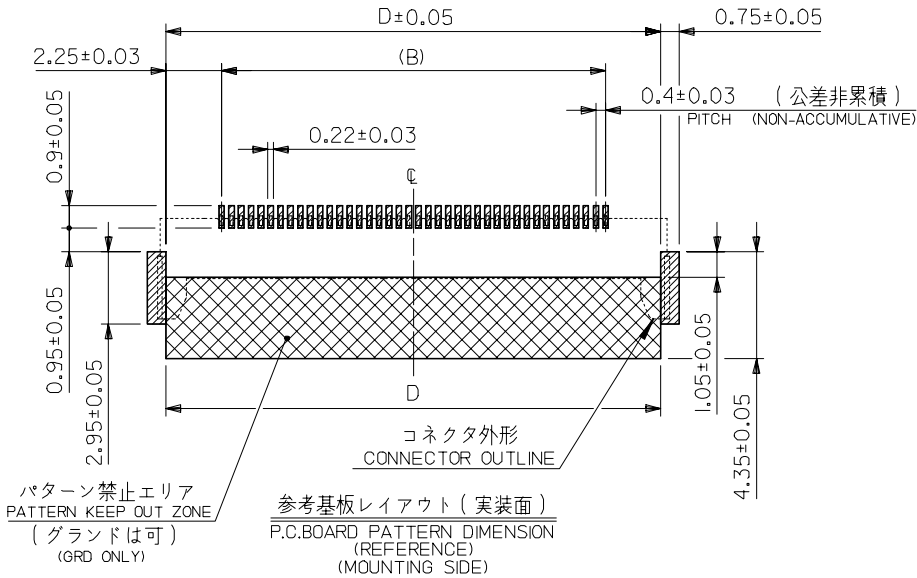
注記  
NOTES

- 1. テール及びネールの平坦度は0.1MAX.  
TAIL AND NAIL COPLANARITY TO BE 0.1MAX.

24.1	24.6	19.6	24.8	501044-5009	50
20.1	20.6	15.6	20.8	501044-4009	40
16.1	16.6	11.6	16.8	501044-3009	30
D	C	B	A	製品番号 MATERIAL NO.	極数 CKT.
				MODEL NO.	501044-**09

REVISED EC NO: J2007-1019 DRWNGYORIFUJII 2006/10/06 CHKD:TKANEKO 2006/10/06 APPR:TKANEKO 2006/10/10	GENERAL TOLERANCES (UNLESS SPECIFIED)		DIMENSION STYLE MM ONLY		SCALE 5:1	DESIGN UNITS METRIC	THIRD ANGLE PROJECTION
	10 UNDER	±0.2	DRAWN BY KTAKETOMI	DATE 2004/02/10	TITLE 0.4 WIRE TO BOARD CONN. REC. HOUSING ASSEMBLY SIDE ENTRY -LEAD FREE-		
	10 OVER 30 UNDER	±0.25	CHECKED BY TKANEKO	DATE 2004/02/10	MOLEX INCORPORATED		
	30 OVER	±0.3	APPROVED BY AHORINO	DATE 2004/02/10	MATERIAL NO.	DOCUMENT NO. SD-501044-001	SHEET NO. 1 OF 2
	ANGULAR	±3 °	DRAFT WHERE APPLICABLE MUST REMAIN WITHIN DIMENSIONS		SIZE A3	THIS DRAWING CONTAINS INFORMATION THAT IS PROPRIETARY TO MOLEX INCORPORATED AND SHOULD NOT BE USED WITHOUT WRITTEN PERMISSION	

10 9 8 7 6 5 4 3 2 1



F

E

D

C

B

A

F

E

D

C

B

A

REVISED EC NO: J2007-1019 DRWNG: RIFUJI 2006/10/06 CHKD: TKANEKO 2006/10/06 APPR: TKANEKO 2006/10/10	GENERAL TOLERANCES (UNLESS SPECIFIED)		DIMENSION STYLE MM ONLY		SCALE 5:1	DESIGN UNITS METRIC	THIRD ANGLE PROJECTION	
	10 <sup>UNDER</sup>	±0.2	DRAWN BY KTAKETOMI	DATE 2004/02/10	TITLE 0.4 WIRE TO BOARD CONN. REC. HOUSING ASSEMBLY SIDE ENTRY -LEAD FREE-			
	10 <sup>OVER</sup> 30 <sup>UNDER</sup>	±0.25	CHECKED BY TKANEKO	DATE 2004/02/10				
	30 <sup>OVER</sup>	±0.3	APPROVED BY AHORINO	DATE 2004/02/10				
	ANGULAR ±3 °		MATERIAL NO. SEE 1 OF 2		DOCUMENT NO. SD-501044-001		SHEET NO. 2 OF 2	
DRAFT WHERE APPLICABLE MUST REMAIN WITHIN DIMENSIONS		THIS DRAWING CONTAINS INFORMATION THAT IS PROPRIETARY TO MOLEX INCORPORATED AND SHOULD NOT BE USED WITHOUT WRITTEN PERMISSION						

9

8

7

6

5

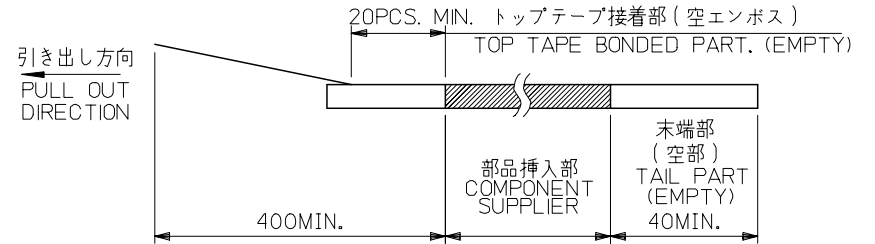
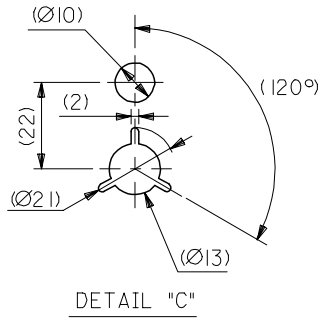
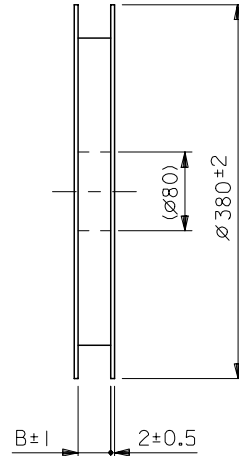
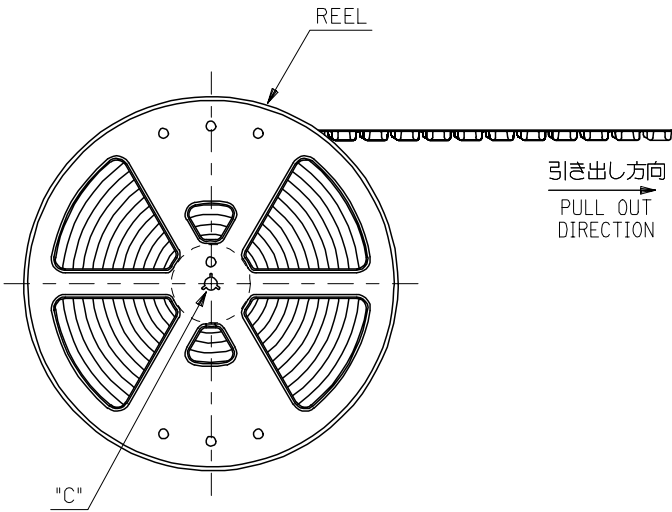
4

3

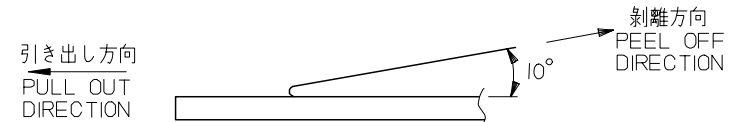
2

注記 NOTES

- 製品詳細寸法については図面 SD-501044-001 を参照下さい。  
RE DETAILED DIMENSION, SEE SD-501044-001
- 梱包数量: 3500 個/リール  
NUMBER OF CONNECTORS: 3500PCS/REEL
- リードテープ長さ LEAD TAPE LENGTH



- トップテープの剥離強度: 0.1N~0.7N(10.2gf~71.4gf)  
(剥離方向は下図参照)  
尚、本規格値は出荷時に適用。(但し、輸送時に剥離が発生しないこと。)  
PEELING OFF FORCE OF TOP TAPE: 0.1N~0.7N(10.2gf~71.4gf)  
(PEELING DIRECTION AS SHOWN IN FOLLOWING FIG.)  
THIS REQUIREMENT SHOULD BE APPLIED AT SHIPMENT.  
PEEL OFF SHOULD NOT BE ALLOWED, DURING TRANSPORTION.



- 材料 MATERIAL  
キャリアテープ (CARRIER TAPE): ホリプロビレン(POLYPROPYLENE)  
トップテープ (TOP TAPE): PET, PE, PEF  
リール (REEL): ホリスチレン (PS) <リサイクル材を含む>  
POLYSTYRENE (PS) <RECYCLE MATERIAL CONTAINED>

MODEL NO. 501044-\*\*10

REVISED EC NO: J2007-1508 DRWNGYORIFUJI 2006/11/27 CHKD:TKANEKO 2006/11/27 APPR:TKANEKO 2006/11/27	GENERAL TOLERANCES (UNLESS SPECIFIED)		DIMENSION STYLE MM ONLY		SCALE 1:1	DESIGN UNITS METRIC	THIRD ANGLE PROJECTION
	10 UNDER	± 0.2	DRAWN BY KTAKETOMI	DATE 2004/12/10	TITLE 0.4 W/B CONN. REC. HSG ASSY SIDE ENTRY EMBOSSSED TAPE PACKAGE		
	10 OVER 30 UNDER	± 0.25	CHECKED BY TKANEKO	DATE 2004/12/10	MOLEX INCORPORATED		
	30 OVER	± 0.3	APPROVED BY AHORINO	DATE 2004/12/10	DOCUMENT NO. SD-501044-002		
	ANGULAR	± 3 °	MATERIAL NO. SEE CHART		SHEET NO. 1 OF 3		
A	DRAFT WHERE APPLICABLE MUST REMAIN WITHIN DIMENSIONS		SIZE A3		THIS DRAWING CONTAINS INFORMATION THAT IS PROPRIETARY TO MOLEX INCORPORATED AND SHOULD NOT BE USED WITHOUT WRITTEN PERMISSION		

10 9 8 7 6 5 4 3 2 1

F

E

D

C

B

A

F

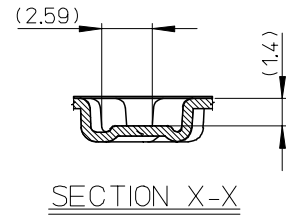
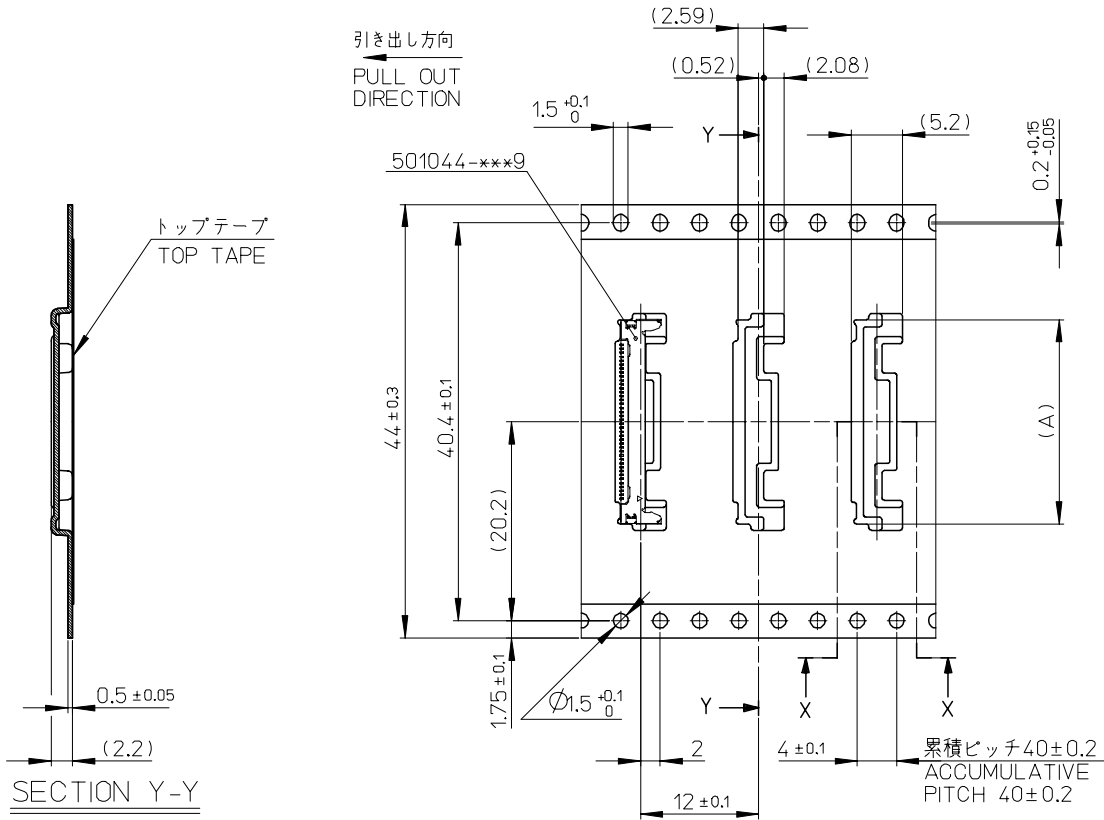
E

D

C

B

A



44mm幅キャリアテープ  
44mm WIDTH CARRIER TAPE

44	45.5	24.74	501044-5010	50
		20.74	501044-4010	40
キャリアテープ幅 CARRIER TAPE WIDTH	B	(A)	製品番号 MATERIAL NO.	極数 CKT.
			MODEL NO.	501044-**10

REVISED EC NO: J2007-1508 DRWNGYR/FUJI 2006/11/27 CHKD:TKANEKO 2006/11/27 APPR:TKANEKO 2006/11/27	GENERAL TOLERANCES (UNLESS SPECIFIED)		DIMENSION STYLE MM ONLY		SCALE 1:1	DESIGN UNITS METRIC	THIRD ANGLE PROJECTION
	10 UNDER	± 0.2	DRAWN BY KTAKETOMI	DATE 2004/12/10	TITLE 0.4 W/B CONN. REC. HSG ASSY SIDE ENTRY EMBOSSD TAPE PACKAGE		
	10 OVER 30 UNDER	± 0.25	CHECKED BY TKANEKO	DATE 2004/12/10	MOLEX INCORPORATED		
	30 OVER	± 0.3	APPROVED BY AHORINO	DATE 2004/12/10	MATERIAL NO. SEE CHART		
ANGULAR ± 3 °		DRAFT WHERE APPLICABLE MUST REMAIN WITHIN DIMENSIONS		DOCUMENT NO. SD-501044-002		SHEET NO. 2 OF 3	

9

8

7

6

5

4

3

2

10 9 8 7 6 5 4 3 2 1

F

E

D

C

B

A

F

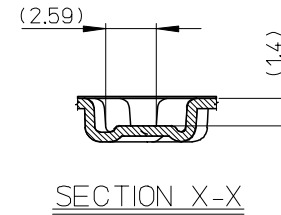
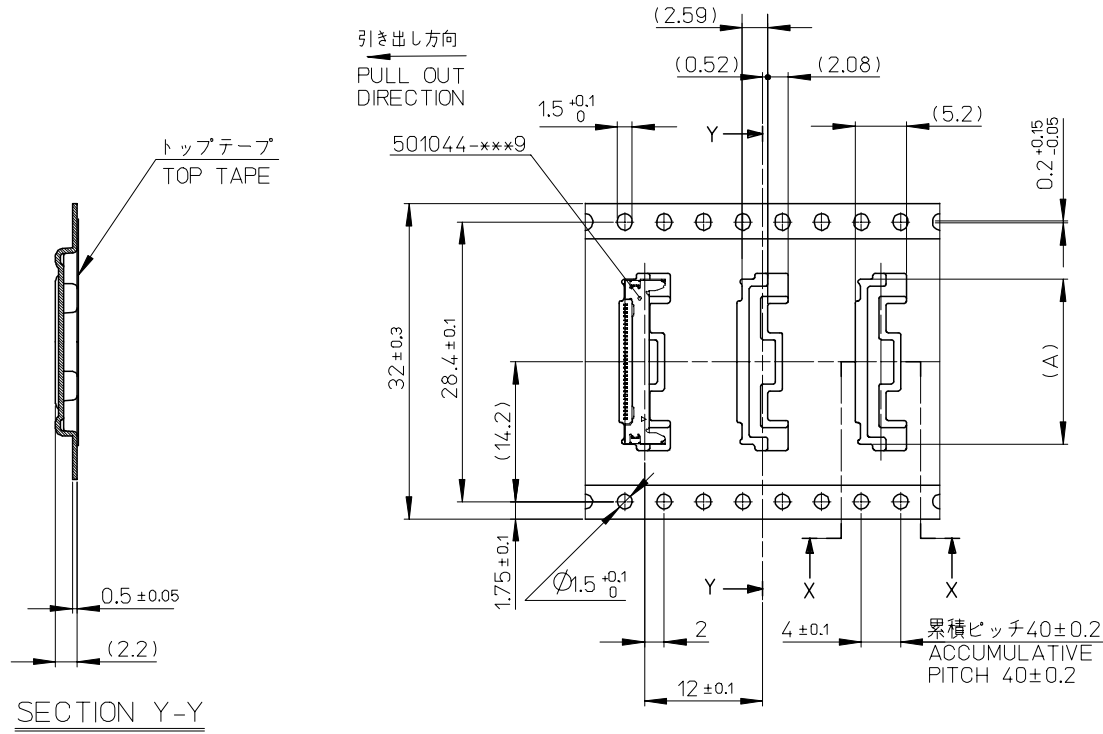
E

D

C

B

A



SECTION Y-Y

32mm幅キャリアテープ  
32mm WIDTH CARRIER TAPE

32	33.5	16.74	501044-3010	30
キャリアテープ幅 CARRIER TAPE WIDTH	B	(A)	製品番号 MATERIAL NO.	極数 CKT.
MODEL NO.			501044-***10	

REVISED EC NO: J2007-1508 DRWNG: YRIFUJI 2006/11/27 CHKD: TKANEKO 2006/11/27 APPR: TKANEKO 2006/11/27	GENERAL TOLERANCES (UNLESS SPECIFIED)		DIMENSION STYLE MM ONLY		SCALE 1:1	DESIGN UNITS METRIC	THIRD ANGLE PROJECTION
	10 UNDER	±0.2	DRAWN BY KTAKETOMI	DATE 2004/12/10	TITLE 0.4 W/B CONN. REC. HSG ASSY SIDE ENTRY EMBOSSED TAPE PACKAGE MOLEX INCORPORATED		
	10 OVER 30 UNDER	±0.25	CHECKED BY TKANEKO	DATE 2004/12/10			
	30 OVER	±0.3	APPROVED BY AHORINO	DATE 2004/12/10			
ANGULAR	±3 °	DRAFT WHERE APPLICABLE MUST REMAIN WITHIN DIMENSIONS		MATERIAL NO.	DOCUMENT NO. SD-501044-002	SHEET NO. 3 OF 3	
A	REV	SEE CHART		THIS DRAWING CONTAINS INFORMATION THAT IS PROPRIETARY TO MOLEX INCORPORATED AND SHOULD NOT BE USED WITHOUT WRITTEN PERMISSION			