

PLEASE CHECK WWW.MOLEX.COM FOR LATEST PART INFORMATION

Part Number: [0912283007](#)
Status: **Active**
Description: 2.54mm (.100") Pitch ChipSIM Connector, 6 Circuits, SMT, With Ejector,With Pegs, Use With Card Holder 91236

Documents:

[3D Model](#) [RoHS Certificate of Compliance \(PDF\)](#)
[Drawing \(PDF\)](#)

General

| | |
|----------------|-----------------------|
| Product Family | Memory Card Sockets |
| Series | 91228 |
| Button Type | Push-Push |
| Component Type | Receptacle (Card) |
| Product Name | ChipSIM |
| Type | N/A |

Physical

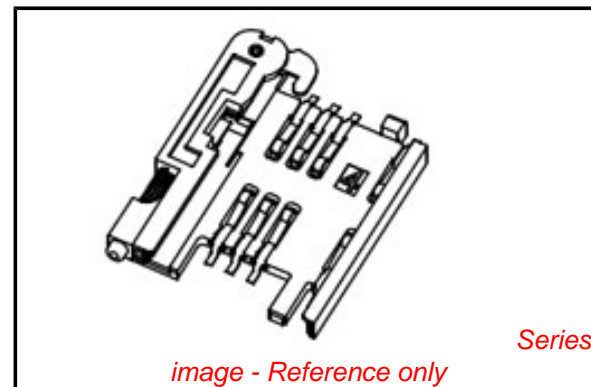
| | |
|--------------------------------|--|
| Card Detection Switch | Yes |
| Circuits (Loaded) | 6 |
| Circuits (maximum) | 6 |
| Color - Resin | Black, Natural |
| Durability (mating cycles max) | 5,000 |
| Ejector Button Side | Left |
| Entry Angle | Vertical (Top Entry) |
| Keying to Mating Part | Yes |
| Material - Metal | Phosphor Bronze, Piano wire, Stainless Steel |
| Material - Plating Mating | Gold |
| Material - Plating Termination | Tin |
| Material - Resin | High Temperature Thermoplastic |
| PCB Locator | Yes |
| PCB Mounting Side | Normal |
| PCB Retention | None |
| Packaging Type | Embossed Tape on Reel |
| Pitch - Mating Interface (in) | 0.100 In, 0.288 In |
| Pitch - Mating Interface (mm) | 2.54 mm, 7.32 mm |
| Pitch - Term. Interface (in) | 0.100 In, 0.288 In |
| Pitch - Term. Interface (mm) | 2.54 mm, 7.32 mm |
| Plating min: Mating (µin) | 4 |
| Plating min: Mating (µm) | 0.1 |
| Plating min: Termination (µin) | 120 |
| Plating min: Termination (µm) | 3 |
| Ports | 1 |
| Surface Mount Compatible (SMC) | Yes |
| Temperature Range - Operating | -30°C to +85°C |
| Termination Interface: Style | Surface Mount |

Electrical

| | |
|-------------------------------|--------|
| Current - Maximum per Contact | 0.5A |
| Shielded | No |
| Voltage - Maximum | 50V DC |
| Voltage Key | N/A |

Solder Process Data

| | |
|--|---------------------------|
| Duration at Max. Process Temperature (seconds) | 5 |
| Lead-free Process Capability | Reflow Capable (SMT only) |



EU RoHS

**ELV and RoHS
Compliant**
REACH SVHC
 Not Reviewed
**Halogen-Free
Status**

China RoHS



**Need more information on product
environmental compliance?**

Email productcompliance@molex.com
 For a multiple part number RoHS Certificate of Compliance, [click here](#)

Please visit the [Contact Us](#) section for any non-product compliance questions.

Search Parts in this Series
[91228Series](#)

| | |
|---|-----|
| Max. Cycles at Max. Process Temperature | 2 |
| Process Temperature max. C | 240 |

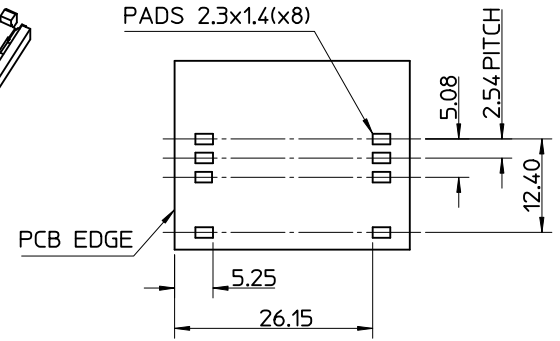
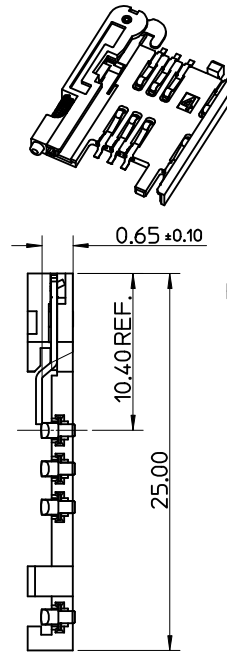
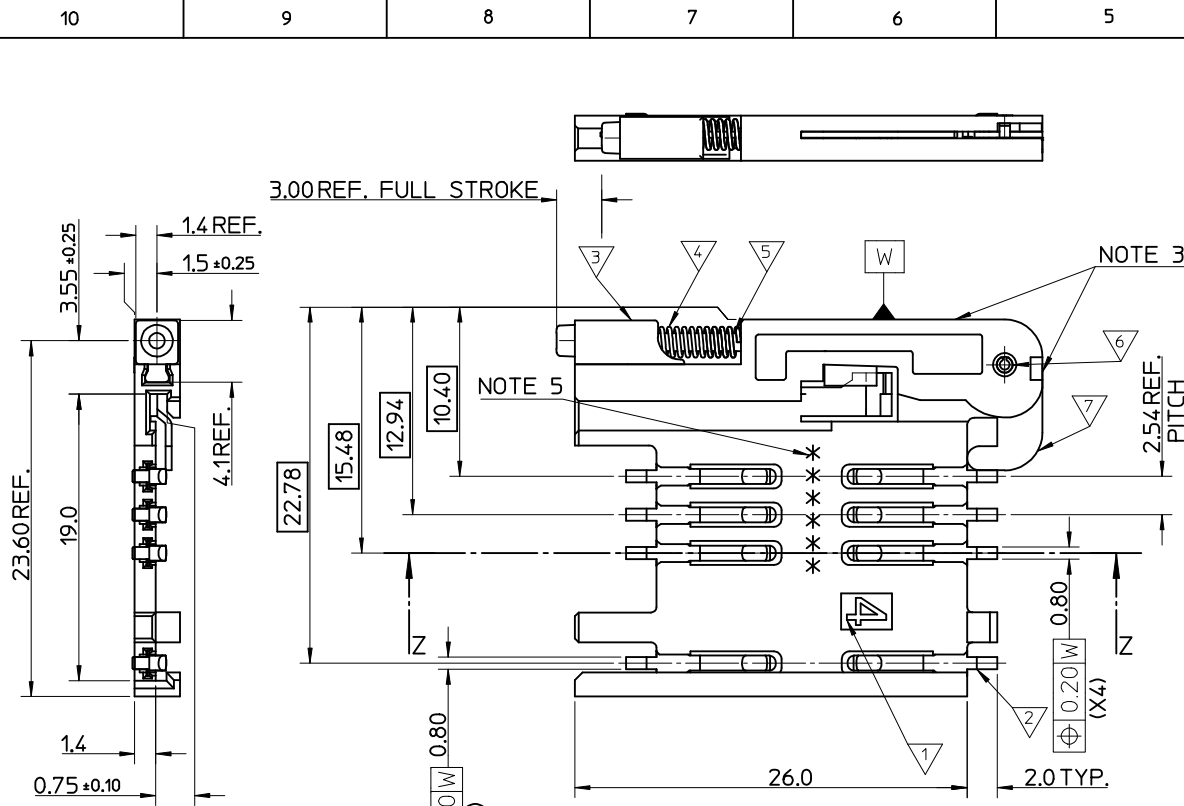
Material Info

Reference - Drawing Numbers

Sales Drawing SD-91228-001, SDA-91228-9001

This document was generated on 04/13/2010

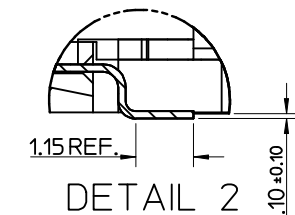
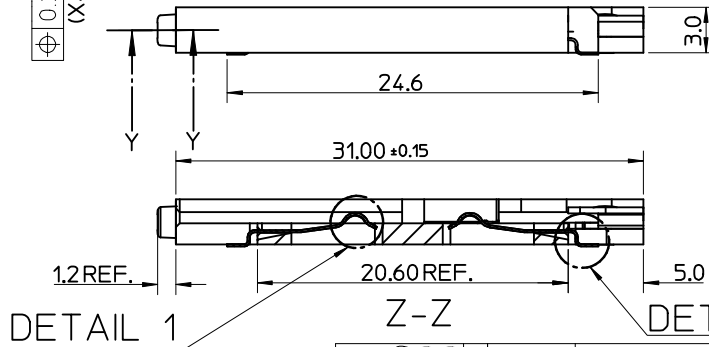
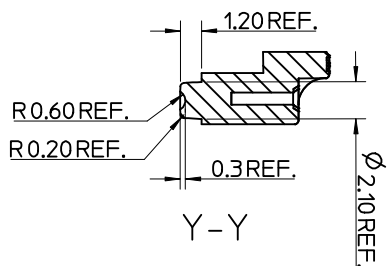
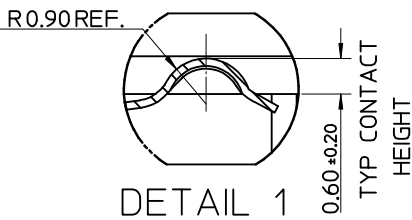
PLEASE CHECK WWW.MOLEX.COM FOR LATEST PART INFORMATION



RECOMMENDED PCB LAYOUT
(COMPONENT SIDE)

NOTES:

1. SEE PRODUCT SPECIFICATION PS-99020-0071.
2. PACKAGING: TAPE & REEL, FOR DETAIL SEE SDA-91228-9001, SHEET 1
3. PUSH ROD/LEVER MUST NOT PROTRUDE BEYOND HOUSING EDGE IN THIS AREA.
4. TAILS ON EACH SIDE OF CONNECTOR TO LIE WITHIN 0.12 mm OF EACH OTHER
5. DATECODE: (YEAR, WEEK, WEEK, DAY, HOUR, HOUR)



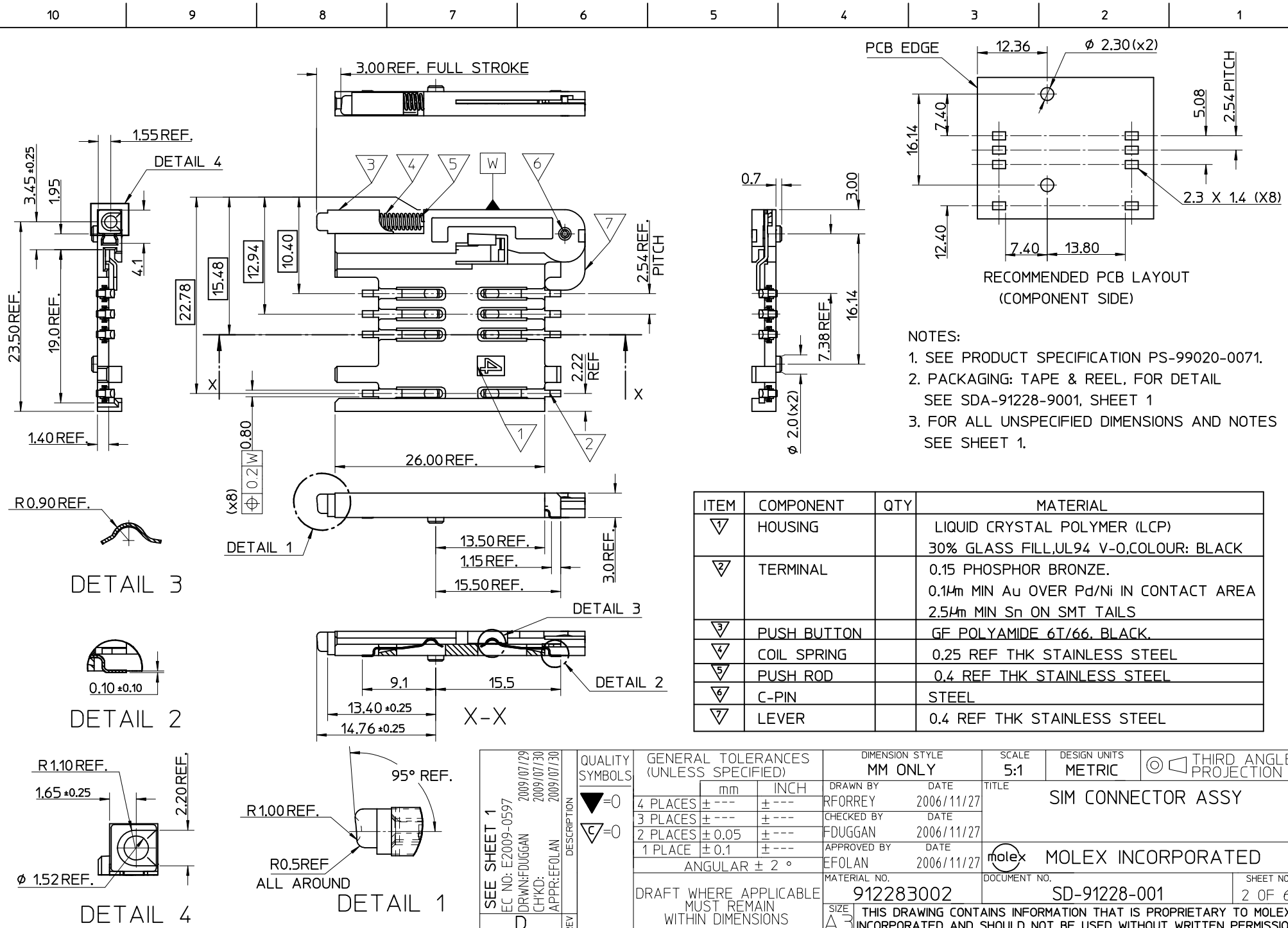
| ITEM | COMPONENT | QTY | MATERIAL |
|------|-------------|-----|---|
| ▽ | HOUSING | 1 | LIQUID CRYSTAL POLYMER (LCP) 30% GLASS FILL, JL94 V-O, COLOUR: BLACK |
| ▽ | TERMINAL | 8 | 0.15 PHOSPHOR BRONZE, 0.14µm MIN Au OVER Pd/Ni IN CONTACT AREA 2.54µm MIN Sn ON SMT TAILS |
| ▽ | PUSH BUTTON | 1 | GF POLYAMIDE 6T/66, YELLOW |
| ▽ | COIL SPRING | 1 | 0.25 REF THK STAINLESS STEEL |
| ▽ | PUSH ROD | 1 | 0.4 REF THK STAINLESS STEEL |
| ▽ | C-PIN | 1 | STEEL |
| ▽ | LEVER | 1 | 0.4 REF THK STAINLESS STEEL |

| | |
|-------------------|-------------|
| MOD TO BUTTON MAT | DESCRIPTION |
| EC NO: E2009-0597 | 2009/07/29 |
| DRWN: FDUGGAN | 2009/07/30 |
| CHKD: | |
| APPR: EFOLAN | 2009/07/30 |
| REV | |

| QUALITY SYMBOLS | GENERAL TOLERANCES (UNLESS SPECIFIED) | |
|-----------------|---|-------|
| | mm | INCH |
| ▽=0 | 4 PLACES ± --- | ± --- |
| ▽=0 | 3 PLACES ± --- | ± --- |
| | 2 PLACES ± 0.05 | ± --- |
| | 1 PLACE ± 0.1 | ± --- |
| | ANGULAR ± 2 ° | |
| | DRAFT WHERE APPLICABLE MUST REMAIN WITHIN DIMENSIONS | |

| DIMENSION STYLE | | SCALE | DESIGN UNITS | THIRD ANGLE PROJECTION |
|-----------------|--------------|--------------------|--------------|------------------------|
| MM ONLY | | 5:1 | METRIC | ☉ |
| DRAWN BY | DATE | TITLE | | |
| RFORREY | 2006/11/27 | SIM CONNECTOR ASSY | | |
| CHECKED BY | DATE | | | |
| FDUGGAN | 2006/11/27 | | | |
| APPROVED BY | DATE | | | |
| EFOLAN | 2006/11/27 | | | |
| MATERIAL NO. | DOCUMENT NO. | | | |
| 912283001 | SD-91228-001 | | | |

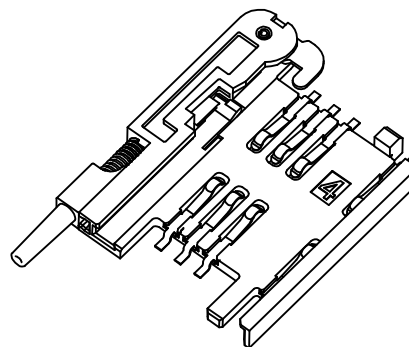
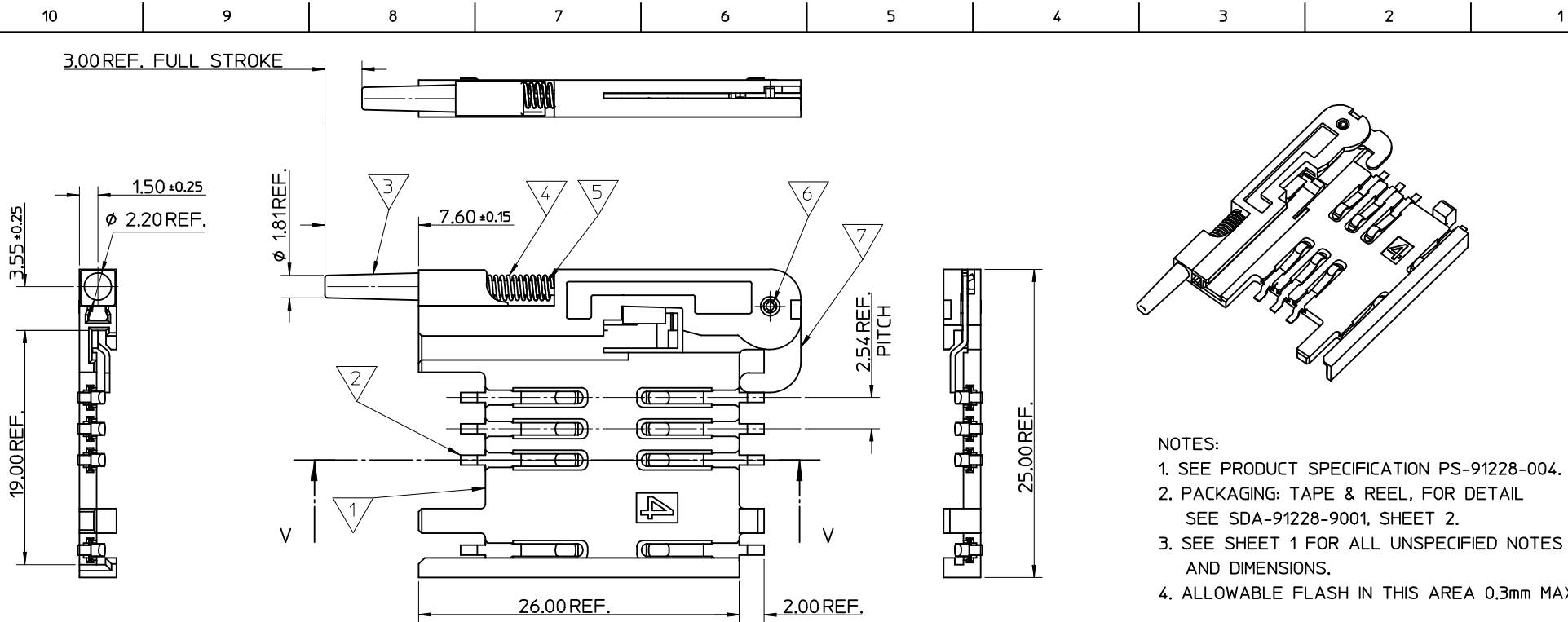
| | | | | |
|---|--|--------------|--|-----------|
| MATERIAL NO. | | DOCUMENT NO. | | SHEET NO. |
| 912283001 | | SD-91228-001 | | 1 OF 6 |
| THIS DRAWING CONTAINS INFORMATION THAT IS PROPRIETARY TO MOLEX INCORPORATED AND SHOULD NOT BE USED WITHOUT WRITTEN PERMISSION | | | | |



- NOTES:
1. SEE PRODUCT SPECIFICATION PS-99020-0071.
 2. PACKAGING: TAPE & REEL, FOR DETAIL SEE SDA-91228-9001, SHEET 1
 3. FOR ALL UNSPECIFIED DIMENSIONS AND NOTES SEE SHEET 1.

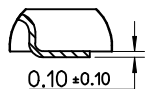
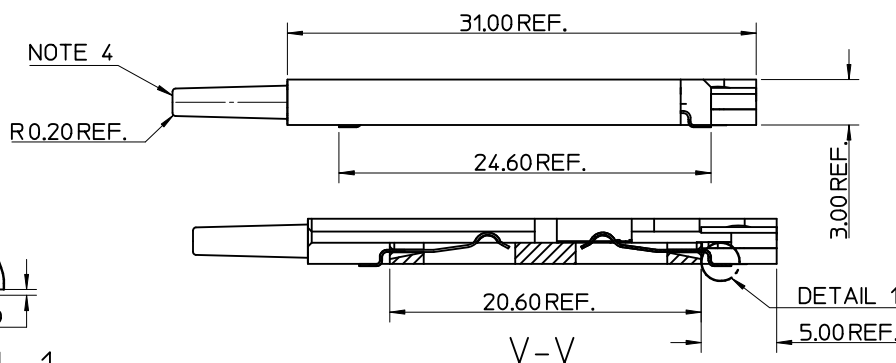
| ITEM | COMPONENT | QTY | MATERIAL |
|------|-------------|-----|---|
| ▽ | HOUSING | | LIQUID CRYSTAL POLYMER (LCP) 30% GLASS FILL,UL94 V-0,COLOUR: BLACK |
| ▽ | TERMINAL | | 0.15 PHOSPHOR BRONZE. 0.14mm MIN Au OVER Pd/Ni IN CONTACT AREA 2.54mm MIN Sn ON SMT TAILS |
| ▽ | PUSH BUTTON | | GF POLYAMIDE 6T/66, BLACK. |
| ▽ | COIL SPRING | | 0.25 REF THK STAINLESS STEEL |
| ▽ | PUSH ROD | | 0.4 REF THK STAINLESS STEEL |
| ▽ | C-PIN | | STEEL |
| ▽ | LEVER | | 0.4 REF THK STAINLESS STEEL |

| | | | | | | | | | | | |
|---|--|--|-------------------------------|---|--|----------------------|---------|------------|--------------------|------------------------|--|
| SEE SHEET 1 EC NO: E2009-0597 DRW: F. DUGGAN CHKD: CHKD: APPR: E. FOLAN | 2009/07/29 2009/07/30 2009/07/30 | DESCRIPTION REV | QUALITY SYMBOLS ▽=0 ▽=0 | GENERAL TOLERANCES (UNLESS SPECIFIED) | | DIMENSION STYLE | | SCALE | DESIGN UNITS | THIRD ANGLE PROJECTION | |
| | | | | | | MM ONLY | | 5:1 | METRIC | | |
| | | | | | | mm | INCH | DRAWN BY | DATE | TITLE | |
| | | | | | | 4 PLACES ± --- ± --- | RFORREY | 2006/11/27 | SIM CONNECTOR ASSY | | |
| | | 3 PLACES ± --- ± --- | CHECKED BY | DATE | | | | | | | |
| | | 2 PLACES ± 0.05 ± --- | FDUGGAN | 2006/11/27 | | | | | | | |
| | | 1 PLACE ± 0.1 ± --- | APPROVED BY | DATE | | | | | | | |
| | | ANGULAR ± 2 ° | E. FOLAN | 2006/11/27 | | | | | | | |
| | | DRAFT WHERE APPLICABLE MUST REMAIN WITHIN DIMENSIONS | MATERIAL NO. | DOCUMENT NO. | | | | | | | |
| | | | 912283002 | SD-91228-001 | | | | | | | |
| | | | SIZE A3 | THIS DRAWING CONTAINS INFORMATION THAT IS PROPRIETARY TO MOLEX INCORPORATED AND SHOULD NOT BE USED WITHOUT WRITTEN PERMISSION | | SHEET NO. 2 OF 6 | | | | | |



NOTES:

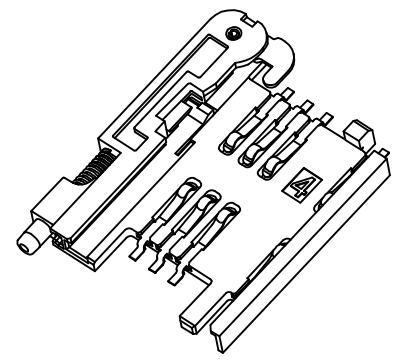
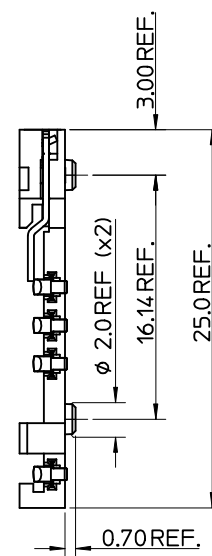
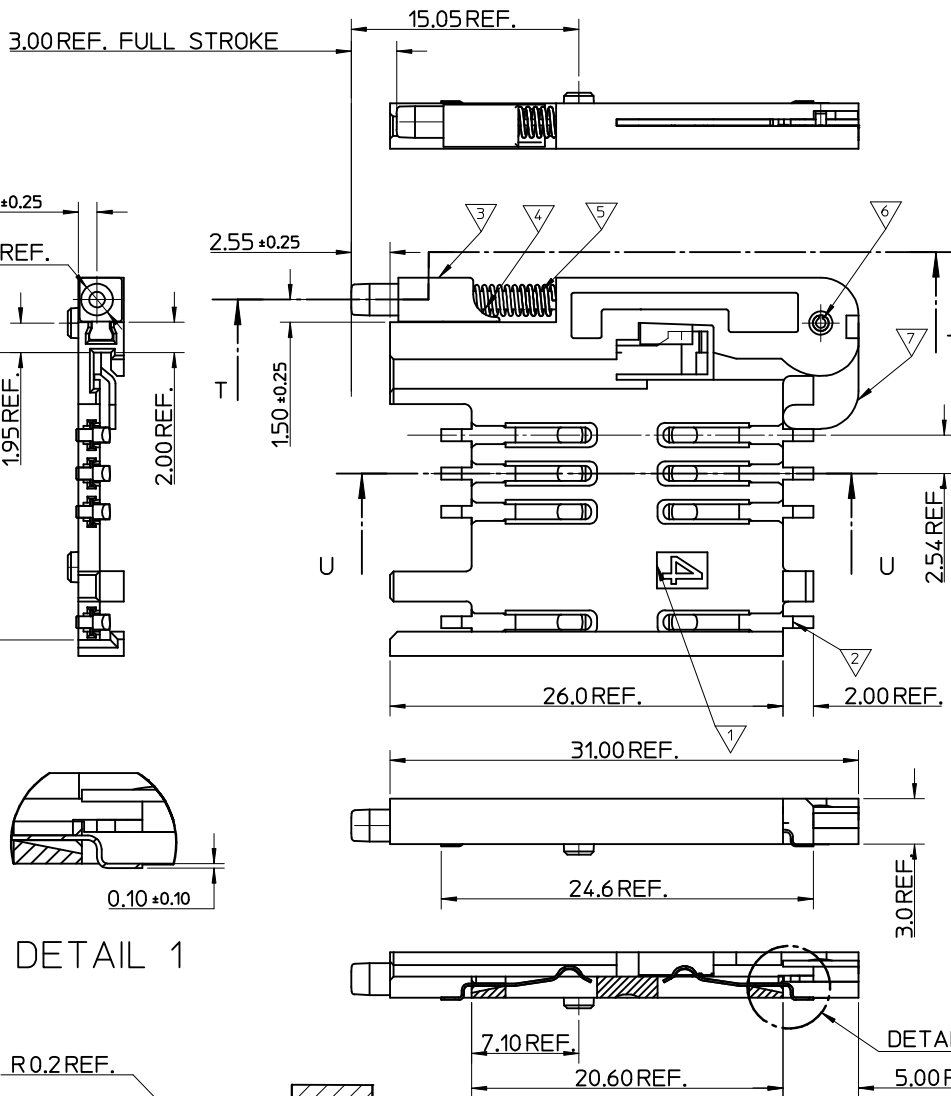
1. SEE PRODUCT SPECIFICATION PS-91228-004.
2. PACKAGING: TAPE & REEL, FOR DETAIL SEE SDA-91228-9001, SHEET 2.
3. SEE SHEET 1 FOR ALL UNSPECIFIED NOTES AND DIMENSIONS.
4. ALLOWABLE FLASH IN THIS AREA 0.3mm MAX.



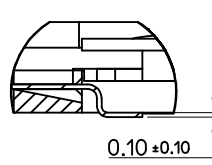
DETAIL 1

| ITEM | COMPONENT | QTY | MATERIAL |
|------|-------------|-----|---|
| ▽1 | HOUSING | 1 | LIQUID CRYSTAL POLYMER (LCP) 30% GLASS FILL, UL94 V-0, COLOUR: BLACK |
| ▽2 | TERMINAL | 8 | 0.15 PHOSPHOR BRONZE. 0.14μm MIN Au OVER Pd/Ni IN CONTACT AREA 2.54μm MIN Sn ON SMT TAILS |
| ▽3 | PUSH BUTTON | 1 | GF POLYAMIDE 6T/66, NATURAL |
| ▽4 | COIL SPRING | 1 | 0.25 REF THK STAINLESS STEEL |
| ▽5 | PUSH ROD | 1 | 0.4 REF THK STAINLESS STEEL |
| ▽6 | C-PIN | 1 | STEEL |
| ▽7 | LEVER | 1 | 0.4 REF THK STAINLESS STEEL |

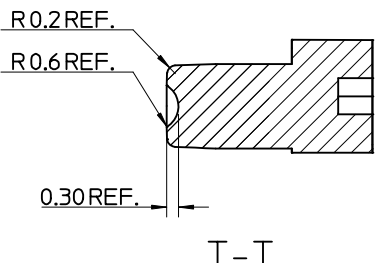
| | | | | | | | | | |
|---|-----------------|---------------------------------------|--|-----------------|---|--------------------|--------------|------------------------|-----------|
| SEE SHEET 1 EC NO: E2009-0597 DRWN: FDUGGAN 2009/07/29 CHKD: 2009/07/30 APPR: EFOLAN 2009/07/30 | QUALITY SYMBOLS | GENERAL TOLERANCES (UNLESS SPECIFIED) | | DIMENSION STYLE | | SCALE | DESIGN UNITS | THIRD ANGLE PROJECTION | |
| | ▽=0 | mm | INCH | MM ONLY | | 5:1 | METRIC | SIM CONNECTOR ASSY | |
| | ∇=0 | 4 PLACES ± --- | ± --- | DRAWN BY | DATE | TITLE | | | |
| | | 3 PLACES ± --- | ± --- | FORREY | 2006/11/27 | MOLEX INCORPORATED | | | |
| | 2 PLACES ± 0.05 | ± --- | CHECKED BY | DATE | MATERIAL NO. | | DOCUMENT NO. | | SHEET NO. |
| | 1 PLACE ± 0.1 | ± --- | FDUGGAN | 2006/11/27 | 912283005 | | SD-91228-001 | | 3 OF 6 |
| | | ANGULAR ± 2 ° | APPROVED BY | DATE | THIS DRAWING CONTAINS INFORMATION THAT IS PROPRIETARY TO MOLEX INCORPORATED AND SHOULD NOT BE USED WITHOUT WRITTEN PERMISSION | | | | |
| | | | EFOLAN | 2006/11/27 | | | | | |
| | | | DRAFT WHERE APPLICABLE MUST REMAIN WITHIN DIMENSIONS | | | | | | |
| | | | SIZE | | | | | | |
| | | | A3 | | | | | | |



- NOTES:
1. SEE PRODUCT SPECIFICATION PS-99020-0071.
 2. PACKAGING: TAPE & REEL, FOR DETAIL SEE SDA-91228-9001, SHEET 2.
 3. SEE SHEETS 1 & 2 FOR ALL UNSPECIFIED NOTES AND DIMENSIONS.



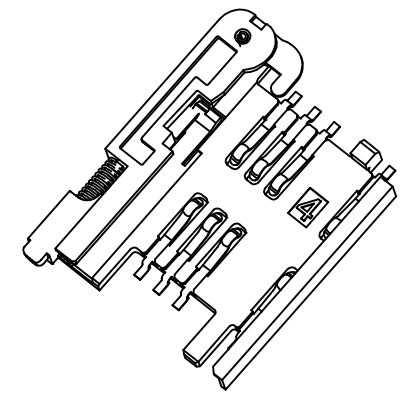
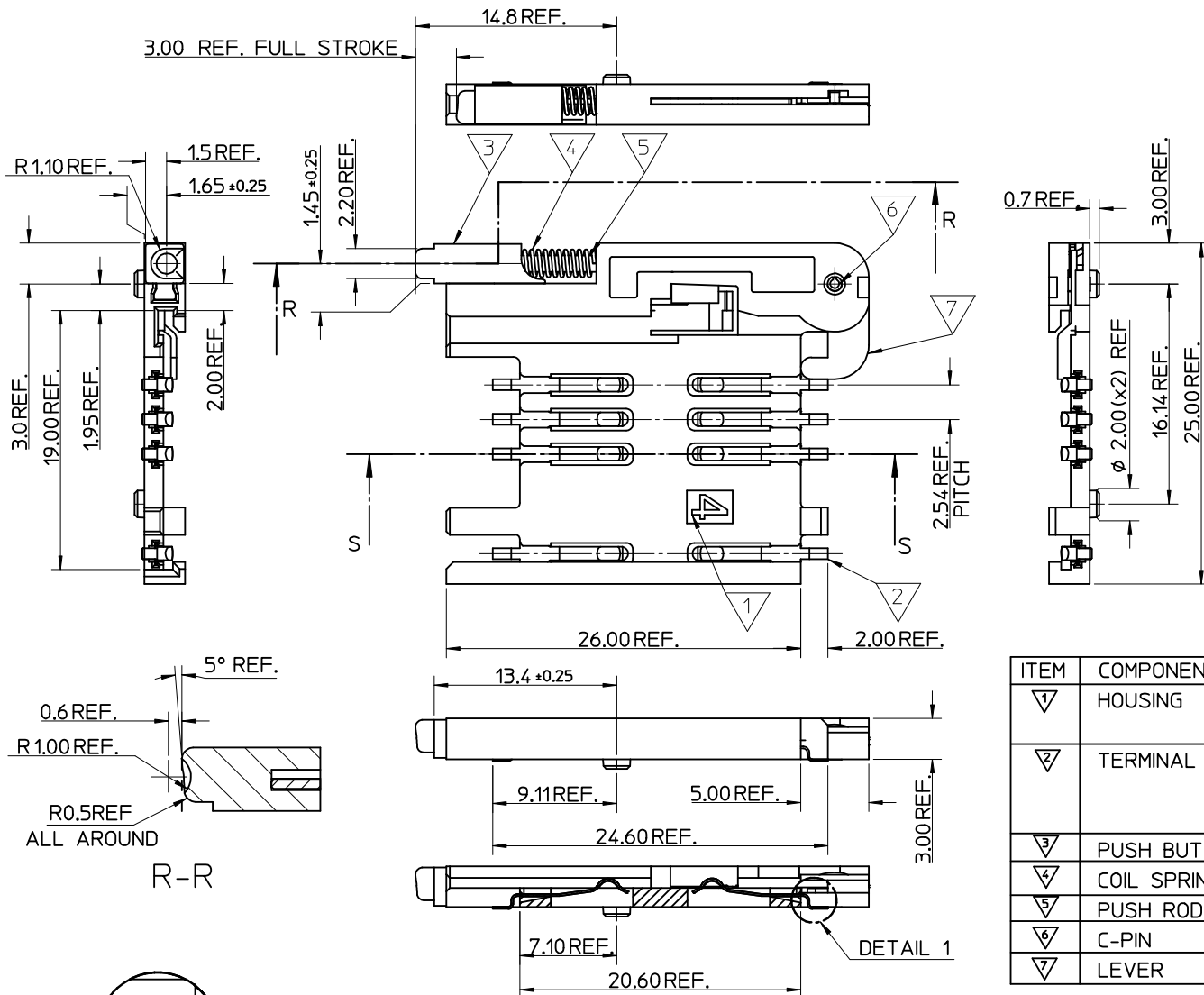
DETAIL 1



T-T

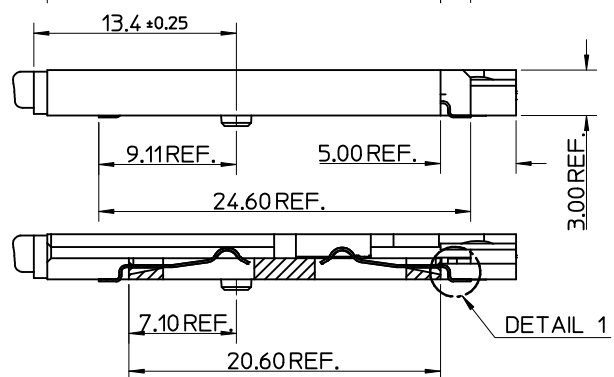
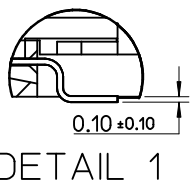
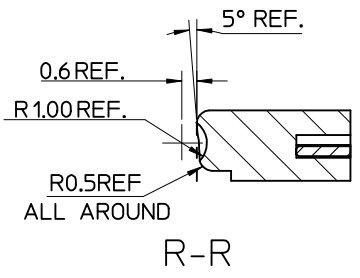
| ITEM | COMPONENT | QTY | MATERIAL |
|------|-------------|-----|---|
| ▽ | HOUSING | 1 | LIQUID CRYSTAL POLYMER (LCP) 30% GLASS FILL,UL94 V-0,COLOUR: BLACK |
| ▽ | TERMINAL | 8 | 0.15 PHOSPHOR BRONZE. 0.14m MIN Au OVER Pd/Ni IN CONTACT AREA 2.54m MIN Sn ON SMT TAILS |
| ▽ | PUSH BUTTON | 1 | GF POLYAMIDE 6T/66, BLACK. |
| ▽ | COIL SPRING | 1 | 0.25 REF THK STAINLESS STEEL |
| ▽ | PUSH ROD | 1 | 0.4 REF THK STAINLESS STEEL |
| ▽ | C-PIN | 1 | STEEL |
| ▽ | LEVER | 1 | 0.4 REF THK STAINLESS STEEL |

| | | | | | | |
|---|-----------------------|--|---|-------|--------------|------------------------|
| SEE SHEET 1 EC NO: E2009-0597 DRWN:FDUGGAN 2009/07/29 CHKD: 2009/07/30 APPR:EFOLAN 2009/07/30 | QUALITY SYMBOLS | GENERAL TOLERANCES (UNLESS SPECIFIED) | DIMENSION STYLE | SCALE | DESIGN UNITS | THIRD ANGLE PROJECTION |
| | ▽=0 | mm INCH | MM ONLY | 5:1 | METRIC | |
| | ▽=0 | 4 PLACES ± --- ± --- | DRAWN BY DATE | | | TITLE |
| | | 3 PLACES ± --- ± --- | FORREY 2006/11/27 | | | SIM CONNECTOR ASSY |
| | 2 PLACES ± 0.05 ± --- | CHECKED BY DATE | | | | |
| | 1 PLACE ± 0.1 ± --- | FDUGGAN 2006/11/27 | | | | |
| | ANGULAR ± 2 ° | APPROVED BY DATE | | | | |
| | | EFOLAN 2006/11/27 | | | | |
| | | MATERIAL NO. | | | | |
| | | 912283006 | | | | |
| | | DRAFT WHERE APPLICABLE MUST REMAIN WITHIN DIMENSIONS | | | | |
| | | | SIZE | | | |
| | | | A3 | | | |
| | | | THIS DRAWING CONTAINS INFORMATION THAT IS PROPRIETARY TO MOLEX INCORPORATED AND SHOULD NOT BE USED WITHOUT WRITTEN PERMISSION | | | |



- NOTES:
1. SEE PRODUCT SPECIFICATION PS-99020-0071.
 2. PACKAGING: TAPE & REEL, FOR DETAIL SEE SDA-91228-9001, SHEET 1.
 3. SEE SHEET 1 FOR ALL UNSPECIFIED NOTES AND DIMENSIONS.

| ITEM | COMPONENT | QTY | MATERIAL |
|------|-------------|-----|---|
| ▽ | HOUSING | 1 | LIQUID CRYSTAL POLYMER (LCP) 30% GLASS FILL, UL94 V-0, COLOUR: BLACK |
| ▽ | TERMINAL | 8 | 0.15 PHOSPHOR BRONZE. 0.14μm MIN Au OVER Pd/Ni IN CONTACT AREA 2.54μm MIN Sn ON SMT TAILS |
| ▽ | PUSH BUTTON | 1 | GF POLYAMIDE 6T/66, BLUE |
| ▽ | COIL SPRING | 1 | 0.25 REF THK STAINLESS STEEL |
| ▽ | PUSH ROD | 1 | 0.4 REF THK STAINLESS STEEL |
| ▽ | C-PIN | 1 | STEEL |
| ▽ | LEVER | 1 | 0.4 REF THK STAINLESS STEEL |



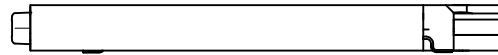
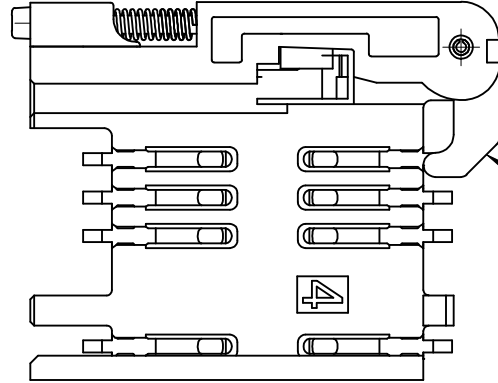
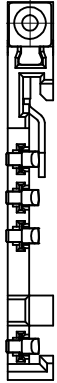
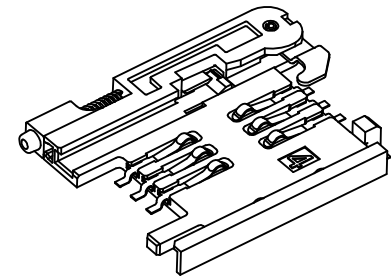
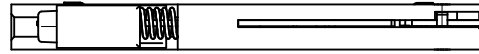
| | |
|-------------------|-------------|
| SEE SHEET 1 | DESCRIPTION |
| EC NO: E2009-0597 | 2009/07/29 |
| DRWN: FDUGGAN | 2009/07/29 |
| CHKD: | |
| APPR: EFOLAN | 2009/07/30 |
| REV | |

| | |
|-----------------|-------------|
| QUALITY SYMBOLS | DESCRIPTION |
| ▽=0 | |
| ◻=0 | |

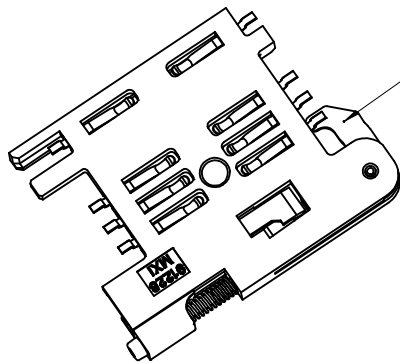
| | | | | |
|--|-----------------|--------------|--------------------|------------------------|
| GENERAL TOLERANCES (UNLESS SPECIFIED) | DIMENSION STYLE | SCALE | DESIGN UNITS | THIRD ANGLE PROJECTION |
| | MM ONLY | 5:1 | METRIC | |
| 4 PLACES ± --- | DRAWN BY | DATE | TITLE | |
| 3 PLACES ± --- | RFORREY | 2006/11/27 | SIM CONNECTOR ASSY | |
| 2 PLACES ± 0.05 | CHECKED BY | DATE | | |
| 1 PLACE ± 0.1 | FDUGGAN | 2006/11/27 | | |
| | APPROVED BY | DATE | | |
| | EFOLAN | 2006/11/27 | | |
| | ANGULAR ± 2 ° | | | |
| DRAFT WHERE APPLICABLE MUST REMAIN WITHIN DIMENSIONS | MATERIAL NO. | DOCUMENT NO. | SHEET NO. | |
| | 912283007 | SD-91228-001 | 5 OF 6 | |

| | | |
|------|---|--|
| SIZE | THIS DRAWING CONTAINS INFORMATION THAT IS PROPRIETARY TO MOLEX INCORPORATED AND SHOULD NOT BE USED WITHOUT WRITTEN PERMISSION | |
| A3 | | |

| | | | |
|--------------|--|--------------|-----------|
| MATERIAL NO. | | DOCUMENT NO. | SHEET NO. |
| 912283007 | | SD-91228-001 | 5 OF 6 |



NOTE 6
BLACK COLOUR
THIS FACE

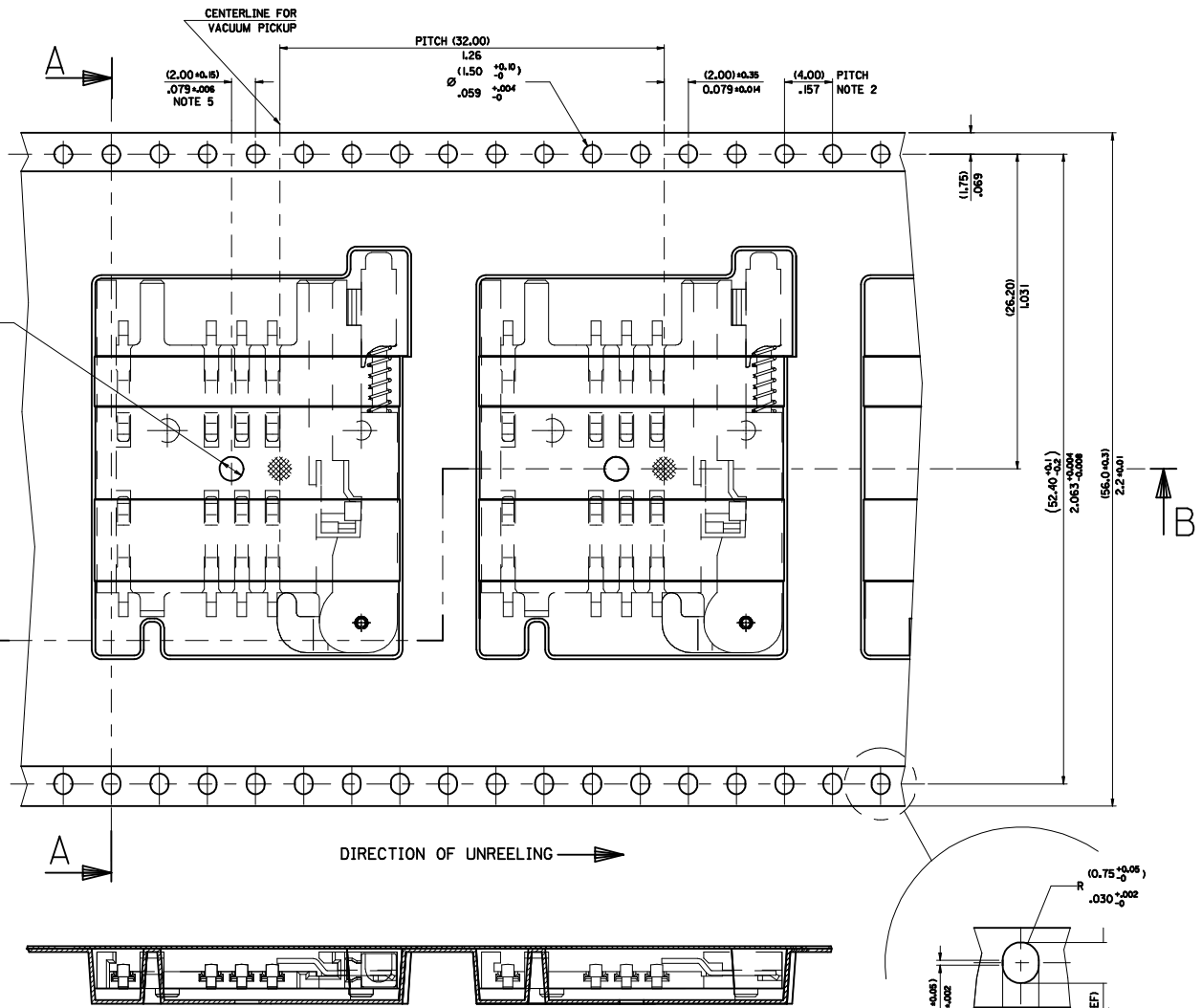
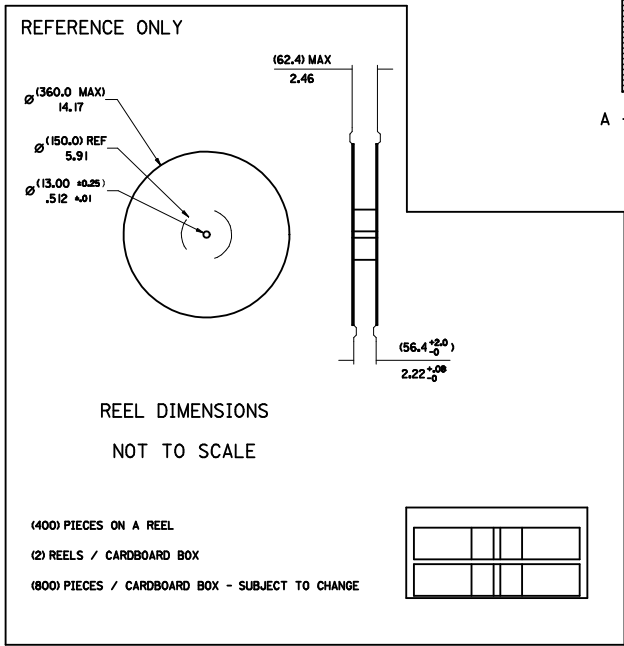
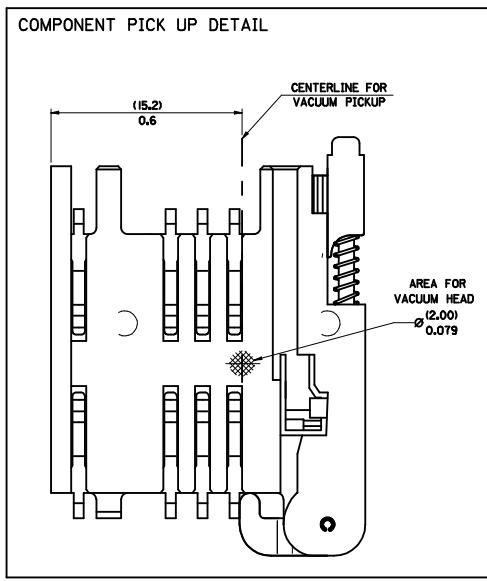


NOTES:

1. SEE PRODUCT SPECIFICATION PS-91228-016
2. PACKAGING: TAPE & REEL, FOR DETAIL SEE SDA-91228-9001, SHEET 1
3. FOR ALL UNSPECIFIED DIMENSIONS AND NOTES SEE SHEET 1.
4. 5mm EJECTOR LEVER
5. CARD HOLDER EJECTION DISTANCE: 5.0±0.3mm
6. LEVER FACE TO BE COLOURED BLACK WITH ALCOHOL BASED INK.

| | | | | | | | |
|---|--------------------|--|--|--|---|--------------|------------------------|
| SEE SHEET 1 EC NO: E2009-0597 DRWN:FDUGGAN 2009/07/29 CHKD: 2009/07/30 APPR:EFOLAN 2009/07/30 | DESCRIPTION REV | QUALITY SYMBOLS | GENERAL TOLERANCES (UNLESS SPECIFIED) | DIMENSION STYLE | SCALE | DESIGN UNITS | THIRD ANGLE PROJECTION |
| | | ▼=0 □=0 | mm INCH | MM ONLY | 3:1 | METRIC | |
| | | 4 PLACES ± --- ± --- 3 PLACES ± --- ± --- 2 PLACES ± 0.05 ± --- 1 PLACE ± 0.1 ± --- | DRAWN BY: RFORREY CHECKED BY: FDUGGAN APPROVED BY: EFOLAN | DATE: 2006/11/27 DATE: 2006/11/27 DATE: 2006/11/27 | TITLE SIM CONNECTOR ASSY | | |
| | | ANGULAR ± 2 ° | MATERIAL NO. 912283016 | DATE: 2006/11/27 | MOLEX INCORPORATED DOCUMENT NO. SD-91228-001 SHEET NO. 6 OF 6 | | |
| DRAFT WHERE APPLICABLE MUST REMAIN WITHIN DIMENSIONS | | | THIS DRAWING CONTAINS INFORMATION THAT IS PROPRIETARY TO MOLEX INCORPORATED AND SHOULD NOT BE USED WITHOUT WRITTEN PERMISSION | | | | |

| PART NO | DESCRIPTION |
|-------------------------|----------------------------|
| 91228-0001 & 91228-3001 | SIM CONNECTOR WITHOUT PEGS |
| 91228-0002 & 91228-3002 | SIM CONNECTOR WITH PEGS |
| 91228-0012 & 91228-3012 | SIM CONNECTOR WITH PEGS |
| 91228-0007 & 91228-3007 | SIM CONNECTOR WITH PEGS |



- NOTES:
- 1) MATERIAL :
CARRIER TAPE : VOLUME CONDUCTIVE POLYSTYRENE, 0.40 REF THICK, BLACK
COVER TAPE : COLD SEAL POLYESTER, 0.08 REF THICK TRANSPARENT
 - 2) PITCH TOLERANCE OVER ANY 10 PITCHES ± 0.2 MM
 - 3) PEEL FORCE OF THE COVER TAPE IS 0.1 N TO 1.0 N
AT A MAXIMUM REEL SPEED OF 300 MM/MIN ± 10%
 - 4) PACKAGING SPEC, PK-91228-002
 - 5) REFERENCE TO IEC 286-3 EXCEPT WHERE NOTED

| | | | | | | | | | |
|--|-------------------------------|---|------|-----------------|-----|----------------|--------------|---|--|
| MOD REV. LEVELS EC NO: E2009-0200 DRAWN BY: G CHECKED BY: G APPROVED BY: G DATE: 2009/01/13 DATE: 2009/01/14 DATE: 2009/01/15 | QUALITY SYMBOLS ▽=0 ▽=0 | GENERAL TOLERANCES (UNLESS SPECIFIED) | | DIMENSION STYLE | | SCALE | DESIGN UNITS | THIRD ANGLE PROJECTION | |
| | | m | INCH | MM/IN | | 1:1 | METRIC | | |
| | | 4 PLACES | ± | --- | --- | DRAWN BY | DATE | TITLE | |
| | | 3 PLACES | ± | --- | --- | DMAHER | 2006/12/07 | BLISTER PACKAGING SIM CARD PCB HOUSING | |
| | | 2 PLACES | ± | 0.10 | --- | CHECKED BY | DATE | | |
| | | 1 PLACE | ± | 0.20 | --- | FUGGAN | 2006/12/07 | | |
| | | ANGULAR ± 2 ° | | | | APPROVED BY | DATE | | |
| | | DRAFT WHERE APPLICABLE MUST REMAIN WITHIN DIMENSIONS | | | | EFOLAN | 2006/12/07 | | |
| | | SEE CHART | | | | MATERIAL NO. | DOCUMENT NO. | MOLEX INCORPORATED | |
| | | THIS DRAWING CONTAINS INFORMATION THAT IS PROPRIETARY TO MOLEX INCORPORATED AND SHOULD NOT BE USED WITHOUT WRITTEN PERMISSION | | | | SDA-91228-9001 | | SHEET NO. 1 OF 4 | |

| | |
|---|---|
| 4 | D |
| 3 | C |
| 2 | C |
| 1 | B |