

PLEASE CHECK WWW.MOLEX.COM FOR LATEST PART INFORMATION

Part Number: [0746951102](#)
Status: **Active**
Overview: vhdm_hsd
Description: 2.00mm (.079") Pitch 5-Row VHDM-HSD™ Backplane Header, Guide Pin Signal Module, Open End Version, Advanced Mate Shield, 40 Circuits, Pin Length 6.25mm (.246")

Documents:

[Drawing \(PDF\)](#) [RoHS Certificate of Compliance \(PDF\)](#)

Agency Certification

CSA LR19880

General

Product Family Backplane Connectors
 Series [74695](#)
 Application Backplane
 Application Tooling Documents [Tooling Manual](http://www.molex.com/pdm_docs/ats/TM-622010999.pdf)
 Comments Open Header
 Component Type PCB Header
 Overview [vhdm_hsd](#)
 Product Name VHDM-HSD™
 Style N/A

Physical

Circuits (Loaded) 40
 Circuits (maximum) 40
 Color - Resin Black
 Durability (mating cycles max) 200
 First Mate / Last Break No
 Flammability 94V-0
 Guide to Mating Part No
 Keying to Mating Part None
 Material - Metal High Performance Alloy (HPA)
 Material - Plating Mating Gold
 Material - Plating Termination Tin-Lead
 Material - Resin High Temperature Thermoplastic
 Number of Columns 10
 Number of Pairs Open Pin Field
 Number of Rows 5
 Orientation Vertical
 PCB Retention None
 PCB Thickness Recommended (in) 0.070 In
 PCB Thickness Recommended (mm) 1.80 mm
 Packaging Type Tube
 Pitch - Mating Interface (in) 0.079 In
 Pitch - Mating Interface (mm) 2.00 mm
 Plating min: Mating (µin) 30
 Plating min: Mating (µm) 0.75
 Plating min: Termination (µin) 30
 Plating min: Termination (µm) 0.75
 Polarized to PCB Yes
 Surface Mount Compatible (SMC) Yes
 Temperature Range - Operating -55°C to +105°C
 Termination Interface: Style Through Hole - Compliant Pin

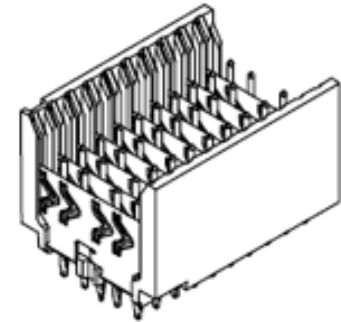


image - Reference only

Series

EU RoHS

RoHS Compliant by Exemption

REACH SVHC

Contains SVHC: No

Halogen-Free

Status

Halogen-Free

China RoHS



Pb

Need more information on product environmental compliance?

Email productcompliance@molex.com
 For a multiple part number RoHS Certificate of Compliance, [click here](#)

Please visit the [Contact Us](#) section for any non-product compliance questions.

Search Parts in this Series

[74695Series](#)

Mates With

[74670 HSD Daughtercard](#)

Application Tooling | FAQ

Tooling specifications and manuals are found by selecting the products below. Crimp Height Specifications are then contained in the Application Tooling Specification document.

Global

Description	Product #
VHDM® 5 Row Pin and Shield Repair Tool	0622015810
VHDM® 5 Row Shield Extraction Tool	0622016010
VHDM-HSD™ Signal Header, 5 Row by 10 Wide, 20.00mm (.787")	0622020201

Electrical

Current - Maximum per Contact	1A
Data Rate	5.0 Gbps
Shielded	Yes
Voltage - Maximum	120V AC (RMS)/DC

Material Info**Reference - Drawing Numbers**

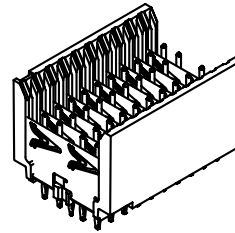
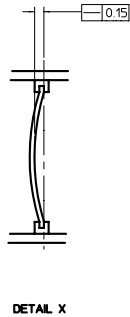
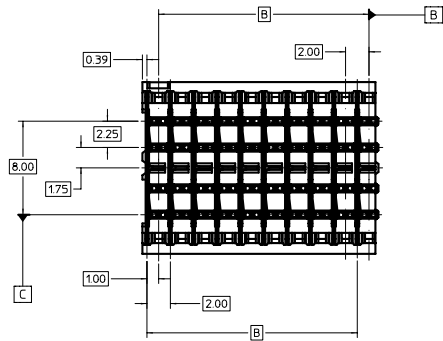
Packaging Specification	PK-74695-003
Sales Drawing	E-74695-002, SD-74695-003

VHDM-HSD is a trademark of Amphenol Corporation

This document was generated on 06/08/2010

PLEASE CHECK WWW.MOLEX.COM FOR LATEST PART INFORMATION

20 19 18 17 16 15 14 13 12 11 74695 9 8 7 6 5 4 3 2 1



74695-**0*

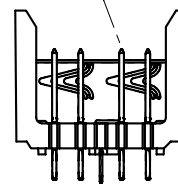
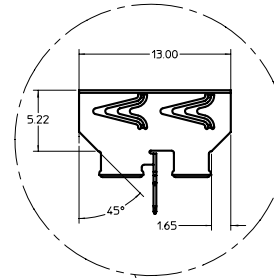
COLUMN CODE
11 OR 26

PIN HEIGHT
1 & 6 = 4.75
2 & 7 = 6.25
3 & 8 = 4.25
4 & 9 = 5.15

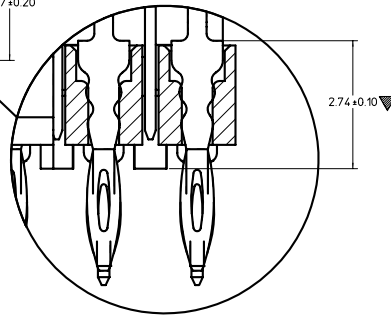
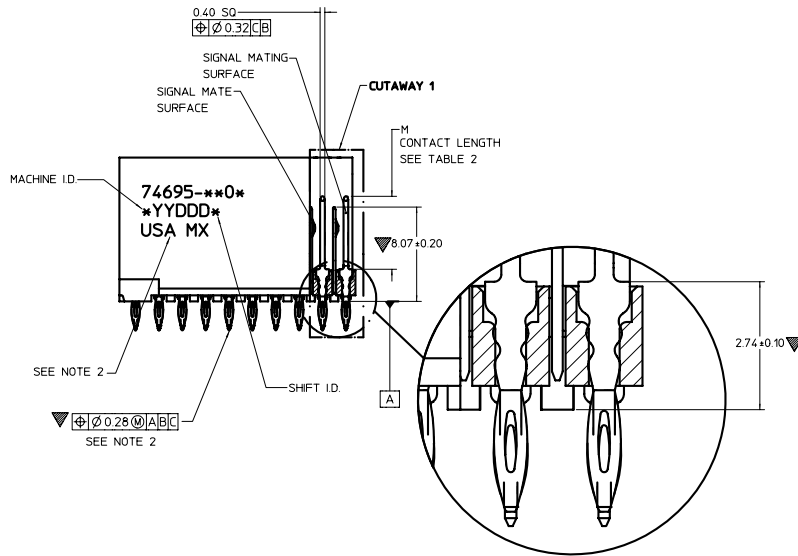
MODULE CODE
0 = OPEN

ASSEMBLY M/N	B	TOTAL NUMBER OF SIGNAL CONTACT	TOTAL NUMBER OF GROUND SHIELD
74695-110*	18.00	40	10
74695-260*	48.00	100	25

PLATING PER	ASSEMBLY M/N	HOUSING	SIGNAL CONTACT		SHIELD CONTACT
			M/N	LENGTH M	
30 GOLD	74695-110*	74689-0010	74054-*	**1-4	74688-6527
	74695-260*	74689-0025	1=4.75	2=6.25	
50 GOLD	74695-110*	74689-0010	74354-*	3=4.25	74688-6922
	74695-260*	74689-0025			



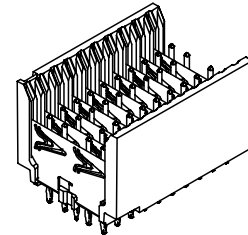
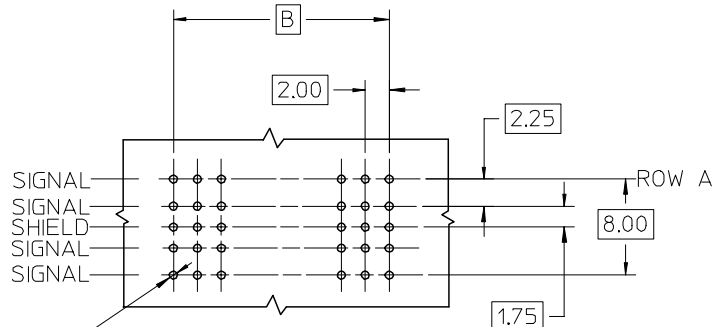
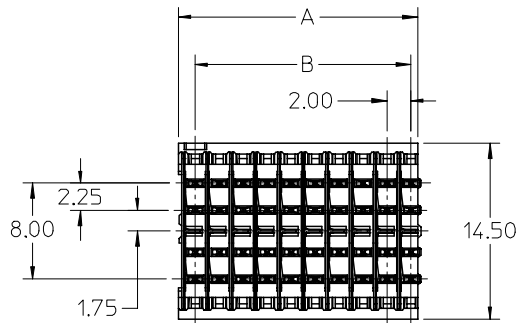
- NOTES:
1. SHIELDS SHALL BE STRAIGHT WITH MAXIMUM ALLOWABLE BOW OF 0.15 ON EITHER SIDE. SEE DETAIL X.
 2. TAIL SIDE POSITION TOLERANCE TO BE INSPECTED USING GAGE 74047-0046.
 3. PACKAGE PER PK-74695-003.
 4. EITHER MARK PARTS WITH PART NUMBER AND DATE CODE APPROXIMATELY WHERE SHOWN OR PLACE LABEL ON THE TUBE
 5. MATING SIDE POSITION TOLERANCE OF SIGNAL PINS AND STRAIGHTNESS TOLERANCE OF SHIELD TO BE INSPECTED USING GAGE 74047-0043.



SCALE 20:1

EC NO: UDT2002-0291 DRAWN BY: MOWANG 2001/09/12 CHKD BY: NMARTIN 2001/09/12 APPR: CBXLER 2001/09/13	QUALITY SYMBOLS -5 -0	GENERAL TOLERANCES (UNLESS SPECIFIED)		SCALE 5:1	DESIGN UNITS METRIC	THIRD ANGLE PROJECTION	REVISE ON CAD ONLY
		4 PLACES ±	3 PLACES ±	2 PLACES ±0.05	1 PLACE ±0.13	DIMENSION STYLE MM ONLY	
DESCRIPTION	DRAFT WHERE APPLICABLE MUST REMAIN WITHIN DIMENSIONS	ANGULAR ±1/2°		DRAWN BY MOWANG	DATE 2001/08/02	MATERIAL NO SEE TABLE	DOCUMENT NO E-74695-002
		APPROVED BY CBXLER		DATE 2001/08/02	SHEET NO 1 OF 1		
THIS DRAWING CONTAINS INFORMATION THAT IS PROPRIETARY TO MOLEX INCORPORATED AND SHOULD NOT BE USED WITHOUT WRITTEN PERMISSION							

19 18 17 16 15 14 13 12 11 10 9 8 7 6 5 4 3 2 1

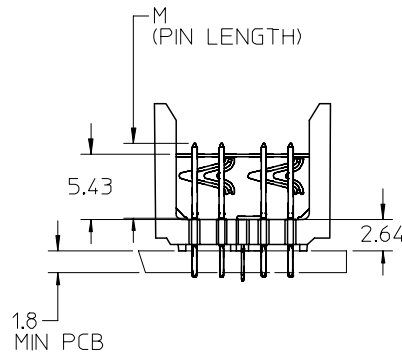
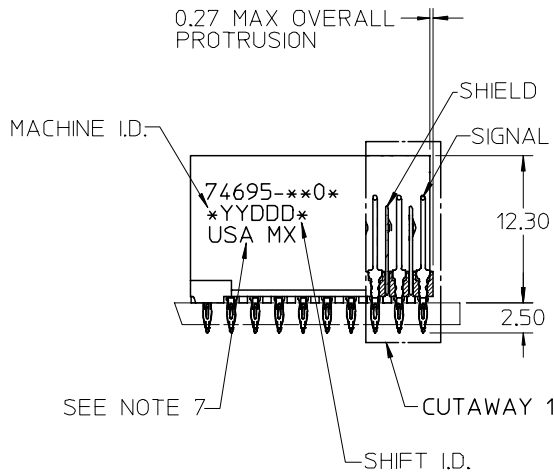


$\varnothing 0.66$ DRILL
 $\varnothing 0.56 \pm 0.05$ PTH
 $\varnothing 1.00$ PAD
 $\varnothing 0.10$

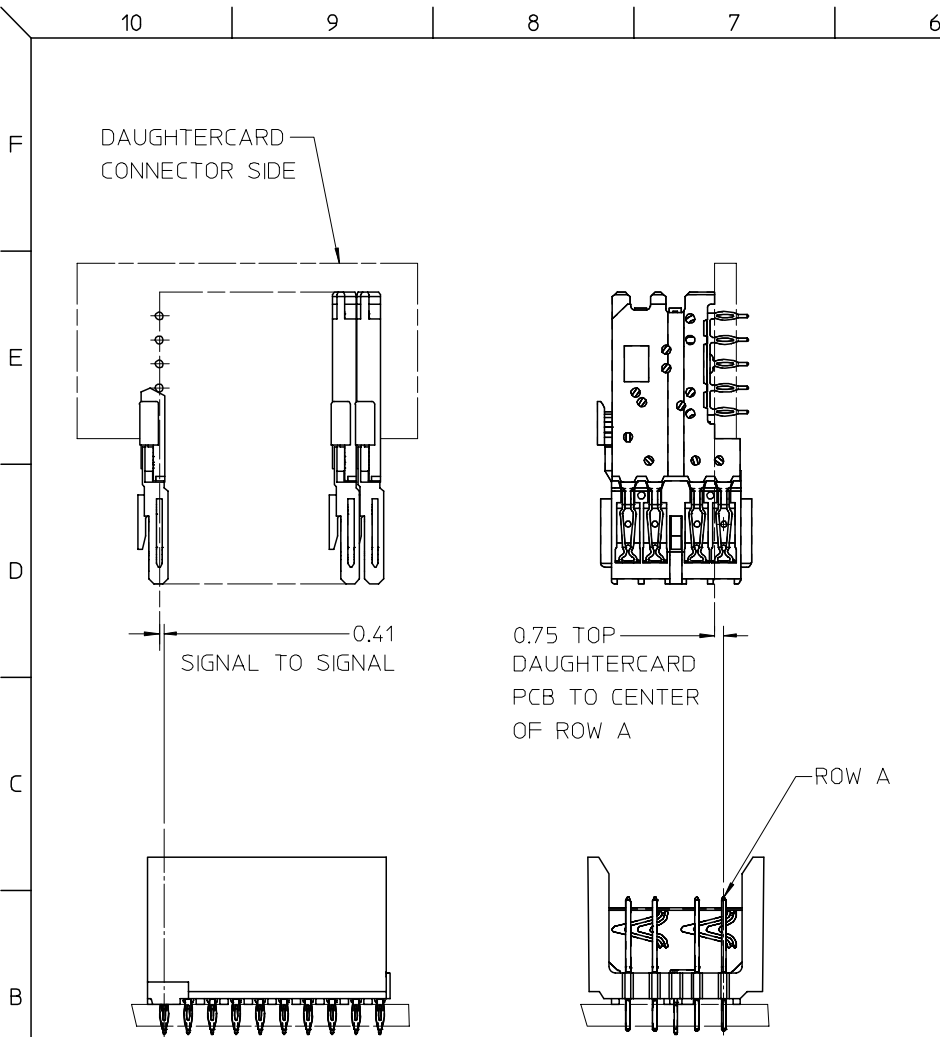
BACKPLANE HOLE PATTERN
RECOMMENDED DIMENSION

NOTES:

1. MATERIAL: HOUSING -LIQUID CRYSTAL POLYMER (LCP). GLASS-FILLED. UL94 V-0. COLOR: BLACK. SIGNAL & SHIELD -COPPER ALLOY.
2. FINISHES: SELECTIVE GOLD (Au) ON CONTACT AREA, SELECTIVE TIN/LEAD (Sn/Pb) ON TAILS, NICKEL (Ni) OVERALL.
3. THIS PART CONFORMS TO MOLEX PRODUCT SPECIFICATION PS-74031-999.
4. FOR MIXED CONTACT MATING LENGTHS CONSULT MOLEX FOR AVAILABILITY.
5. FOR SPECIFIC PART NUMBER AND MATING INFORMATION REFER TO SHEET 2.
6. PACKAGE PER PK-74695-003.
7. EITHER MARK PART NUMBER AND DATE CODE APPROXIMATELY WHERE SHOWN OR PLACE LABEL ON THE TUBE.



REVISED - PLATING NOTE EC NO: UCP2005-2161 DRWN: JBINGHAM 2005/04/07 CHKD: 2005/04/07 APPR: CBXLER 2005/04/08	QUALITY SYMBOLS DESCRIPTION	GENERAL TOLERANCES (UNLESS SPECIFIED)	SCALE 2.5:1 DESIGN UNITS METRIC	THIRD ANGLE PROJECTION REVISE ON CAD ONLY															
	▼ = 0 ▽ = 0	<table border="1"> <thead> <tr> <th></th> <th>mm</th> <th>INCH</th> </tr> </thead> <tbody> <tr> <td>4 PLACES</td> <td>± ---</td> <td>± ---</td> </tr> <tr> <td>3 PLACES</td> <td>± ---</td> <td>± ---</td> </tr> <tr> <td>2 PLACES</td> <td>± ---</td> <td>± ---</td> </tr> <tr> <td>1 PLACE</td> <td>± ---</td> <td>± ---</td> </tr> </tbody> </table> ANGULAR ±1/2°		mm	INCH	4 PLACES	± ---	± ---	3 PLACES	± ---	± ---	2 PLACES	± ---	± ---	1 PLACE	± ---	± ---	DIMENSION STYLE MM ONLY	TITLE HSD SALES ASSEMBLY 5 ROW ADVANCED MATE OPEN END BACKPLANE
		mm	INCH																
	4 PLACES	± ---	± ---																
3 PLACES	± ---	± ---																	
2 PLACES	± ---	± ---																	
1 PLACE	± ---	± ---																	
DRAFT WHERE APPLICABLE MUST REMAIN WITHIN DIMENSIONS	DRAWN BY MQWANG CHECKED BY NMARTIN APPROVED BY CBXLER	DATE 2001/10/04 DATE 2001/10/05 DATE 2001/10/08	MATERIAL NO. SEE SHEET 2 DOCUMENT NO. SD-74695-003	SHEET NO. 1 OF 2															
REV	THIS DRAWING CONTAINS INFORMATION THAT IS PROPRIETARY TO MOLEX INCORPORATED AND SHOULD NOT BE USED WITHOUT WRITTEN PERMISSION	MOLEX INCORPORATED	B	B															



74695									
PART NUMBER	COLUMN	NUMBER OF SIGNALS	NUMBER OF SHIELDS	A	B	M	Au (um) THICKNESS	Sn (um) THICKNESS	
74695-1101	10	40	10	20.00	18.00	4.75	0.76	0.76-1.52	
74695-1106							1.27		
74695-2601	25	100	25	50.00	48.00		0.76		
74695-2606							1.27		
74695-1102	10	40	10	20.00	18.00	6.25	0.76		
74695-1107							1.27		
74695-2602	25	100	25	50.00	48.00		0.76		
74695-2607							1.27		
74695-1103	10	40	10	20.00	18.00	4.25	0.76		
74695-1108							1.27		
74695-2603	25	100	25	50.00	48.00		0.76		
74695-2608							1.27		
74695-1104	10	40	10	20.00	18.00	5.15	0.76		
74695-1109							1.27		
74695-2604	25	100	25	50.00	48.00		0.76		
74695-2609							1.27		

SEE SHEET 1 EC NO: UCP2005-2161 DRWN: JBINGHAM 2005/04/07 CHKD: 2005/04/07 APPR: CBIXLER 2005/04/08	QUALITY SYMBOLS	GENERAL TOLERANCES (UNLESS SPECIFIED)		SCALE 2.5:1	DESIGN UNITS METRIC	THIRD ANGLE PROJECTION	REVISE ON CAD ONLY
	▼ = 0 ∇ = 0		mm	INCH	DIMENSION STYLE MM ONLY		TITLE HSD SALES ASSEMBLY 5 ROW ADVANCED MATE OPEN END BACKPLANE
		4 PLACES	± ---	± ---	DRAWN BY	DATE	
		3 PLACES	± ---	± ---	MQWANG	2001/10/04	
	2 PLACES	± ---	± ---	CHECKED BY	DATE	MOLEX INCORPORATED	
	1 PLACE	± ---	± ---	NMARTIN	2001/10/05		
		ANGULAR ±1/2°		APPROVED BY	DATE	MATERIAL NO.	DOCUMENT NO.
		DRAFT WHERE APPLICABLE		CBIXLER	2001/10/08	SEE TABLE	SD-74695-003
		MUST REMAIN WITHIN DIMENSIONS		THIS DRAWING CONTAINS INFORMATION THAT IS PROPRIETARY TO MOLEX INCORPORATED AND SHOULD NOT BE USED WITHOUT WRITTEN PERMISSION			
							SHEET NO. 2 OF 2