

PLEASE CHECK WWW.MOLEX.COM FOR LATEST PART INFORMATION

Part Number: [0584740000](#)
Status: **Active**
Description: HMC™ Rectangular Industrial Wire-to-Wire Bracket Cover, 40 Circuit, External Thread, PG29, for Large Plug

Documents:

[Drawing \(PDF\)](#) [RoHS Certificate of Compliance \(PDF\)](#)
[Product Specification PS-54478-001 \(PDF\)](#)

Agency Certification

TUV R72081037

General

Product Family	I/O Connectors
Series	58474
Application	Wire-to-Wire
Comments	for Large Plug
Component Type	Wire-to-Wire Bracket Cover
Product Name	HMC™
Type	N/A

Physical

Circuits (Loaded)	40
Lock to Mating Part	Yes
Material - Plating Mating	n/a
Orientation	Vertical
Packaging Type	Bag
Panel Mount	N/A
Pitch - Mating Interface (in)	0.000 In
Pitch - Mating Interface (mm)	0.00 mm
Polarized to Mating Part	Yes
Temperature Range - Operating	-40°C to +125°C
Termination Interface: Style	N/A
Waterproof / Dustproof	Yes
Waterproof / Dustproof Type	IP65

Electrical

Current - Maximum per Contact N/A

Material Info

Reference - Drawing Numbers

Product Specification	PS-54478-001
Sales Drawing	SD-58474-001

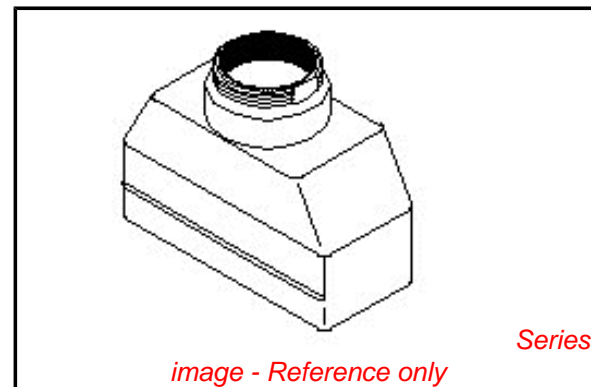


image - Reference only

EU RoHS

**ELV and RoHS
Compliant**
**REACH SVHC
Not Reviewed**
**Halogen-Free
Status
Not Reviewed**

China RoHS



**Need more information on product
environmental compliance?**

Email productcompliance@molex.com
 For a multiple part number RoHS Certificate of Compliance, [click here](#)

Please visit the [Contact Us](#) section for any non-product compliance questions.

Search Parts in this Series

[58474Series](#)

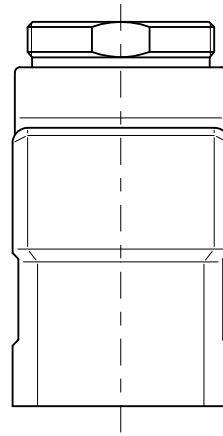
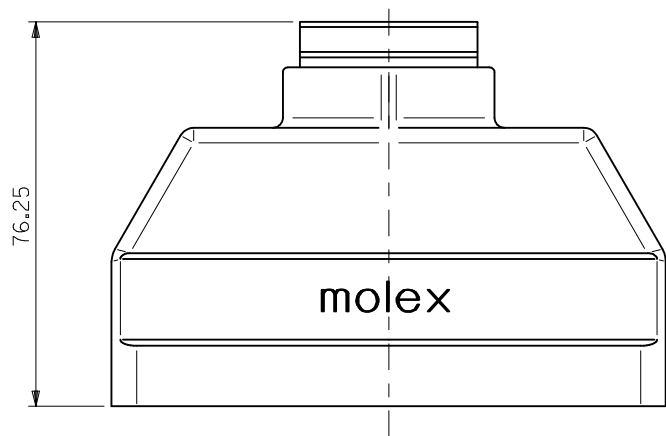
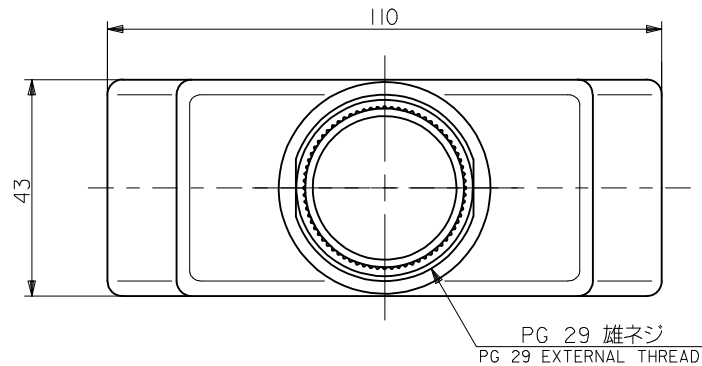
Mates With

[58462-1011 hood](#), [58461-0011 hood](#),
[58461-1011 hood](#), [58462-0011hood](#)

Use With

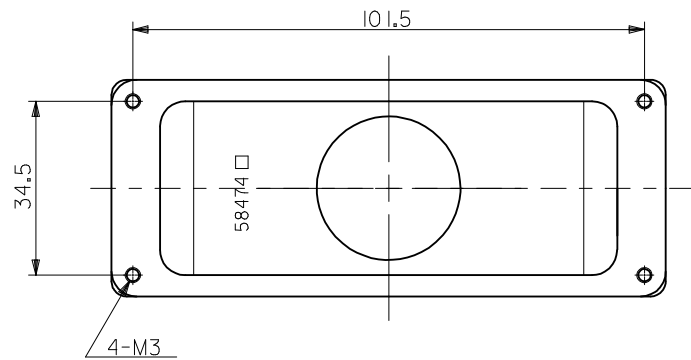
[58783-0011](#) panel-mount bracket

10 9 8 7 6 5 4 3 2 1



注)
NOTES

1. 適用リセプタクルシェルアッセンブリ : 58783-0010
APPLICABLE RECEPTACLE SHELL ASS'Y : 58783-0010
2. 適用エンドベルキャップセット : 58550-****
APPLICABLE END BELL CAP SET : 58550-****
3. 適用取り付けねじ (リセプタクルシェルアッセンブリ) : M3×10
APPLICABLE SCREW (RECEPTACLE SHELL ASS'Y) : M3×10

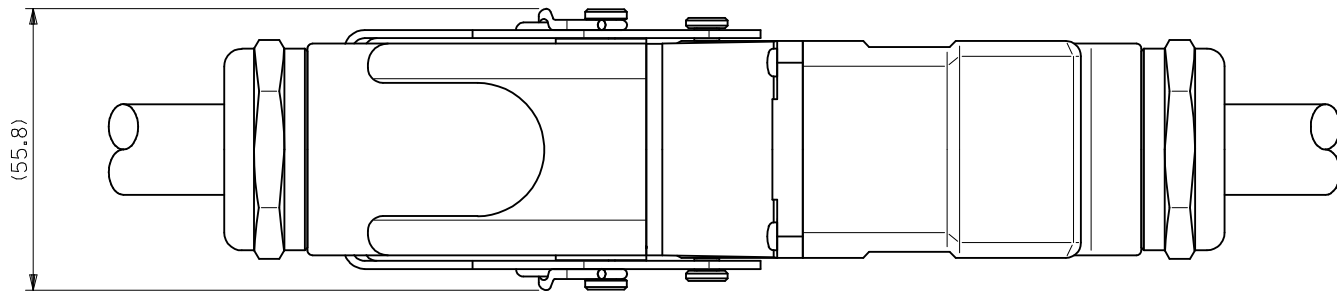
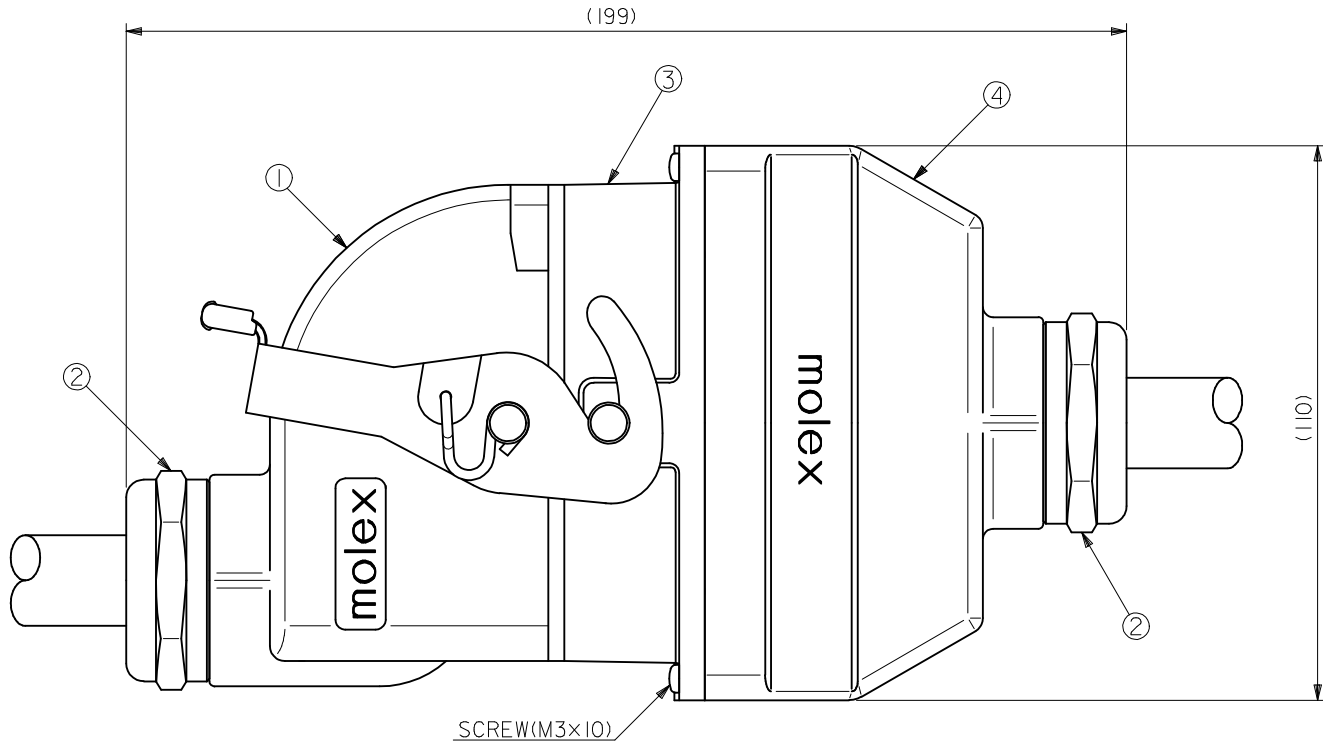


58474-0000

製品番号
ENG. NO.

REVISED EC NO: J2009-1217 DRWN: YOSHIDAM 2008/12/15 CHKD: THARUYAMA 2008/12/15 APPR: NUKITA 2008/12/16	GENERAL TOLERANCES (UNLESS SPECIFIED)		DIMENSION STYLE MM ONLY	SCALE 1:1	DESIGN UNITS METRIC	THIRD ANGLE PROJECTION
	10 UNDER	± ---	DRAWN BY J. MIYAZAWA	DATE	TITLE ROBOT CONN. WIRE TO WIRE TYPE LARGE COVER (EXTERNAL THREAD TYPE)	
	10 OVER 30 UNDER	± ---	CHECKED BY Y. ITO	DATE	MOLEX INCORPORATED	
	30 OVER	± ---	APPROVED BY H. IKESUGI	DATE	MATERIAL NO. SEE TABLE	DOCUMENT NO. SD-58474-001
ANGULAR ± --- °		DRAFT WHERE APPLICABLE MUST REMAIN WITHIN DIMENSIONS		THIS DRAWING CONTAINS INFORMATION THAT IS PROPRIETARY TO MOLEX INCORPORATED AND SHOULD NOT BE USED WITHOUT WRITTEN PERMISSION		

10 9 8 7 6 5 4 3 2 1



SCREW(M3x10)

部番 NO.	製品番号 ENG. NUMBER	製品名称 NAME
①	58462-0010	ラージ プラグ カバー アッセンブリ LARGE PLUG COVER ASS'Y
②	58550-****	エンド ベル キャップ セット END BELL CAP SET
③	58783-0010	ラージ リセプタクル シェル アッセンブリ LARGE RECEPTACLE SHELL ASS'Y
④	58474-0000	中継タイプ ラージ カバー WIRE TO WIRE TYPE LARGE COVER

REVISED	EC NO: J2009-1217	2008/12/15
	DRWN: YOSHIDAM	2008/12/15
	CHKD: THARUYAMA	2008/12/16
	APPR: NUKITA	

GENERAL TOLERANCES (UNLESS SPECIFIED)	
10 UNDER	± ---
10 OVER 30 UNDER	± ---
30 OVER	± ---
ANGULAR	± --- °
DRAFT WHERE APPLICABLE MUST REMAIN WITHIN DIMENSIONS	

DIMENSION STYLE MM ONLY	
DRAWN BY	DATE
CHECKED BY	DATE
APPROVED BY	DATE
MATERIAL NO.	
SEE SHEET 1	
SIZE	A3

SCALE	DESIGN UNITS	THIRD ANGLE PROJECTION
1:1	METRIC	
TITLE		
ROBOT CONN. WIRE TO WIRE TYPE MATED CONNECTORS (EXTERNAL THREAD TYPE)		
MOLEX INCORPORATED		
DOCUMENT NO.	SHEET NO.	
SD-58474-001	2 OF 2	
THIS DRAWING CONTAINS INFORMATION THAT IS PROPRIETARY TO MOLEX INCORPORATED AND SHOULD NOT BE USED WITHOUT WRITTEN PERMISSION		