

**PLEASE CHECK WWW.MOLEX.COM FOR LATEST PART INFORMATION**

**Part Number:** [0559321430](#)  
**Status:** **Active**  
**Overview:** microclasp  
**Description:** 2.00mm (.079") Pitch MicroClasp™ Wire-to-Board Header, Single Row, Vertical, 14 Circuits, without PCB Locator

**Documents:**

[3D Model](#) [Product Specification PS-51382-004 \(PDF\)](#)  
[Drawing \(PDF\)](#) [RoHS Certificate of Compliance \(PDF\)](#)

**General**

Product Family	PCB Headers
Series	<a href="#">55932</a>
Application	Wire-to-Board
Overview	<a href="#">microclasp</a>
Product Name	MicroClasp™

**Physical**

Breakaway	No
Circuits (Loaded)	14
Circuits (maximum)	14
Color - Resin	Natural
Durability (mating cycles max)	30
First Mate / Last Break	No
Glow-Wire Compliant	No
Guide to Mating Part	No
Keying to Mating Part	None
Lock to Mating Part	Yes
Material - Plating Mating	Tin
Material - Plating Termination	Tin
Material - Resin	Polyester
Number of Rows	1
Orientation	Vertical
PC Tail Length (in)	0.126 In
PC Tail Length (mm)	3.20 mm
PCB Locator	No
PCB Retention	Yes
PCB Thickness Recommended (in)	0.062 In
PCB Thickness Recommended (mm)	1.60 mm
Packaging Type	Tray
Pitch - Mating Interface (in)	0.079 In
Pitch - Mating Interface (mm)	2.00 mm
Shrouded	Fully
Stackable	No
Surface Mount Compatible (SMC)	No
Temperature Range - Operating	-25°C to +85°C
Termination Interface: Style	Through Hole

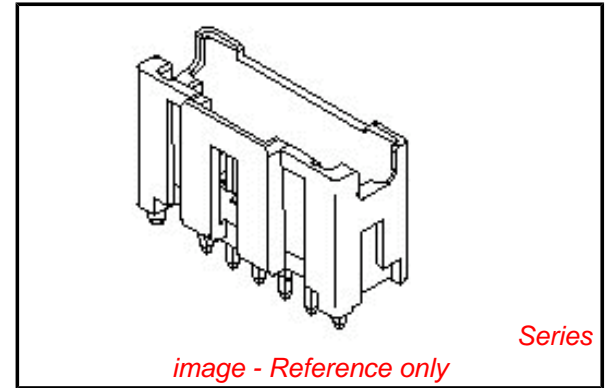
**Electrical**

Current - Maximum per Contact	3A
Voltage - Maximum	250V

**Material Info**

**Reference - Drawing Numbers**

Packaging Specification	SPK-55932-001
-------------------------	---------------



**EU RoHS**

**ELV and RoHS Compliant**  
**REACH SVHC Contains SVHC: No**  
**Halogen-Free Status**

**China RoHS**



**Not Reviewed**

**Need more information on product environmental compliance?**

Email [productcompliance@molex.com](mailto:productcompliance@molex.com)  
 For a multiple part number RoHS Certificate of Compliance, [click here](#)

Please visit the [Contact Us](#) section for any non-product compliance questions.

**Search Parts in this Series**

[55932Series](#)

**Mates With**

[51382 MicroClasp™ Wire-to-Board Receptacle Housing](#)

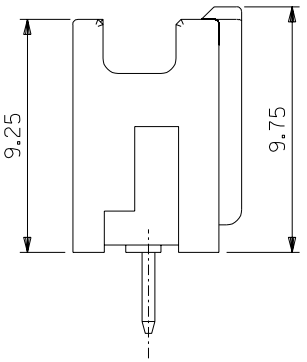
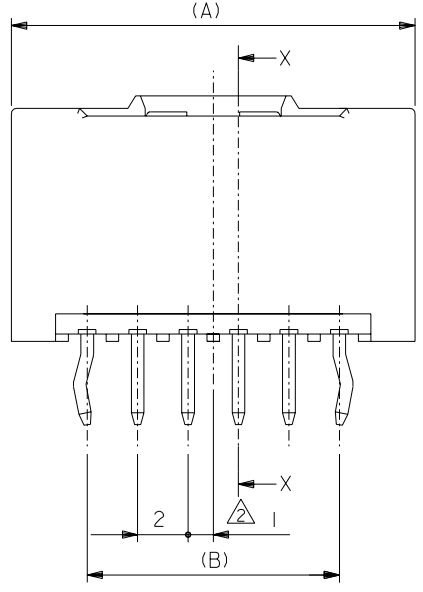
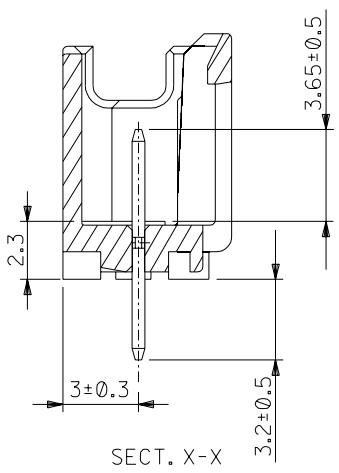
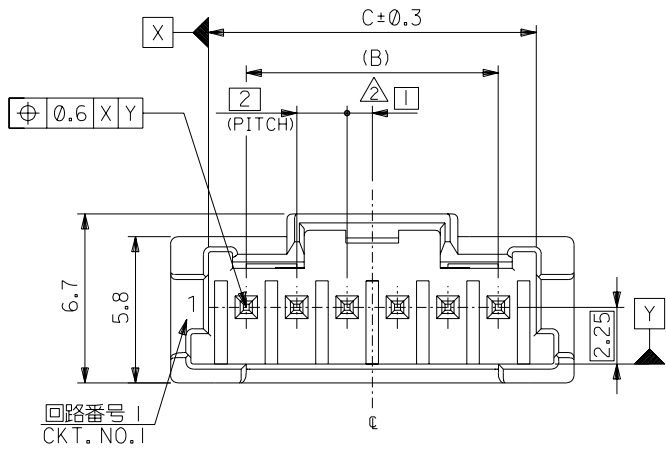
Product Specification

Sales Drawing

PS-51382-004, RPS-51382-006, RPS-51382-007,  
RPS-51382-008, RPS-51382-009, RPS-51382-010,  
RPS-51382-012, RPS-51382-013, RPS-51382-014  
SD-55932-006, SD-55932-007

This document was generated on 05/25/2010

**PLEASE CHECK [WWW.MOLEX.COM](http://WWW.MOLEX.COM) FOR LATEST PART INFORMATION**



NOTE

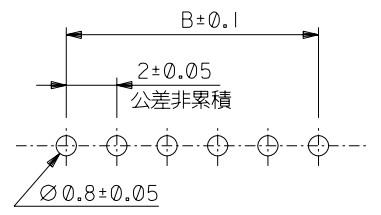
1. 嵌合相手: 51382-\*\*\*\*
2. 偶数極(列)に適用。
3. キンフは両外側の位置に付加。

製品番号 MATERIAL NO.  
55932-\*\*\*\*

極数 CIRCUIT SIZE

色 COLOR

30	自然色(白) NATURAL(WHITE)
31	黒 BLACK
32	赤 RED
33	黄 YELLOW
34	青 BLUE
35	桃 PINK
36	緑 GREEN
37	茶 BROWN
38	橙 ORANGE
39	紫 VIOLET
51	灰 GRAY
53	蛍光黄 FLUORESCENT YELLOW
54	水 PALE BLUE
55	蛍光桃 FLUORESCENT PINK
56	黄緑 YELLOWISH GREEN
58	蛍光橙 FLUORESCENT ORANGE



推奨基板寸法  
(t = 1.6)

31	28	34	55932-15**	15
29	26	32	55932-14**	14
27	24	30	55932-13**	13
25	22	28	55932-12**	12
23	20	26	55932-11**	11
21	18	24	55932-10**	10
19	16	22	55932-09**	9
17	14	20	55932-08**	8
15	12	18	55932-07**	7
13	10	16	55932-06**	6
11	8	14	55932-05**	5
9	6	12	55932-04**	4
7	4	10	55932-03**	3
5	2	8	55932-02**	2
C	B	A	△ MATERIAL NO.	CKT.

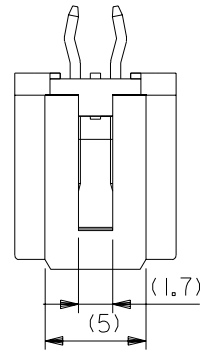
DO NOT SCALE DRAWING

REVISED '04/05/31 #62NO. J2004-4514 DRWN: M. ERIGUCHI CHK: K. ASAKAWA APPR: S. ICHIKAWA	REVISED '03/06/12 #61NO. J2003-3127 DRWN: N. ITO CHK: K. ASAKAWA APPR: T. YAMAGUCHI	REVISED '03/04/04 #60NO. J2003-2421 DRWN: N. ITO CHK: K. ASAKAWA APPR: T. YAMAGUCHI
G	F	E

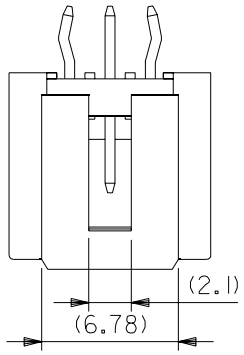
MATERIAL 材料 ピン: 黄銅、ニッケル下地錫メッキ ハウジング: PBT	FINISH 仕上り	WIRE RANGE 適用線径範囲	INS. RANGE 被覆外径
---	---------------	----------------------	--------------------

GENERAL TOLERANCES: (UNLESS SPECIFIED) 一般公差	SCALE	DESIGN UNITS <input checked="" type="checkbox"/> mm <input type="checkbox"/> INCH	PROJECTION <input checked="" type="checkbox"/> 1st ANGLE <input type="checkbox"/> 3RD ANGLE
10 UNDER 未満 ±0.2	DRAWN BY & DATE T.NIITSU '02/2/8	30 UNDER 未満 ±0.25	CHECKED BY & DATE K.ASAKAWA '03/6/12
10 OVER 以上 ±0.3	APPROVED BY & DATE T.YAMAGUCHI '03/6/12	30 OVER 以上 ±0.3	CAD FILENAME SD-55932-006.S01
ANGLE 角度 ±3°	TITLE: 2.0 W/B SINGLE CONN. PLUG HOUSING ASS'Y ST -LEAD FREE-		MATERIAL NO. 55932-****

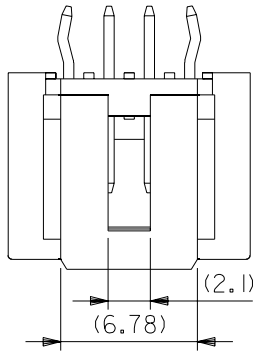
MODEL NO.: 55932-****	DIMENSIONS: <input type="checkbox"/> mm <input type="checkbox"/> INCH		SHT	REV
MATERIAL NO. 55932-****		DRAWING NO. SD-55932-006		SHEET NO. 1 of 2
MOLEX INCORPORATED				SIZE B
THIS DRAWING CONTAINS INFORMATION THAT IS PROPRIETARY TO MOLEX INCORPORATED AND SHOULD NOT BE USED WITHOUT WRITTEN PERMISSION.				EN-02J(097) MXJ-54



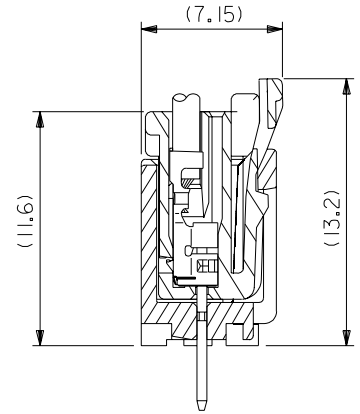
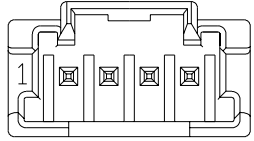
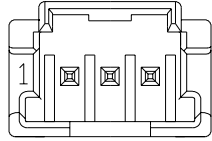
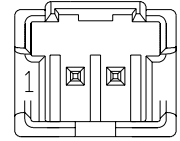
2 CIRCUIT



3 CIRCUIT



4 CIRCUIT



嵌合断面図

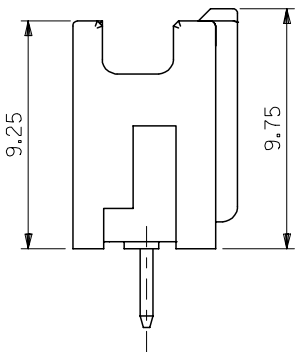
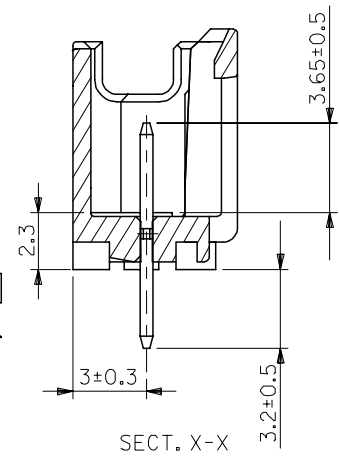
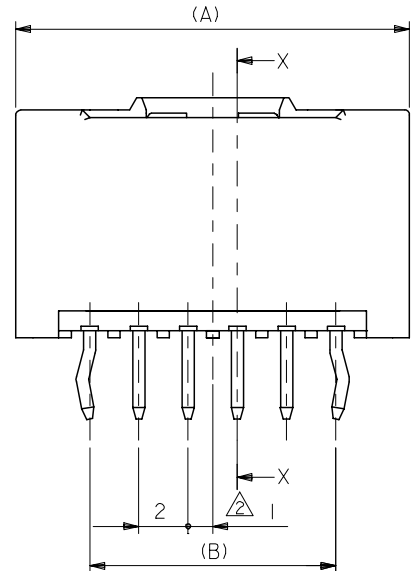
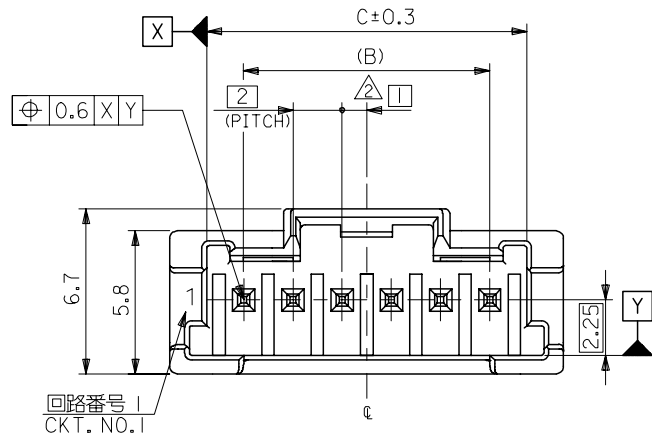
DO NOT SCALE DRAWING

E64NO. DRWN: CH'K: APPR:	E63NO. DRWN: CH'K: APPR:	REVISED '04/05/31 E62NO. J2004-4514 DRWN: M.ERIGUCHI CH'K: K.ASAKAWA APPR: S.ICHIKAWA	REVISED '03/06/12 E61NO. J2003-3127 DRWN: N.IITO CH'K: K.ASAKAWA APPR: T.YAMAGUCHI	REVISED '03/04/04 E60NO. J2003-2421 DRWN: N.IITO CH'K: K.ASAKAWA APPR: T.YAMAGUCHI
SEE SHEET 1 OF 2				
<del>FINISH 仕上り</del>				
WIRE RANGE 適用線径範囲				
INS. RANGE 被覆外径				

MATERIAL 材料	SEE SHEET 1 OF 2
GENERAL TOLERANCES: (UNLESS SPECIFIED) 一般公差	10 UNDER 未満 ±0.2 10 OVER 以上 30 UNDER 未満 ±0.25 30 OVER 以上 ±0.3
ANGLE 角度	±3°

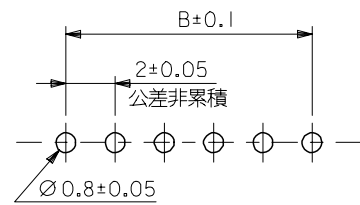
MODEL NO.: 55932-****	DIMENSIONS:	SHT	REV
SCALE	DESIGN UNITS <input checked="" type="checkbox"/> mm <input type="checkbox"/> INCH	<input type="checkbox"/> mm <input type="checkbox"/> INCH <input checked="" type="checkbox"/> mm ONLY	REVISE ON CAD ONLY
DRAWN BY & DATE T.NIITSU '02/2/8	CHECKED BY & DATE K.ASAKAWA '03/6/12	TITLE: 2.0 W/B SINGLE CONN. PLUG HOUSING ASS'Y ST -LEAD FREE-	
APPROVED BY & DATE T.YAMAGUCHI '03/6/12	MATERIAL NO. 55932-****		
CAD FILENAME SD-55932-006.S02	DRAWING NO. SD-55932-006	SHEET NO. 2 of 2	
THIS DRAWING CONTAINS INFORMATION THAT IS PROPRIETARY TO MOLEX INCORPORATED AND SHOULD NOT BE USED WITHOUT WRITTEN PERMISSION.			SIZE B

10 9 8 7 6 5 4 3 2 1



NOTE

- 1. 嵌合相手：51382-\*\*\*\*
- △ 偶数極（列）に適用。
- 3. キングは両外側の位置に付加。
- 4. ピン：黄銅、ニッケル下地錫メッキ  
ハウジング：PBT
- △ 適合リテーナー：500638シリーズ  
APPLICABLE RETAINER：500638 SERIES.
- △ 製品番号 MATERIAL NO.



推奨基板寸法  
(t = 1.6)

55932-\*\*\*\*

極数 CIRCUIT SIZE

色 COLOR

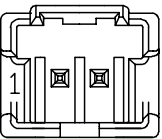
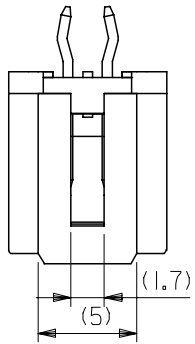
30	自然色 (白) NATURAL (WHITE)
31	黒 BLACK
32	赤 RED
33	黄 YELLOW
34	青 BLUE
35	桃 PINK
36	緑 GREEN
37	茶 BROWN
38	橙 ORANGE
39	紫 VIOLET
51	灰 GRAY
53	蛍光黄 FLUORESCENT YELLOW
54	水 PALE BLUE
55	蛍光桃 FLUORESCENT PINK
56	黄緑 YELLOWISH GREEN
58	蛍光橙 FLUORESCENT ORANGE

31	28	34	55932-15**	15
29	26	32	55932-14**	14
27	24	30	55932-13**	13
25	22	28	55932-12**	12
23	20	26	55932-11**	11
21	18	24	55932-10**	10
19	16	22	55932-09**	9
17	14	20	55932-08**	8
15	12	18	55932-07**	7
13	10	16	55932-06**	6
11	8	14	55932-05**	5
9	6	12	55932-04**	4
7	4	10	55932-03**	3
5	2	8	55932-02**	2
C	B	A	△ MATERIAL NO.	CKT.

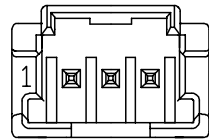
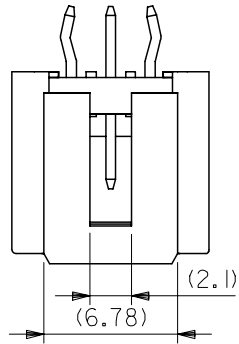
MODEL NO.: 55932-\*\*\*\*

RELEASED EC NO: J2006-1522 DRWN: MAEDA CHKD: NUKITA APPR: NUKITA	GENERAL TOLERANCES (UNLESS SPECIFIED)		DIMENSION STYLE MM ONLY		SCALE ---	DESIGN UNITS METRIC	THIRD ANGLE PROJECTION		
	10 UNDER	±0.2	DRAWN BY YMAEDA		DATE 2005/06/13	TITLE 2.0 W/B CONN.PLUG HOUSING ASS'Y WO BOSS -LEAD FREE-			
	10 OVER 30 UNDER	±0.25	CHECKED BY MTANAKA		DATE 2005/06/13				
	30 OVER	±0.3	APPROVED BY NUKITA		DATE 2005/06/13	MOLEX INCORPORATED			
	ANGULAR	±3 °	MATERIAL NO.		DOCUMENT NO. SD-55932-007				
0	DRAFT WHERE APPLICABLE MUST REMAIN WITHIN DIMENSIONS		SIZE A3		THIS DRAWING CONTAINS INFORMATION THAT IS PROPRIETARY TO MOLEX INCORPORATED AND SHOULD NOT BE USED WITHOUT WRITTEN PERMISSION				

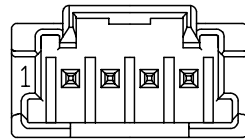
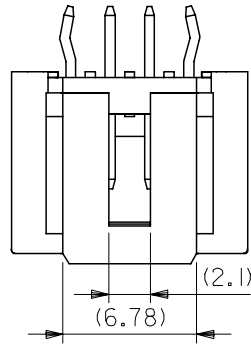
10 9 8 7 6 5 4 3 2 1



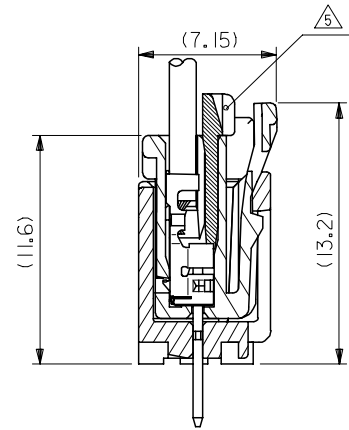
2 CIRCUIT



3 CIRCUIT



4 CIRCUIT



嵌合断面図

MODEL NO. : 55932-\*\*\*\*

RELEASED EC NO: J2006-1522 DRWN: MAEDA CHK: NUKITA APPR: NUKITA 0	2005/11/08 2005/11/08 2005/11/09	GENERAL TOLERANCES (UNLESS SPECIFIED)		DIMENSION STYLE MM ONLY	SCALE ---	DESIGN UNITS METRIC	THIRD ANGLE PROJECTION		
	10 UNDER	± 0.2	DRAWN BY YMAEDA		DATE 2005/06/13		TITLE 2.0 W/B CONN.PLUG HOUSING ASS'Y WO BOSS -LEAD FREE-		
	10 <sup>OVER</sup> 30 UNDER	± 0.25	CHECKED BY MTANAKA		DATE 2005/06/13		MOLEX INCORPORATED		
	30 <sup>OVER</sup>	± 0.3	APPROVED BY NUKITA		DATE 2005/06/13		DOCUMENT NO. SD-55932-007		
	ANGULAR ±3 °		DRAFT WHERE APPLICABLE MUST REMAIN WITHIN DIMENSIONS		MATERIAL NO. SEE CHART		SHEET NO. 2 OF 2		