

**PLEASE CHECK WWW.MOLEX.COM FOR LATEST PART INFORMATION**

**Part Number:** [0353741810](#)  
**Status:** **Active**  
**Description:** 0.76/2.29mm (.030/090") Tab Wire-to-Wire Duomate Hybrid Female Housing, 18 Circuits

**Documents:**

[Drawing \(PDF\)](#) [RoHS Certificate of Compliance \(PDF\)](#)  
[Product Specification PS-35376-001 \(PDF\)](#)

**General**

Product Family	Crimp Housings
Series	<a href="#">35374</a>
Product Name	N/A

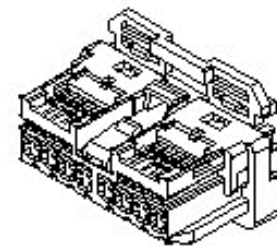
**Physical**

Circuits (maximum)	18
Color - Resin	Natural
Gender	Female
Glow-Wire Compliant	No
Material - Resin	Polyester
Number of Rows	2
Packaging Type	Bag
Panel Mount	No
Pitch - Mating Interface (in)	0.079 In, 0.147 In
Pitch - Mating Interface (mm)	2.00 mm, 3.80 mm
Stackable	No
Temperature Range - Operating	-40°C to +85°C

**Material Info**

**Reference - Drawing Numbers**

Product Specification	PS-35376-001
Sales Drawing	SD-35374-002



*image - Reference only*

*Series*

**EU RoHS**

**ELV and RoHS Compliant**  
**REACH SVHC**  
 Not Reviewed  
**Halogen-Free Status**

**China RoHS**



**Need more information on product environmental compliance?**

Email [productcompliance@molex.com](mailto:productcompliance@molex.com)  
 For a multiple part number RoHS Certificate of Compliance, [click here](#)

Please visit the [Contact Us](#) section for any non-product compliance questions.

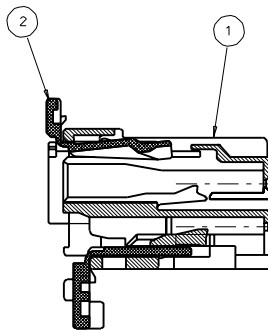
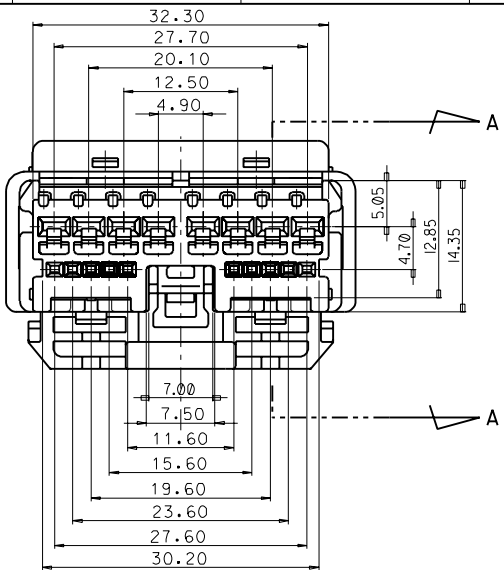
**Search Parts in this Series**  
[35374Series](#)

**Mates With**  
[35376](#)

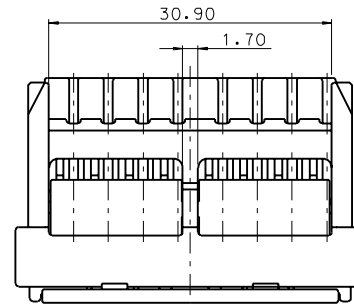
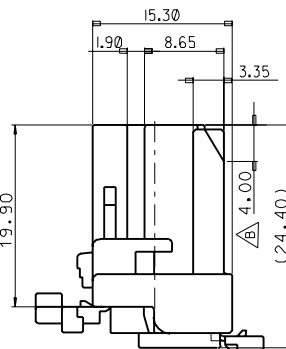
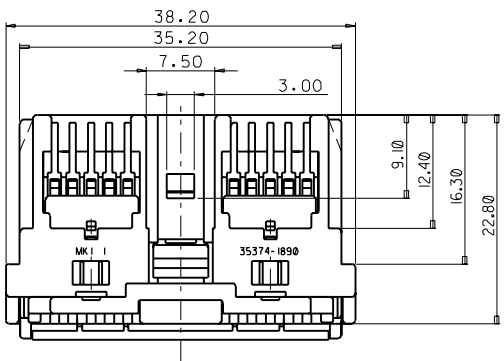
**Use With**  
[35421](#) , [35442](#)

PROJECT NO. 3  
SIMILAR ITEM  
EDF NO. 1  
SIMILAR ITEM  
ENG. NO. SD35374-002  
DWG. NO. SD35374-002

DO NOT SCALE DRAWING  
DIMENSION IN METRIC



SECTION A-A



NO.	P/NAME	P/NO.	MATERIAL	QTY
①	DUOMATE HYB. TYPE 18P FEMALE HSG	35374-1890	POLYESTER (PBT)	1
②	DUOMATE HYB. TYPE 18P FEMALE TPA	35379-1880	POLYESTER (PBT)	1

NOTES

- MATING TERMINAL PART NO :  
DUOMATE (O30) TYPE : 35442-1702  
UNICONN (O90) TYPE : 35421-6702, 35421-6802, 35421-6902
- MATING CONNECTOR PART NO : 35376-1810
- TERMINAL RETENTION FORC (COMBINED) : 10kgf MIN.

NEW RELEASE EC NO. DRAWING Y.S.K.KIMM 96/06/19 CHK: APPR:	DESCRIPTION MAJOR CRITICAL	QUALITY SYMBOLS	GENERAL TOLERANCES: (UNLESS SPECIFIED)	SCALE	DESIGN	MATERIAL	THIRD ANGLE PROJECTION	DIMENSIONS:	SHT	REV
			mm INCH	2:1	INCH	INCH		FRONT INCH MM MOLEX MOLEX-KOREA		REVISE ON CAD.DWG
A	REV	4 PLACES	±	DRAWN BY & DATE Y.S.K.KIMM 96	GENERAL TOLERANCE	DUOMATE HYBRID TYPE 18P				
		3 PLACES	±	CHECKED BY & DATE B.C.CHOI 96	DIMENSION :	FEMALE CONNECTOR ASS'Y				
		2 PLACES	±	APPROVED BY & DATE C.W.LEE 96/11/17	DIMENSION CLASSIFICATION	MOLEX INCORPORATED				
		1 PLACE	±		REFERENCE	TITEL KOREA				
				ANGULAR ±	CAD FILE NAME	MATERIAL NO.	DRAWING NO.			
				REVISION RECORD	ECN NO.	DESCRIPTION	SD35374-002			
				DRAFT WHERE APPLICABLE MUST REMAINTAIN DIMENSIONS	THIS DRAWING CONTAINS INFORMATION THAT IS PROPRIETARY TO MOLEX INCORPORATED AND SHOULD NOT BE USED WITHOUT WRITTEN PERMISSION.					