

**PLEASE CHECK WWW.MOLEX.COM FOR LATEST PART INFORMATION**

**Part Number:** [0353031450](#)  
**Status:** **Active**  
**Description:** 2.00mm (.079") Pitch Wire-to-Board Header, Vertical, Blade Pin, Shrouded, 14 Circuits

**Documents:**

[3D Model](#) [Product Specification PS-35303-001 \(PDF\)](#)  
[Drawing \(PDF\)](#) [RoHS Certificate of Compliance \(PDF\)](#)

**Agency Certification**

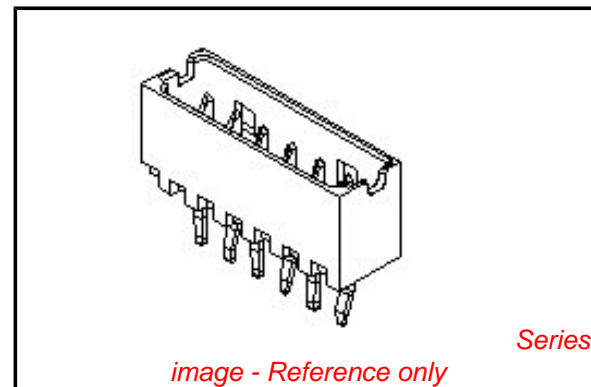
CSA LR 19980  
 UL E29179

**General**

Product Family PCB Headers  
 Series [35303](#)  
 Application Wire-to-Board  
 Product Name N/A

**Physical**

Breakaway No  
 Circuits (Loaded) 14  
 Circuits (maximum) 14  
 Color - Resin Natural  
 Durability (mating cycles max) 30  
 First Mate / Last Break No  
 Flammability 94V-0  
 Glow-Wire Compliant No  
 Guide to Mating Part No  
 Keying to Mating Part None  
 Lock to Mating Part Yes  
 Material - Metal Phosphor Bronze  
 Material - Plating Mating Tin  
 Material - Plating Termination Tin  
 Material - Resin Nylon  
 Number of Rows 1  
 Orientation Vertical  
 PC Tail Length (in) 0.138 In  
 PC Tail Length (mm) 3.50 mm  
 PCB Locator No  
 PCB Retention Yes  
 PCB Thickness Recommended (in) 0.062 In  
 PCB Thickness Recommended (mm) 1.60 mm  
 Packaging Type Tube  
 Pitch - Mating Interface (in) 0.079 In  
 Pitch - Mating Interface (mm) 2.00 mm  
 Plating min: Mating (µin) 32  
 Plating min: Mating (µm) 0.80  
 Plating min: Termination (µin) 32  
 Plating min: Termination (µm) 0.80  
 Polarized to PCB No  
 Shrouded Partial  
 Stackable No  
 Surface Mount Compatible (SMC) No  
 Temperature Range - Operating -20°C to +85°C  
 Termination Interface: Style Through Hole



**EU RoHS**

**ELV and RoHS Compliant**  
**REACH SVHC**  
 Not Reviewed  
**Halogen-Free Status**

**China RoHS**



**Need more information on product environmental compliance?**

Email [productcompliance@molex.com](mailto:productcompliance@molex.com)  
 For a multiple part number RoHS Certificate of Compliance, [click here](#)

Please visit the [Contact Us](#) section for any non-product compliance questions.

**Search Parts in this Series**

[35303Series](#)

**Mates With**

[51004 Wire-to-Board Housing](#)

**Electrical**

Current - Maximum per Contact

2A

Voltage - Maximum

125V

**Material Info****Reference - Drawing Numbers**

Product Specification

PS-35303-001

Sales Drawing

SD-35303-001, SD-35303-010

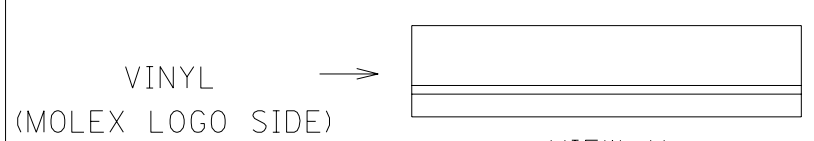
This document was generated on 04/06/2010

**PLEASE CHECK [WWW.MOLEX.COM](http://WWW.MOLEX.COM) FOR LATEST PART INFORMATION**

DWG. NO. SD-35303-001

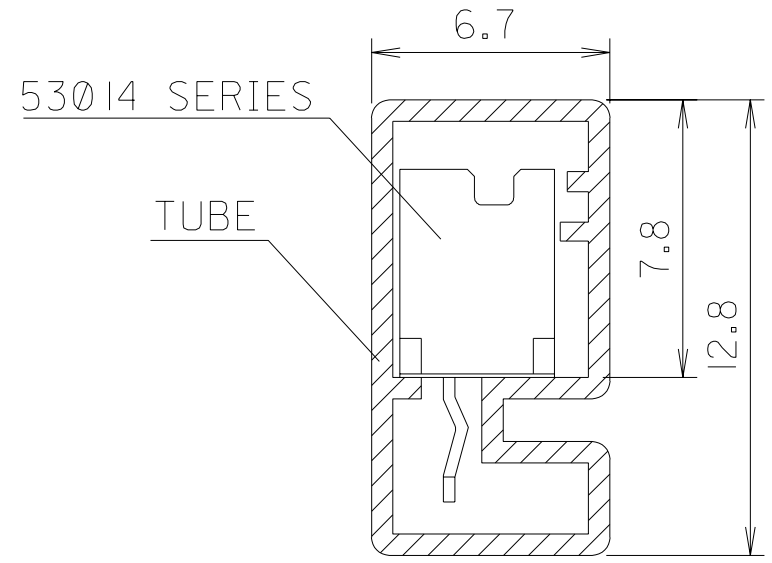
SIMILAR ITEM

PROJECT NO.



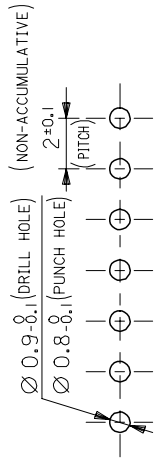
NOTES  
 1. TUBE : STOPPER & VINYL LOCKING TYPE  
 2. THICKNESS : 0.6+  
 3. LENGTH : 550mm

LEGEND 35303-\*\*\* 5 \*  
 COLOR : 0 --- NATURAL  
 1 --- BLACK  
 2 --- RED  
 3 --- YELLOW  
 4 --- BLUE  
 CKT (02, 03, 04, ...)



15	35303155*	35303-155*	8	35303085*	35303-085*	53014 SERIES	
14	35303145*	-145*	7	35303075*	-075*		
13	35303135*	-135*	6	35303065*	-065*		
12	35303125*	-125*	5	35303055*	-055*		
11	35303115*	-115*	4	35303045*	-045*		
10	35303105*	-105*	3	35303035*	-035*		
9	35303095*	35303-095*	2	35303025*	35303-025*		
CKTS	MAT'L NO.	ENG NO.	CKTS	MAT'L NO.	ENG NO.		USED ON

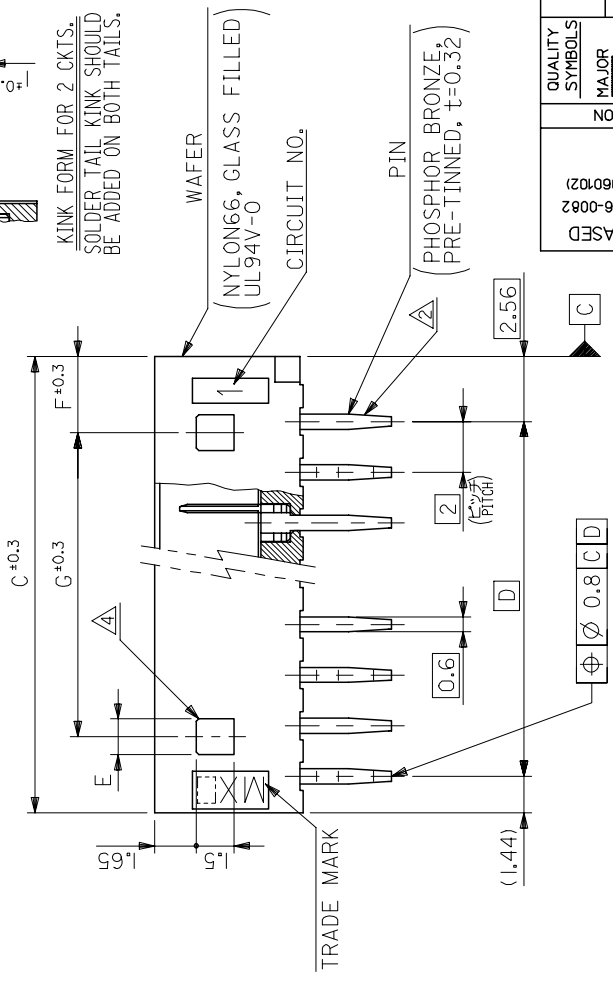
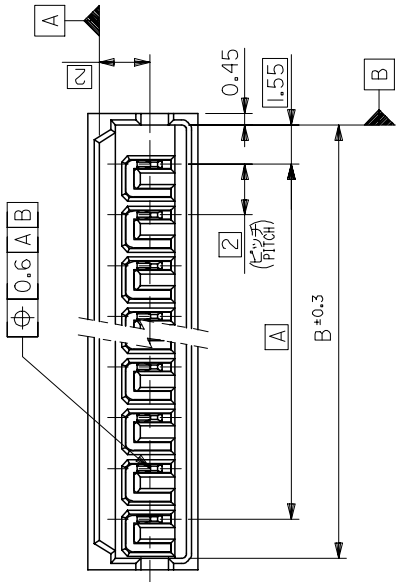
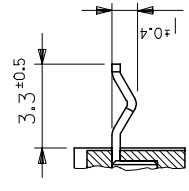
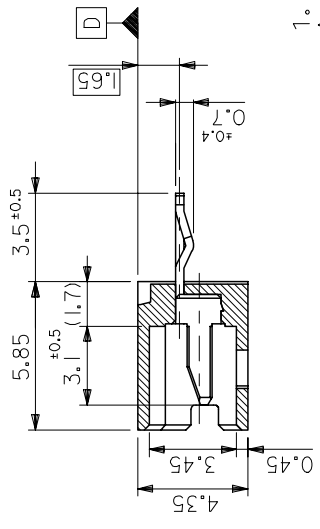
NEW RELEASED EC NO. KOR2004-0124 DRWN: K.S.KIM (040324) CH'K: J.K.OH APPR: C.W.LEE	DESCRIPTION MAJOR  = CRITICAL  =	GENERAL TOLERANCES: (UNLESS SPECIFIED)		SCALE NONE	DESIGN UNITS <input checked="" type="checkbox"/> mm <input type="checkbox"/> INCH	THIRD ANGLE PROJECTION	DIMENSIONS: <input type="checkbox"/> mm <input type="checkbox"/> INCH <input checked="" type="checkbox"/> mm ONLY	SHT REV
		4 PLACES ±0.    ±.	DRAWN BY & DATE H.S.SHIN (910220)	TITLE: TUBE PACKAGED FOR 53014 SERIES			MOLEX INCORPORATED KOREA	
		3 PLACES ±0.    ±.	CHECKED BY & DATE J.K.OH	APPROVED BY & DATE C.W.LEE				
		2 PLACES ±0.    ±.	CAD FILENAME SD-35303-001	MATERIAL NO. SEE TABLE	DRAWING NO. SD-35303-001	SHEET NO. 1 OF 1		
1 PLACE ±0.    ±.	ANGULAR: ±    °	DRAFT WHERE APPLICABLE MUST REMAIN WITHIN DIMENSIONS			THIS DRAWING CONTAINS INFORMATION THAT IS PROPRIETARY TO MOLEX INCORPORATED AND SHOULD NOT BE USED WITHOUT WRITTEN PERMISSION.	SIZE A		



RECOMMENDED P.C. BOARD  
HOLE DIMENSION(REFERENCE) t=1.6

**NOTES**

- MATES WITH : 51004-\*\*\*00
- KINK TO BE ADDED ON THE ODD NUMBER SOLDER TAILS.(FROM THE TRADE MARK SIDE.)
- \* MARK INDICATES DYED COLOR :  
"0" NATURAL, "1" BLACK, "2" RED, "3" YELLOW, "4" BLUE
- LOCKING HOLE : 1 PLACE FOR 2, 3 CKTS. AND MORE THAN 4 CKTS.



PROJECT NO.	SCALE	DESIGN UNITS	THIRD ANGLE PROJECTION	TITLE	APPLIED ITEM	ENG. NO.	ENG. NO.	NO. OF CKTS.
26	3	1.4	28	31.1	28	53014-15*	35303-155*	15
24	3	1.4	26	29.1	26	-14*	35303-145*	14
22	3	1.4	24	27.1	24	-13*	35303-135*	13
20	3	1.4	22	25.1	22	-12*	35303-125*	12
18	3	1.4	20	23.1	20	-11*	35303-115*	11
16	3	1.4	18	21.1	18	-10*	35303-105*	10
14	3	1.4	16	19.1	16	-09*	35303-095*	9
12	3	1.4	14	17.1	14	-08*	35303-085*	8
10	3	1.4	12	15.1	12	-07*	35303-075*	7
8	3	1.4	10	13.1	10	-06*	35303-065*	6
6	3	1.4	8	11.1	8	-05*	35303-055*	5
4	3	1.4	6	9.1	6	-04*	35303-045*	4
---	4	3.4	4	7.1	4	-03*	35303-035*	3
---	3	1.4	2	5.1	2	53014-02*	35303-025*	2
G	F	E	D	C	B	A	ENG. NO. $\Delta$	ENG. NO. $\Delta$

DO NOT SCALE DRAWING  
DIMENSION IN METRIC

NEW RELEASED  
ECN NO. KOR2006-0082  
DRWN: K.S.KIM (060102)  
CHK: Y.SOO/KIM  
APP: S.H.CHOI

DESCRIPTION

QUALITY SYMBOLS  
MAJOR  $\blacktriangle$   
CRITICAL  $\triangle$

GENERAL TOLERANCES:  
(UNLESS SPECIFIED)  
MITI  $\pm$   
INCH  $\pm$   
4 PLACES  $\pm 0.$   
3 PLACES  $\pm 0.$   
2 PLACES  $\pm 0.$   
1 PLACE  $\pm 0.$   
ANGULAR:  $\pm$

DRAFT WHERE APPLICABLE MUST REMAIN WITHIN DIMENSIONS

SCALE: 5:1  
DESIGN UNITS: MITI INCH  
DRAWN BY & DATE: K.S.KIM (060102)  
CHECKED BY & DATE: Y.SOO/KIM  
APPROVED BY & DATE: S.H.CHOI  
CAD FILENAME: SD-35303-010

TITLE: 2.0 LOW PROFILE WAFER ASSY

MATERIAL NO.  $\text{MOLEX}$  MOLEX INCORPORATED  
DRAWING NO. SD-35303-010  
SHEET NO. 1 OF 1

REVISE ON CAD ONLY

THIS DRAWING CONTAINS INFORMATION THAT IS PROPRIETARY TO MOLEX INCORPORATED AND SHOULD NOT BE USED WITHOUT WRITTEN PERMISSION.

SIZE B

KOREA

MX-A3