

PLEASE CHECK WWW.MOLEX.COM FOR LATEST PART INFORMATION

Part Number: **5024380000**
Status: **Active**
Overview: clikmate wiretoboard connectors
Description: 2.00mm (.079") Pitch CLIK-Mate™ Wire-to-Board Crimp Terminal, Reel

Documents:

[Drawing \(PDF\)](#) [RoHS Certificate of Compliance \(PDF\)](#)
[Product Specification PS-502443-001 \(PDF\)](#)

General

Product Family	Crimp Terminals
Series	<u>502438</u>
Crimp Quality Equipment	Yes
Overview	<u>clikmate wiretoboard connectors</u>
Product Name	CLIK-Mate™

Physical

Durability (mating cycles max)	30
Gender	Plug
Material - Metal	Copper Alloy
Material - Plating Mating	Tin
Material - Plating Termination	Tin
Packaging Type	Reel
Termination Interface: Style	Crimp or Compression
Wire Insulation Diameter	0.9-1.5mm
Wire Size AWG	22, 24, 26
Wire Size mm²	N/A

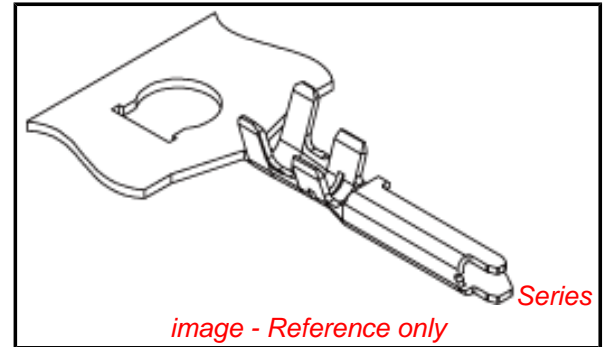
Electrical

Current - Maximum per Contact	3A
Voltage - Maximum	250V AC (RMS)/DC

Material Info

Reference - Drawing Numbers

Application Specification	AS-502439-001, AS-502439-002
Packaging Specification	SPK-502438-001
Product Specification	PS-502443-001, RPS-502443-001, RPS-502443-002, RPS-502443-004, RPS-502443-005, RPS-502443-007, RPS-502494-001
Sales Drawing	SD-502438-001



EU RoHS

**ELV and RoHS
Compliant**
**REACH SVHC
Contains SVHC: No**
**Halogen-Free
Status**

China RoHS



**Need more information on product
environmental compliance?**

Email productcompliance@molex.com
 For a multiple part number RoHS Certificate of
 Compliance, [click here](#)

Please visit the [Contact Us](#) section for any
 non-product compliance questions.

Search Parts in this Series

502438Series

Mates With

502443 PCB Receptacle, 502494 PCB
 Receptacle

Use With

502439 Crimp Housing

Application Tooling | FAQ

*Tooling specifications and manuals are
 found by selecting the products below.
 Crimp Height Specifications are then
 contained in the Application Tooling
 Specification document.*

Global

Description	Product #
Extraction Tool	<u>0011030043</u>
Fine Adjust™	<u>0639007700</u>
Applicator for 2.00mm (.079") Pitch Crimp Terminal, 22-26 AWG	

T2 Terminator	<u>0639107700</u>
Tooling Die for 2.00mm (.079") Crimp Terminal, 22-26 AWG	
Hand Crimp Tool for 2.00mm (.079") Pitch CLIK-Mate™ Wire-to-Board Crimp Terminals, 22-26 AWG	<u>0638192800</u>

This document was generated on 06/01/2010

PLEASE CHECK WWW.MOLEX.COM FOR LATEST PART INFORMATION

10 9 8 7 6 5 4 3 2 1

F

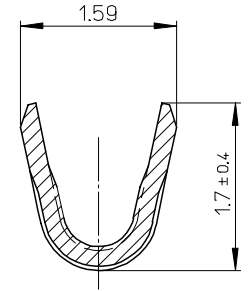
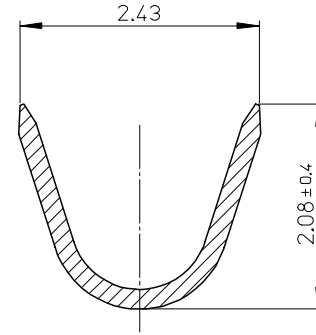
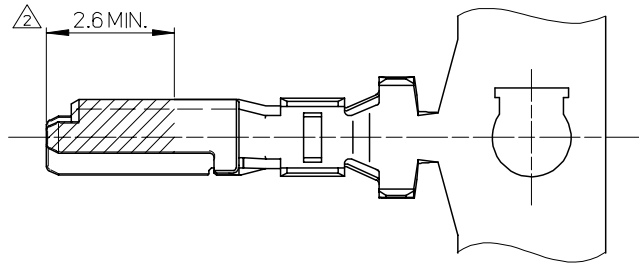
E

D

C

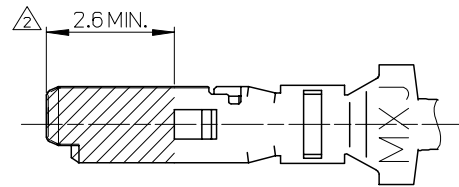
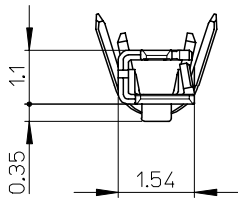
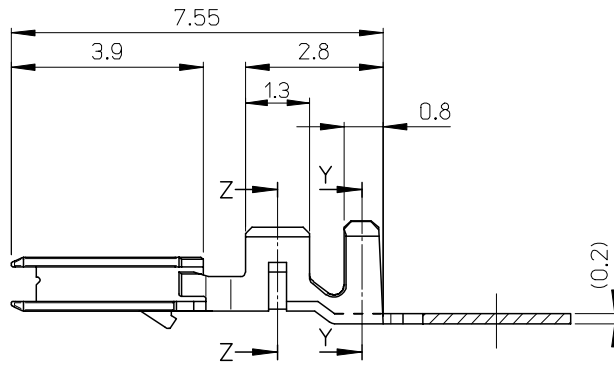
B

A



SECTION Y-Y
(SCALE 20-1)

SECTION Z-Z
(SCALE 20-1)



NOTES

- 適合ハウジング : 502439-**00
APPLICABLE HOUSING : 502439-**00
- 図示の斜線部の範囲は、接点部のため、傷、打痕、汚れなどを付けないようにして下さい。
PLEASE DON'T DAMAGE, DON'T DENT, AND DON'T MAKE IT DIRTY, BECAUSE THE RANGE IN THE SHADED PORTION SHOWN IN FIGURE IS THE CONTACT AREA.

φ0.9-1.5mm	AWG#22-26	502438-0100	バラ状 LOSE
		502438-0000	連鎖状 CHAIN
絶縁被覆外径範囲 INS. RANGE	適用電線範囲 WIRE RANGE	製品番号 MATERIAL NO.	端子形状 FORM

部品 PART	材質 MATERIAL
ターミナル TERMINAL	銅合金 COPPER ALLOY
	錫めっき : 0.4 micro-meter MIN. リフロー処理 (前めっき) TIN REFLOW TREATMENT (PRE-PLATED)
	ニッケルめっき(下地) : 0.1 micro-meter MIN. リフロー処理 (前めっき) NICKEL (UNDER PLATING) REFLOW TREATMENT (PRE-PLATED)

REVISED EC NO: J2008-0461 DRWNG SETO CHKD: KASAKAWA APPR: YOITO 2007/08/29	GENERAL TOLERANCES (UNLESS SPECIFIED)		DIMENSION STYLE MM ONLY		SCALE 10:1	DESIGN UNITS METRIC	THIRD ANGLE PROJECTION	
	10 UNDER	± 0.2	DRAWN BY NITO	DATE 2006/12/12	TITLE 2.0 W/B CONN. SINGLE PLUG TERMINAL -LEAD FREE-			
	10 OVER 30 UNDER	± 0.25	CHECKED BY KASAKAWA	DATE 2006/12/12	MOLEX INCORPORATED			
	30 OVER	± 0.3	APPROVED BY YOITO	DATE 2006/12/12	DOCUMENT NO. SD-502438-001			
	ANGULAR	± 3 °	MATERIAL NO. SEE TABLE		SHEET NO. 1 OF 1			
DRAFT WHERE APPLICABLE MUST REMAIN WITHIN DIMENSIONS		THIS DRAWING CONTAINS INFORMATION THAT IS PROPRIETARY TO MOLEX INCORPORATED AND SHOULD NOT BE USED WITHOUT WRITTEN PERMISSION						

9

8

7

6

5

4

3

2