

PLEASE CHECK WWW.MOLEX.COM FOR LATEST PART INFORMATION

Part Number: [1300980043](#)
Status: **Active**
Overview: [brad wire mesh grips](#)
Description: MAX-LOC® Strain Relief Cord-Sealing Grip, 1/2" NPT, Straight Female with O-Ring, Cable Diameter 3.18-4.75mm (.125-.187")

Documents:

[Drawing \(PDF\)](#) [RoHS Certificate of Compliance \(PDF\)](#)

Agency Certification

CSA LR32159
 UL E76954

General

Product Family Cable Grips
 Series [130098](#)
 Eye Type N/A
 Insulated No
 NEMA Rating NEMA 6
 O-Ring Yes
 Overview [brad wire mesh grips](#)
 Product Name MAX-LOC®
 Type Strain Relief Grips
 Use With [1300990143](#) 1/2" NPT MAX-LOC® Lock Nut,
[1301800314](#) 1/2" MAX-LOC O-Ring
 Woodhead Yes

Physical

Approximate Break Strength N/A
 Bale Length N/A
 Body Style Straight
 Cable Diameter 3.18-4.75mm (.125-.187")
 Color - Grommet Yellow
 Gender Female
 Material - Body Nylon
 Material - Grip N/A
 Mesh Length N/A
 Number of Holes 2
 Strain Relief Force 35 lbs
 Thread Size 1/2" NPT

Material Info

Old Part Number 5520W

Reference - Drawing Numbers

Sales Drawing SD-130098-004

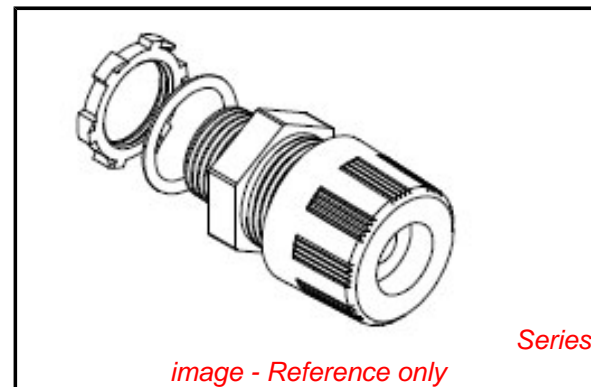


image - Reference only

EU RoHS

**ELV and RoHS
 Compliant
 REACH SVHC
 Not Reviewed
 Halogen-Free
 Status
 Not Reviewed**

China RoHS

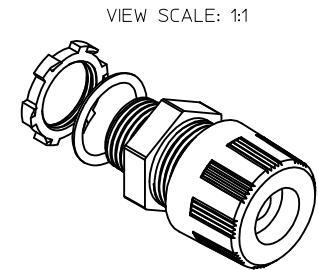
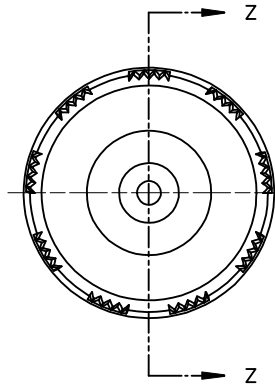
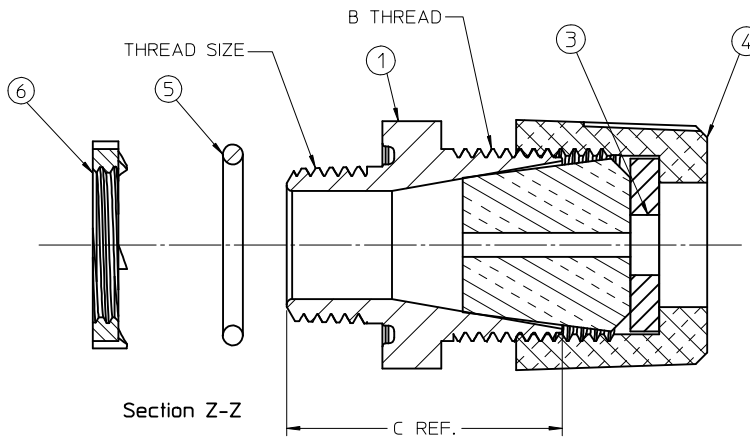
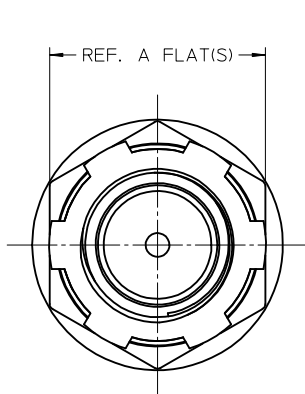


**Need more information on product
 environmental compliance?**

Email productcompliance@molex.com
 For a multiple part number RoHS Certificate of
 Compliance, [click here](#)

Please visit the [Contact Us](#) section for any
 non-product compliance questions.

Search Parts in this Series
[130098Series](#)



MATERIAL NO.	OLD PART NO.	THREAD SIZE	CABLE DIA. RANGE	A	B	C	ITEM 1 COLOR	ITEM 2 MATERIAL	ITEM 2 COLOR	ITEM 3 MATERIAL	ITEM 4 MATERIAL	ITEM 4 COLOR
1300980038	5518W	1/2" NPT	.062-.125 / 1.57-3.18	1.13 / 28.7	1"-14	1.44 / 36.6	GRAY	NITRILE	BLACK	HDPE	NYLON	GRAY
1300980043	5520W		.125-.187 / 3.18-4.75						YELLOW			
1300980049	5522W		.187-.250 / 4.75-6.35						ORANGE			
1300980056	5524W		.250-.312 / 6.35-7.92						BLACK			
1300980064	5526W		.312-.375 / 7.92-9.53						GRAY			
1300980071	5528W		.375-.437 / 9.53-11.10						GREEN			
1300980078	5530W		.437-.500 / 11.10-12.70						ORANGE			
1300980086	5532W		.500-.562 / 12.70-14.27						BLACK			
1300980215	5620W	3/4" NPT	.187-.250 / 4.75-6.35	1.38 / 35.1	1 1/4-14	1.69 / 42.9	GRAY	NITRILE	ORANGE	HDPE	NYLON	GRAY
1300980221	5622W		.250-.375 / 6.35-9.53						GRAY			
1300980227	5624W		.375-.437 / 9.53-11.10						GREEN			
1300980099	5536W		.437-.562 / 11.10-14.27						BLACK			
1300980107	5538W		.500-.625 / 12.70-15.87						GRAY			
1300980114	5540W		.562-.687 / 14.27-17.45						GREEN			
1300980121	5542W		.625-.750 / 15.87-19.05						ORANGE			

NOTES:
 1. MATERIAL: SEE TABLE
 2. FINISHES: SEE TABLE
 3. NEMA RATING: NEMA 6P
 4. RoHS COMPLIANT: YES

6	1	LOCKNUT	STEEL	ZINC PLATED
5	1	O-RING FOR 3/4" BODY	BUNA-N	BLACK
		O-RING FOR 1/2" BODY	NEOPRENE	BLACK
4	1	COMPRESSION NUT	SEE CHART	SEE CHART
3	1	COMPRESSION RING	SEE CHART	NATURAL (WHITE)
2	1	GROMMET	SEE CHART	SEE CHART
1	1	STRAIGHT MALE BODY	NYLON	SEE CHART
ITEM	QTY.	DESCRIPTION	MATERIAL	FINISH

RELEASED
 EC NO: MNAZ009-0534
 DRWINSTONE 2009/03/11
 CHKDB WOODMAN
 APPR: J MURPHY 2009/04/17

QUALITY SYMBOLS
 ▽=0
 ▽=0

GENERAL TOLERANCES (UNLESS SPECIFIED)

	mm	INCH
4 PLACES	± .005	± .0005
3 PLACES	± .005	± .0005
2 PLACES	± .010	± .0010
1 PLACE	± .030	± .0030

 ANGULAR ±1/2°

DRAFT WHERE APPLICABLE
 MUST REMAIN
 WITHIN DIMENSIONS

DIMENSION STYLE
 IN/MM

DRAWN BY DATE
 R. STONE 2009/03/05

CHECKED BY DATE
 B. WOODMAN 2009/03/07

APPROVED BY DATE
 J. MURPHY 2009/03/09

MATERIAL NO.
 SEE CHART

SCALE 2:1
 DESIGN UNITS INCH
 THIRD ANGLE PROJECTION

TITLE
 MAX-LOC STRAIN RELIEF
 CORD GRIP, STRAIGHT MALE
 WITH O-RING

MOLEX MOLEX INCORPORATED

DOCUMENT NO. SD-130098-004
 SHEET NO. 1 OF 1

THIS DRAWING CONTAINS INFORMATION THAT IS PROPRIETARY TO MOLEX INCORPORATED AND SHOULD NOT BE USED WITHOUT WRITTEN PERMISSION