

**PLEASE CHECK WWW.MOLEX.COM FOR LATEST PART INFORMATION**

**Part Number:** **0545524016**  
**Status:** **Active**  
**Description:** 0.40mm (.016") Pitch Board-to-Board SlimStack™ Receptacle, SMT, Dual Row, without Plastic Pegs, Right Angle, 40 Circuits

**Documents:**

[3D Model](#) [Product Specification PS-54552-024 \(PDF\)](#)  
[Drawing \(PDF\)](#) [RoHS Certificate of Compliance \(PDF\)](#)

**General**

Product Family PCB Receptacles  
 Series [54552](#)  
 Application Board-to-Board  
 Product Name SlimStack™

**Physical**

Circuits (Loaded) 40  
 Color - Resin Brown  
 Durability (mating cycles max) 30  
 Glow-Wire Compliant No  
 Mated Height (in) 0.167 In, 0.171 In  
 Mated Height (mm) 4.25 mm, 4.35 mm  
 Material - Metal Phosphor Bronze  
 Material - Plating Mating Gold  
 Material - Plating Termination Tin  
 Number of Rows 2  
 Orientation Right Angle  
 PCB Locator No  
 PCB Retention None  
 Packaging Type Embossed Tape on Reel  
 Pitch - Mating Interface (in) 0.016 In  
 Pitch - Mating Interface (mm) 0.40 mm  
 Polarized to PCB No  
 Temperature Range - Operating -40°C to +85°C  
 Termination Interface: Style Surface Mount

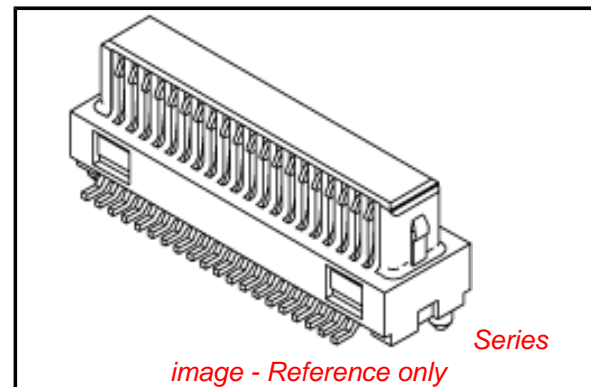
**Electrical**

Current - Maximum per Contact 0.3A  
 Voltage - Maximum 30V AC (RMS)/DC

**Material Info**

**Reference - Drawing Numbers**

Product Specification PS-54552-024  
 Sales Drawing SD-54552-025, SD-54552-026



**EU RoHS**

**ELV and RoHS  
 Compliant**  
**REACH SVHC**  
 Not Reviewed  
**Halogen-Free  
 Status**

**China RoHS**



**Need more information on product  
 environmental compliance?**

Email [productcompliance@molex.com](mailto:productcompliance@molex.com)  
 For a multiple part number RoHS Certificate of Compliance, [click here](#)

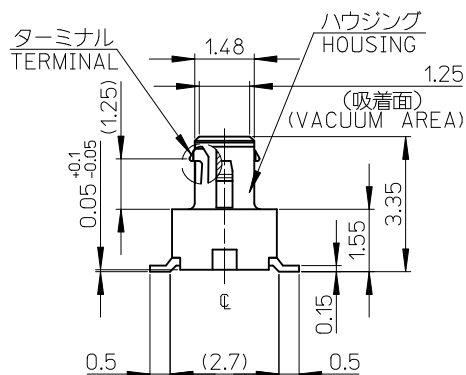
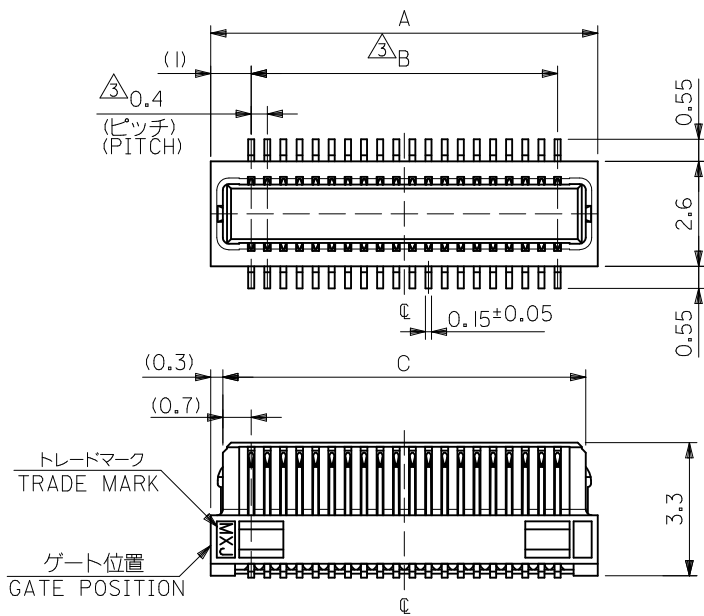
Please visit the [Contact Us](#) section for any non-product compliance questions.

**Search Parts in this Series**

[54552Series](#)

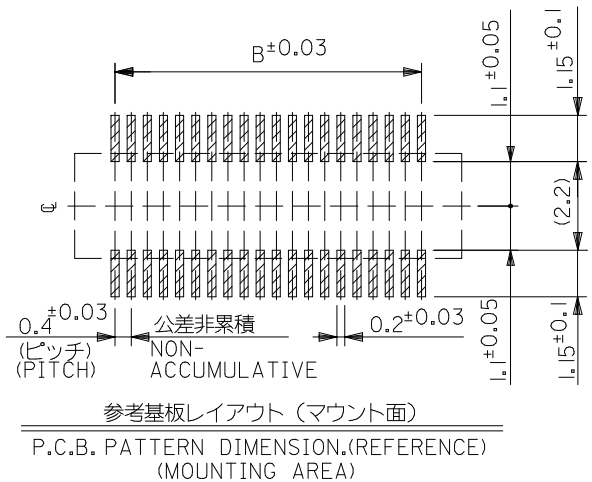
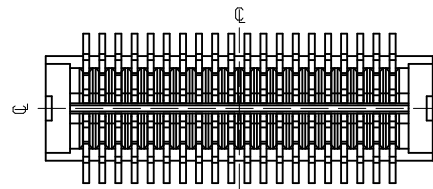
**Mates With**

[55394 PCB Header](#) . [503376 PCB Header](#)



注記 NOTES

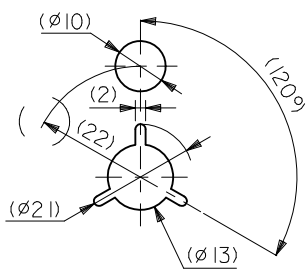
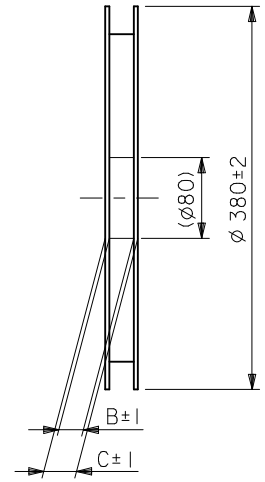
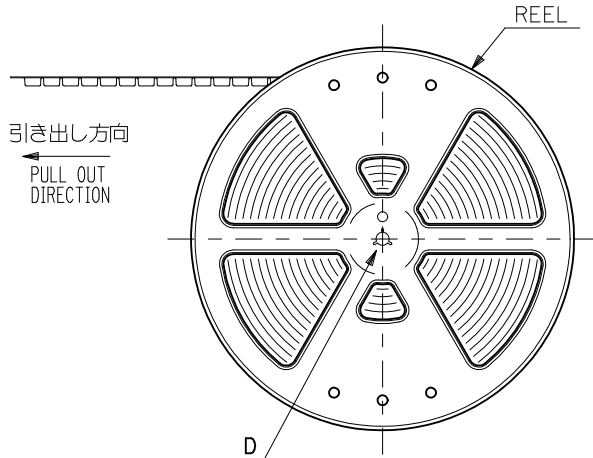
1. 使用材料 MATERIAL  
 ハウジング:液晶ポリマー ガラス充填 UL94V-0 茶色  
 HOUSING:LIQUID CRYSTAL POLYMER, GLASS FILLED, UL94V-0, COLOR BROWN  
 ターミナル:リン青銅 (t=0.15)  
 TERMINAL:PHOSPHOR BRONZE(t=0.15)
2. メッキ仕様 PLATING  
 金メッキ (コンタクト部)  
 GOLD PLATING (CONTACT AREA)  
 錫メッキ(テール部)  
 TIN PLATING (TAIL AREA)  
 下地メッキ:ニッケルメッキ  
 UNDER PLATING : NICKEL
- △ テール部に適用。  
 APPLY TO THE TAIL AREA.
4. 嵌合相手:55394 / 503376 シリーズ  
 MATE WITH : 55394 / 503376 SERIES.
5. テール平坦度は、0.08以下  
 TAIL COPLANARITY TO BE 0.08MAXIMUM
6. ELV及びRoHS適合品  
 ELV AND RoHS COMPLIANT



19.0	17.6	19.6	54552-9016	90
17.0	15.6	17.6	54552-8016	80
9.0	7.6	9.6	54552-4016	40
7.0	5.6	7.6	54552-3016	30
5.0	3.6	5.6	54552-2016	20
C	B	A	EMBOSSED TAPE	CKT.
ORDER No. オーダー番号				

CONNECTOR SERIES No. : 54552-\*\*\*15

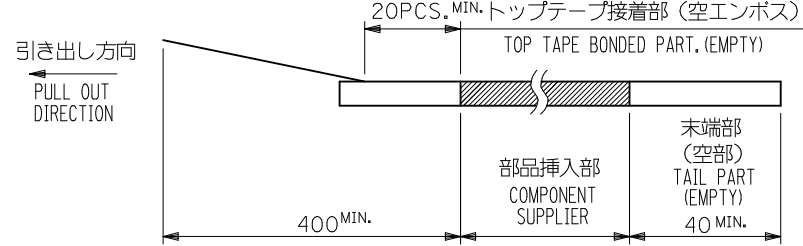
RELEASED EC NO: J2010-1972 DRW:KTOYODA 2010/03/31 CHKD:SMARUYAMA 2010/03/31 APPR:SMARUYAMA 2010/03/31	GENERAL TOLERANCES (UNLESS SPECIFIED)		DIMENSION STYLE MM ONLY		SCALE 8:1	DESIGN UNITS METRIC	THIRD ANGLE PROJECTION
	10 UNDER	±0.2	DRAWN BY KTOYODA	DATE 2010/03/29	TITLE 0.4 B/B CONN R/A REC HSG ASSY WITHOUT BOSS		
	10 OVER 30 UNDER	±0.25	CHECKED BY SMARUYAMA	DATE 2010/03/29	APPROVED BY MSASAO		
	30 OVER	±0.3	DATE 2010/03/29	MOLEX INCORPORATED			
ANGULAR ±3 °		MATERIAL NO. SEE TABLE		DOCUMENT NO. SD-54552-025		SHEET NO. 1 OF 1	
DRAFT WHERE APPLICABLE MUST REMAIN WITHIN DIMENSIONS		THIS DRAWING CONTAINS INFORMATION THAT IS PROPRIETARY TO MOLEX INCORPORATED AND SHOULD NOT BE USED WITHOUT WRITTEN PERMISSION					



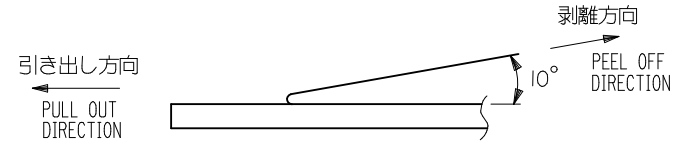
DETAIL D

NOTES

- 製品詳細寸法については SD-54552-025 を参照下さい。  
RE DETAILED DIMENSION, SEE SD-54552-025.
- 梱包数量：1500個/リール  
NUMBER OF CONNECTORS：1500PCS/REEL
- リードテープ長さ LEAD TAPE LENGTH



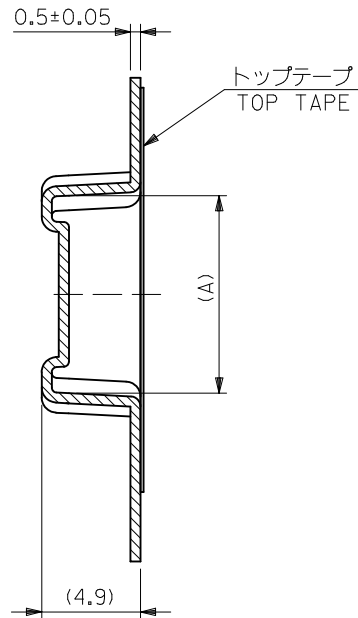
- トップテープの剥離強度：0.1～1.3N (10～130gf) (剥離方向は下図参照)  
尚、本規格値は出荷時に適用。(但し、輸送時に剥離が発生しないこと。)  
PEELING OFF FORCE OF TOP TAPE：0.1～1.3N (10～130gf)  
(PEELING DIRECTION AS SHOWN IN FOLLOWING FIG.)  
THIS REQUIREMENT SHOULD BE APPLIED AT SHIPMENT.  
PEEL OFF SHOULD NOT BE ALLOWED, DURING TRANSPORTATION.



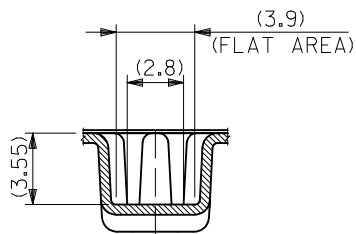
- 材料 (MATERIAL)  
キャリアテープ (CARRIER TAPE)：ポリプロピレン (POLYPROPYLENE)  
トップテープ (TOP TAPE)：PET, PE, PEF  
リール (REEL)：ポリスチレン (P S) <リサイクル材を含む>  
POLYSTYRENE (PS) <RECYCLE MATERIAL CONTAINED>
- ELV 及び RoHS 適合品  
ELV AND RoHS COMPLIANT

54552-9016	90
54552-8016	80
54552-4016	40
54552-3016	30
54552-2016	20
EMBOSSED TAPE	CKT.
ORDER No. オーダー番号	

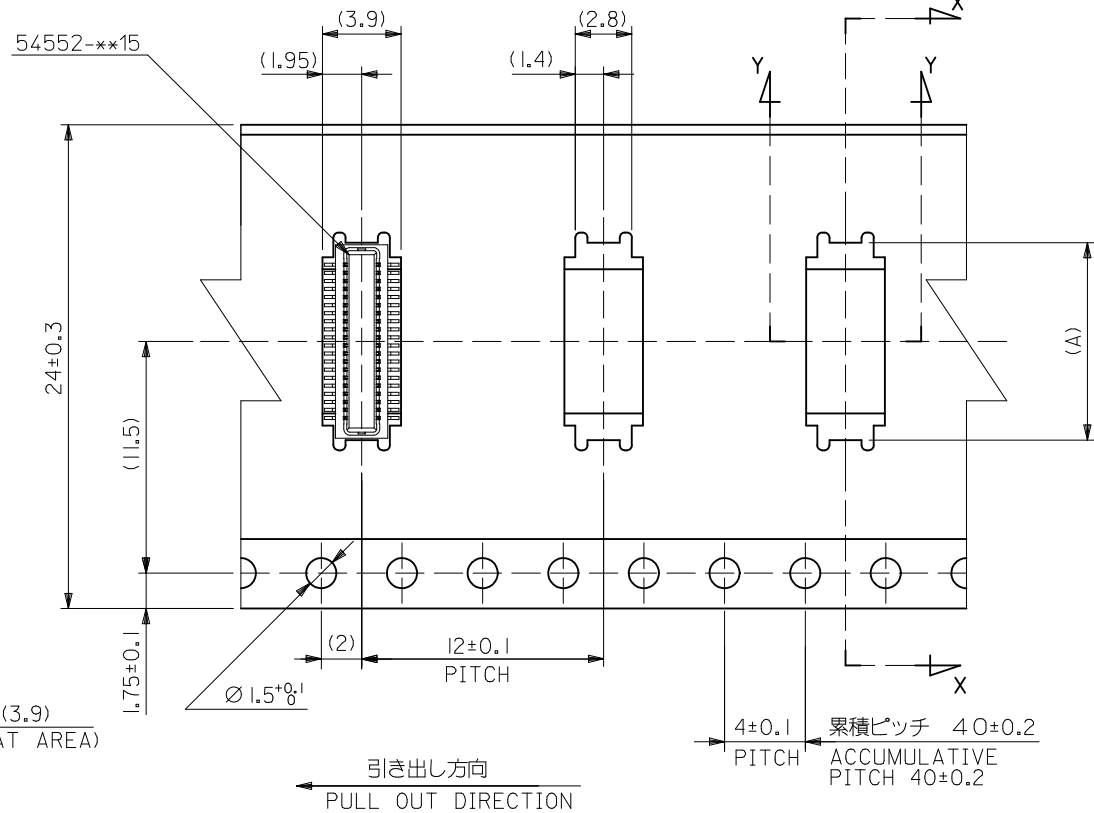
RELEASED EC NO.: J2010-1972 DRW: KTOYODA 2010/03/31 CHKD: SMARUYAMA 2010/03/31 APPR: SMARUYAMA 2010/03/31	GENERAL TOLERANCES (UNLESS SPECIFIED)		DIMENSION STYLE MM ONLY		SCALE ---	DESIGN UNITS METRIC	THIRD ANGLE PROJECTION
	10 UNDER	±0.2	DRAWN BY KTOYODA	DATE 2010/03/29	TITLE EMBSTP PKG FOR 0.4 B/B CONN RA REC HSG ASSY		
	10 OVER 30 UNDER	±0.25	CHECKED BY SMARUYAMA	DATE 2010/03/29	MOLEX INCORPORATED		
	30 OVER	±0.3	APPROVED BY MSASAO	DATE 2010/03/29	MATERIAL NO. SEE TABLE	DOCUMENT NO. SD-54552-026	SHEET NO. 1 OF 3
A	ANGULAR ±3 °	THIS DRAWING CONTAINS INFORMATION THAT IS PROPRIETARY TO MOLEX INCORPORATED AND SHOULD NOT BE USED WITHOUT WRITTEN PERMISSION					
	DRAFT WHERE APPLICABLE MUST REMAIN WITHIN DIMENSIONS						



SECT X-X



SECT Y-Y



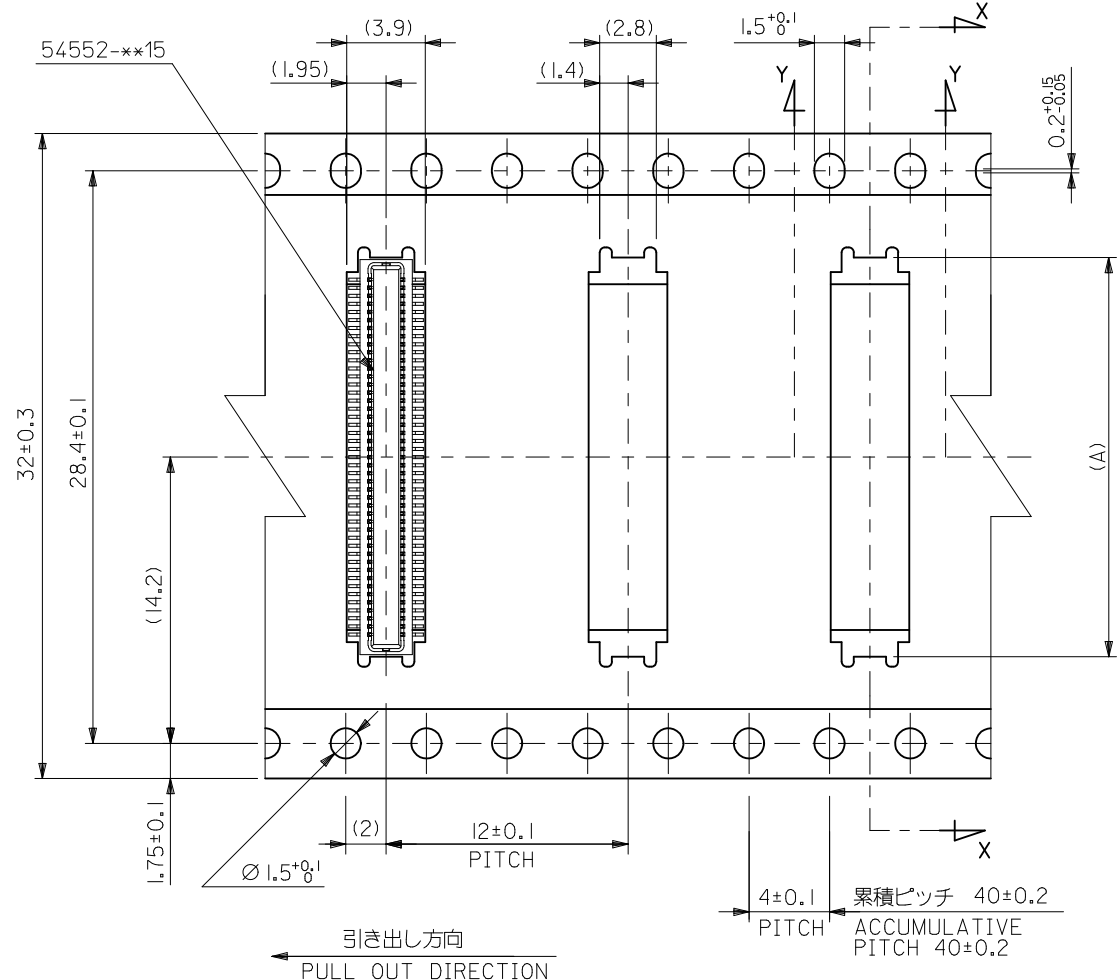
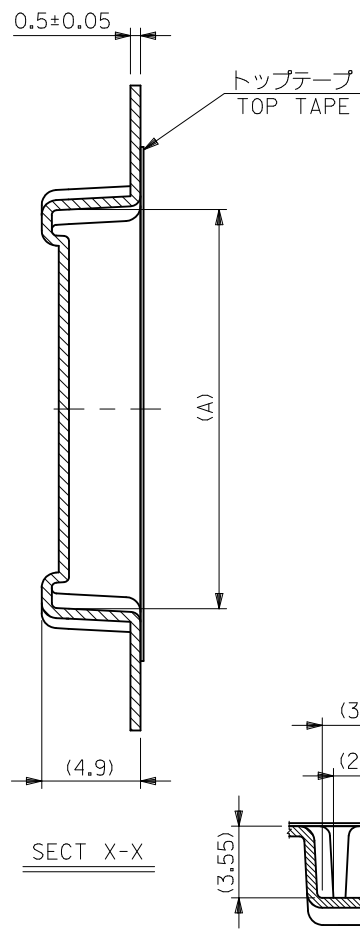
24mm幅キャリアテープ  
24mm WIDTH CARRIER TAPE

24	29.4	25.4	9.8	54552-4016	40
			7.8	54552-3016	30
			5.8	54552-2016	20
キャリアテープ幅 CARRIER TAPE WIDTH	C	B	(A)	EMBOSSED TAPE	極数 CIRCUITS
				ORDER No. オーダー番号	

SEE SHEET 1 OF 3 EC NO: J2010-1972 DRWK:KTOYODA 2010/03/31 CHKD:SMARUYAMA 2010/03/31 APPR:SMARUYAMA 2010/03/31	GENERAL TOLERANCES (UNLESS SPECIFIED)	
	10 UNDER	±0.2
	10 OVER 30 UNDER	±0.25
	30 OVER	±0.3
	ANGULAR	±3 °
	DRAFT WHERE APPLICABLE MUST REMAIN WITHIN DIMENSIONS	

DIMENSION STYLE MM ONLY	
DRAWN BY KTOYODA	DATE 2010/03/29
CHECKED BY SMARUYAMA	DATE 2010/03/29
APPROVED BY MSASAO	DATE 2010/03/29
MATERIAL NO. SEE TABLE	
SIZE A3	THIS DRAWING CONTAINS INFORMATION THAT IS PROPRIETARY TO MOLEX INCORPORATED AND SHOULD NOT BE USED WITHOUT WRITTEN PERMISSION

SCALE ---	DESIGN UNITS METRIC	THIRD ANGLE PROJECTION
TITLE EMBSTP PKG FOR 0.4 B/B CONN RA REC HSG ASSY		
MOLEX INCORPORATED		
MATERIAL NO. SD-54552-026	DOCUMENT NO.	SHEET NO. 2 OF 3



引き出し方向  
PULL OUT DIRECTION  
32mm幅キャリアテープ  
32mm WIDTH CARRIER TAPE

4±0.1 PITCH  
累積ピッチ 40±0.2  
ACCUMULATIVE PITCH 40±0.2

32	37.4	33.4	19.8	54552-9016	90
			17.8	54552-8016	80
キャリアテープ幅 CARRIER TAPE WIDTH	C	B	(A)	EMBOSSED TAPE ORDER No. オーダー番号	極数 CIRCUITS

SEE SHEET 1 OF 3 EC NO: J2010-1972 DRWK:KTOYODA 2010/03/31 CHKD:SMARUYAMA 2010/03/31 APPR:SMARUYAMA 2010/03/31	GENERAL TOLERANCES (UNLESS SPECIFIED)	
	10 UNDER	±0.2
	10 OVER 30 UNDER	±0.25
	30 OVER	±0.3
	ANGULAR	±3 °
	DRAFT WHERE APPLICABLE MUST REMAIN WITHIN DIMENSIONS	

DIMENSION STYLE MM ONLY		SCALE ---	DESIGN UNITS METRIC	THIRD ANGLE PROJECTION	
DRAWN BY KTOYODA	DATE 2010/03/29	TITLE EMBSTP PKG FOR 0.4 B/B CONN RA REC HSG ASSY			
CHECKED BY SMARUYAMA	DATE 2010/03/29	MOLEX INCORPORATED			
APPROVED BY MSASAO	DATE 2010/03/29				
MATERIAL NO.	SEE TABLE	DOCUMENT NO.	SD-54552-026	SHEET NO. 3 OF 3	
THIS DRAWING CONTAINS INFORMATION THAT IS PROPRIETARY TO MOLEX INCORPORATED AND SHOULD NOT BE USED WITHOUT WRITTEN PERMISSION					