

PLEASE CHECK WWW.MOLEX.COM FOR LATEST PART INFORMATION

Part Number: [0545501371](#)
Status: **Active**
Overview: [ffc fpc smt](#)
Description: 0.50mm (.020") Pitch FFC/FPC Connector, 1.20mm (.047") Height, Right Angle, SMT, ZIF, Top Contact Style, 13 Circuits, Gold (Au) Contact Plating

Documents:

[3D Model](#) [Product Specification PS-54550-012 \(PDF\)](#)
[Drawing \(PDF\)](#) [RoHS Certificate of Compliance \(PDF\)](#)

General

Product Family FFC/FPC Connectors
 Series [54550](#)
 Overview [ffc fpc smt](#)
 Product Name N/A

Physical

Circuits (Loaded) 13
 Contact Position Top
 Durability (mating cycles max) 20
 Entry Angle 90° Angle
 Mated Height (in) 0.047 In
 Mated Height (mm) 1.20 mm
 Material - Metal Phosphor Bronze
 Material - Plating Mating Gold
 Material - Plating Termination Tin
 Number of Rows 1
 Orientation Right Angle
 PCB Locator No
 PCB Retention Yes
 Packaging Type Embossed Tape on Reel
 Pitch - Mating Interface (in) 0.020 In
 Pitch - Mating Interface (mm) 0.50 mm
 Polarized to PCB Yes
 Stackable No
 Temperature Range - Operating -20°C to +85°C
 Termination Interface: Style Surface Mount
 Wire/Cable Type FFC/FPC

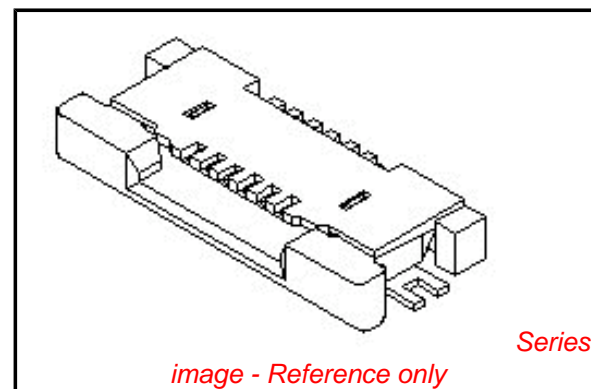
Electrical

Current - Maximum per Contact 0.5A
 Voltage - Maximum 50V

Material Info

Reference - Drawing Numbers

Packaging Specification SPK-54550-056
 Product Specification PS-54550-012, RPS-54550-089
 Sales Drawing SD-54550-042, SD-54550-043



EU RoHS

**ELV and RoHS
 Compliant**
REACH SVHC
 Not Reviewed
**Halogen-Free
 Status**
 Not Reviewed

China RoHS



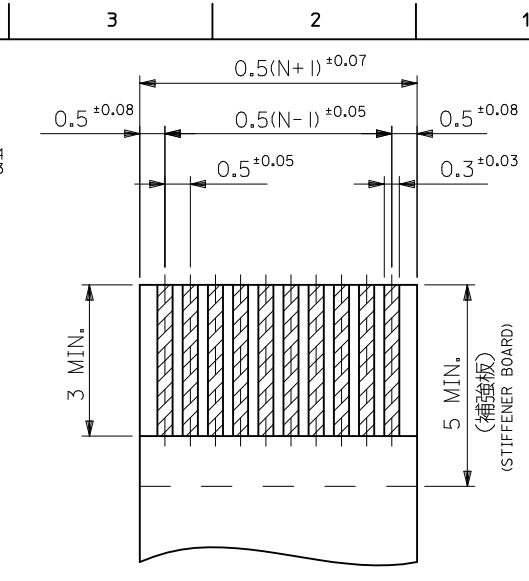
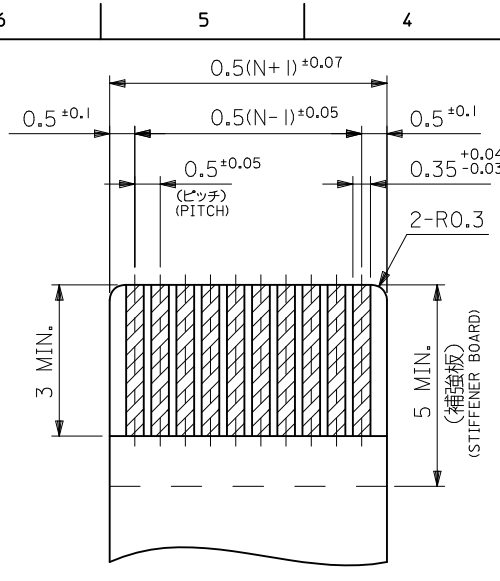
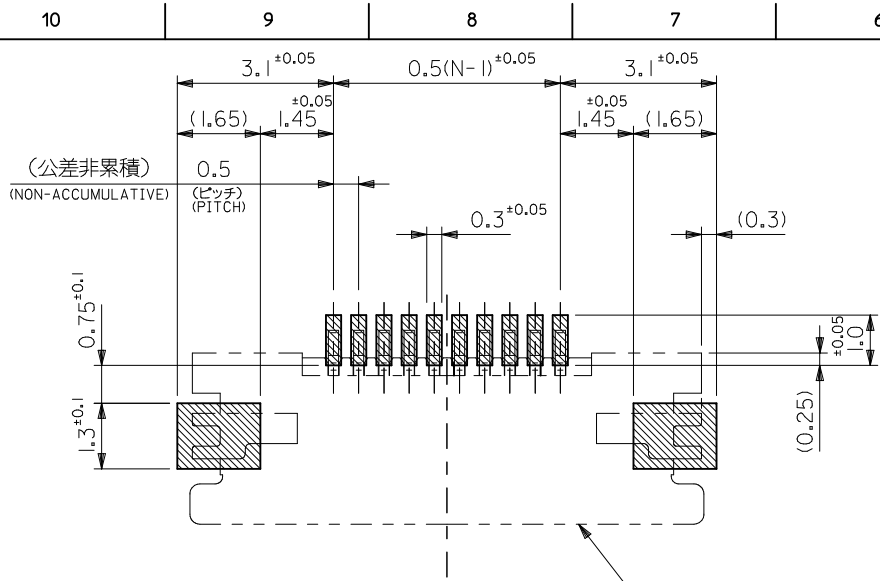
**Need more information on product
 environmental compliance?**

Email productcompliance@molex.com
 For a multiple part number RoHS Certificate of
 Compliance, [click here](#)

Please visit the [Contact Us](#) section for any
 non-product compliance questions.

Search Parts in this Series

54550Series



参考基板レイアウト
RECOMMENDED P.C.BOARD
PATTERN DIMENSION (REF.)

コネクタ位置
CONNECTOR POSITION

適合FPC推奨寸法
APPLICABLE FPC
RECOMMENDED DIMENSION

(仕上がり厚さ:表参照)
(THICKNESS:SEE CHART)

適合FFC推奨寸法
APPLICABLE FFC
RECOMMENDED DIMENSION

(仕上がり厚さ:表参照)
(THICKNESS:SEE CHART)

注記 NOTES

1. 使用材料 MATERIAL

ハウジング : LCP, UL94V-0
HOUSING

アクチュエータ : PPS, UL94V-0
ACTUATOR

ターミナル : リン青銅
TERMINAL PHOSPHOR BRONZE

メッキ : 接点部:金メッキ
PLATING CONTACT PORTION : GOLD PLATING

: 半田付部:錫メッキ
SOLDERING PORTION : TIN PLATING

: 下地:ニッケルメッキ
UNDER PLATING : NICKEL PLATING

金具 : リン青銅, ニッケル下地 錫メッキ
FITTING NAIL PHOSPHOR BRONZE, TIN OVER NICKEL PLATING

2. エンボステープ梱包時は、アクチュエータがロックした状態とする。
IN THE PACKAGE, ACTUATOR OF PART NO.54550-**29 SHOULD BE LOCKED.

△ソルダーテール半田付け面のズレ量、及び金具半田付け面のズレ量は、基準面 Z に対し上方向 OMAX.、下方向 0.15MAX.とし

相互のバラッキ量は0.1MAX.とする。
MISALIGNMENT OF SOLDER TAILS AND FITTING NAILS FROM UPPER DIRECTION: 0 MAX., LOWER DIRECTION: 0.15 MAX.

OFFSET BETWEEN UPPER AND LOWER 0.1 MAX.

△偶数極に適用。
APPLY FOR EVEN CIRCUIT.

△パターンはくり止め用金具
FITTING NAIL FOR PREVENTION OF PEELING OF P.C.B. PATTERN.

△ゲート部は、左右どちらか一方にあるものとする。
A GATE PART -- RIGHT AND LEFT -- IT SHALL BE IN EITHER.

7. 本製品は 54550-**27 の鉛フリー品である。
THIS PRODUCT IS LEAD FREE OF 54550-**27.

8. N: 極数 N: CIRCUIT.

9. ELV 及び RoHS 適合品 / ELV AND RoHS COMPLIANT.

FPC/FFC について:

打ち抜き方向は導体側から補強板側を推奨します。
導体部については軟銅箔35μmまたは50μmを推奨します。

ABOUT FPC/FFC
RECOMMENDED PUNCHER DIRECTION : FROM CONDUCTOR SIDE TO STIFFENER FILM SIDE.
RECOMMENDED CONDUCTOR SPEC :
THICKNESS OF SOFT COPPER FOIL : 35 MICROMETER OR 50 MICROMETER.

FPC について:

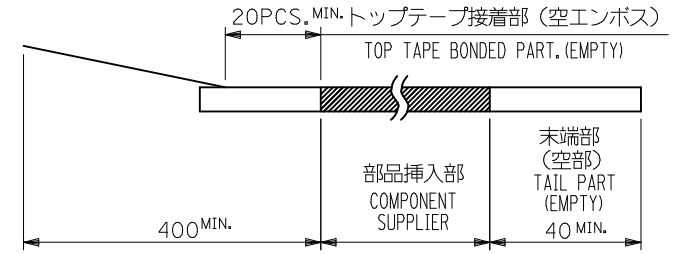
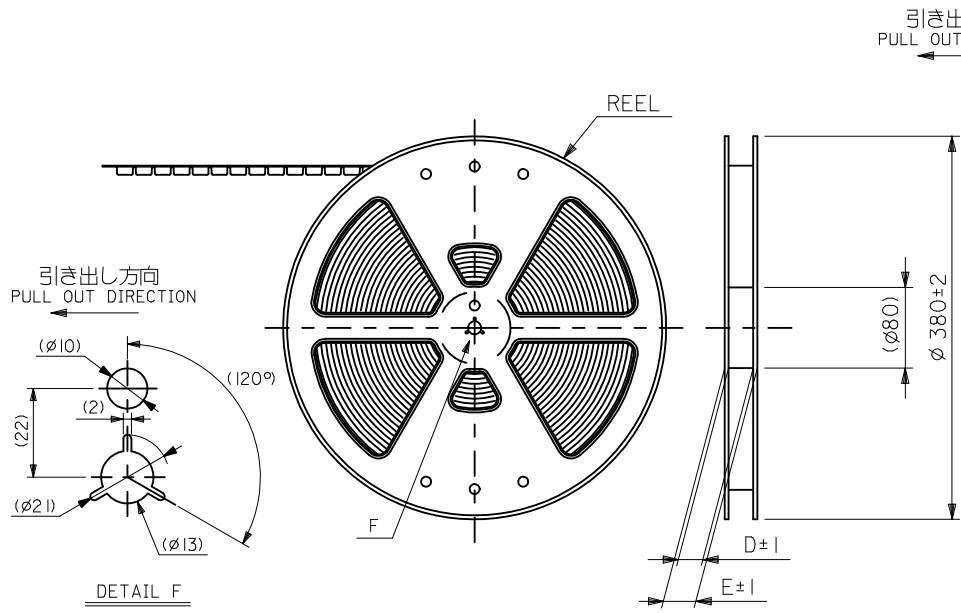
補強フィルム材質はポリイミドを推奨します。ベースフィルムは25μmを推奨します。
接着剤は熱硬化接着剤を推奨します。
尚、接着剤の接点部への付着は導通不良の原因になりますので、染み出しが無い様、お願い致します。

ABOUT FPC
RECOMMENDED MATERIAL/THICKNESS.
STIFFENER FILM : POLYIMIDE
BASE FILM THICKNESS : 25μm
BONDING AGENT : THERMOSETTING BONDING AGENT
PLEASE PUT APPROPRIATE AMOUNT OF ADHESIVE ON THE CONTACT AREA BECAUSE THE EXTRA ADHESIVE MAY CAUSE THE DEFECT IN ELECTRICAL CONTINUITY.

REVISED EC NO: J2010-1202 DRWN: TONO 2009/12/11 CHKD: HSHIMUYAMA 2009/12/11 APPR: KMORIKAWA 2009/12/14	GENERAL TOLERANCES (UNLESS SPECIFIED)		DIMENSION STYLE MM ONLY	SCALE ---	DESIGN UNITS METRIC	THIRD ANGLE PROJECTION
	10 UNDER	±0.2	DRAWN BY M. NINOMIYA	DATE 2004/02/12	TITLE 0.5 FPC CONN. HSG ASSY FOR SMT RA U/CONTACT	
	10 OVER 30 UNDER	±0.25	CHECKED BY K. TOJO	DATE 2004/02/12	MOLEX INCORPORATED	
	30 OVER	±0.3	APPROVED BY M. SASAO	DATE 2004/02/12	DOCUMENT NO. SD-54550-042	SHEET NO. 2 OF 2
M	ANGULAR ±3 °	DRAFT WHERE APPLICABLE MUST REMAIN WITHIN DIMENSIONS		THIS DRAWING CONTAINS INFORMATION THAT IS PROPRIETARY TO MOLEX INCORPORATED AND SHOULD NOT BE USED WITHOUT WRITTEN PERMISSION		

NOTES

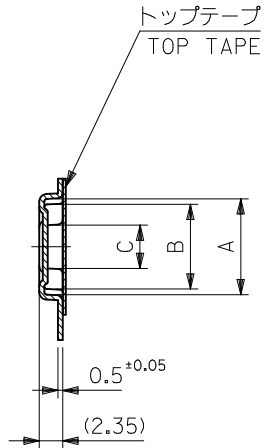
- 製品詳細寸法については図面 SD-54550-042 を参照下さい。
RE DETAILED DIMENSION, SEE SD-54550-042.
- 梱包数量：3000個/リール
NUMBER OF CONNECTORS : 3000PCS/REEL
- リードテープ長さ LEAD TAPE LENGTH



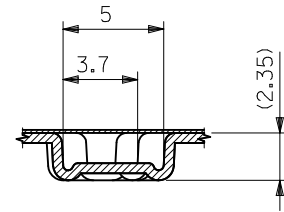
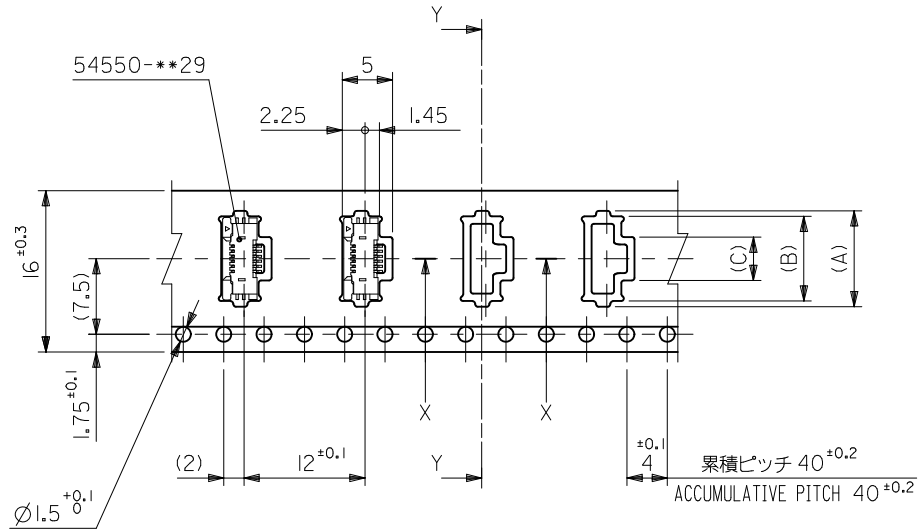
- 材料 (MATERIAL)
キャリアテープ (CARRIER TAPE) : ポリプロピレン (POLYPROPYLENE)
トップテープ (TOPTAPE) : PET, PE, PEF
リール (REEL) : ポリスチレン (P.S) <リサイクル材を含む>
POLYSTYRENE (PS) <RECYCLE MATERIAL CONTAINED>
- 本製品は 54550-***9I の鉛フリー品である。
THIS PRODUCT IS LEAD FREE OF 54550-***9I.
- ELV 及び RoHS 適合品 / ELV AND RoHS COMPLIANT.

REVISED EC NO: J2010-1202 DRWN: TONO 2009/12/11 CHKD: SHIMOMIYAMA 2009/12/11 APPR: KMORI KAWA 2009/12/14	GENERAL TOLERANCES (UNLESS SPECIFIED)		DIMENSION STYLE MM ONLY		SCALE ---	DESIGN UNITS METRIC	THIRD ANGLE PROJECTION
	10 UNDER	±0.2	DRAWN BY M. NINOMIYA	DATE 2004/02/12	TITLE EMBSTP PKG FOR 0.5 FPC CONN ZIF UPR CONT		
	10 OVER 30 UNDER	±0.25	CHECKED BY K. TOJO	DATE 2004/02/12			
	30 OVER	±0.3	APPROVED BY M. SASAO	DATE 2004/02/12	MOLEX INCORPORATED		
ANGULAR ±3 °		MATERIAL NO.	DOCUMENT NO.	SHEET NO.			
DRAFT WHERE APPLICABLE MUST REMAIN WITHIN DIMENSIONS		SEE SHEET 1 OR 2		SD-54550-043		1 OF 3	
		SIZE A3		THIS DRAWING CONTAINS INFORMATION THAT IS PROPRIETARY TO MOLEX INCORPORATED AND SHOULD NOT BE USED WITHOUT WRITTEN PERMISSION			

引き出し方向
PULL OUT DIRECTION



SECT. Y-Y



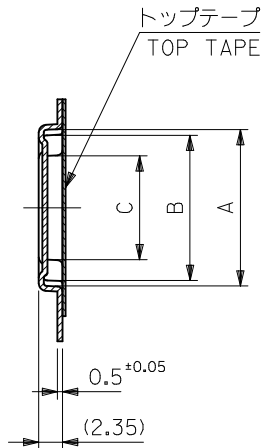
SECT. X-X

16mm幅キャリアテープ
16mm WIDTH CARRIER TAPE

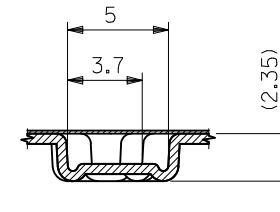
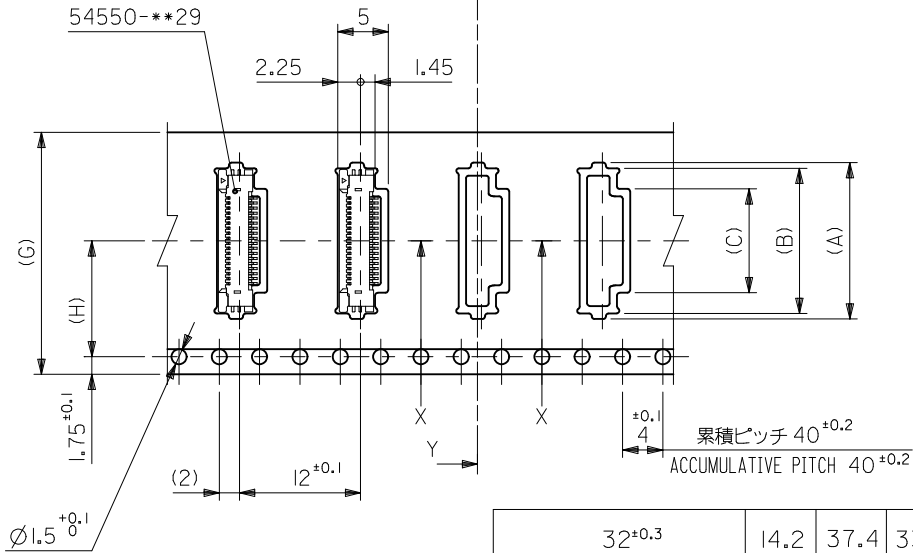
16	21.4	17.4	4.3	8.4	9.5	54550-0671	6		
			3.8	7.9	9	54550-0571	5		
			3.3	7.4	8.5	54550-0471	4		
キャリアテープ幅 CARRIER TAPE WIDTH			E	D	(C)	(B)	(A)	製品番号 MATERIAL No.	極数 Ck†

REVISED EC NO: J2010-1202 DRWN: TONO 2009/12/11 CHKD: SHIMOMIYAMA 2009/12/11 APPR: KMORIKAWA 2009/12/14	GENERAL TOLERANCES (UNLESS SPECIFIED)		DIMENSION STYLE MM ONLY		SCALE ---	DESIGN UNITS METRIC	THIRD ANGLE PROJECTION	
	10 UNDER	± 0.2	DRAWN BY M. NINOMIYA	DATE 2004/02/12	TITLE EMBSTP PKG FOR 0.5 FPC CONN ZIF UPR CONT			
	10 OVER 30 UNDER	± 0.25	CHECKED BY K. TOJO	DATE 2004/02/12				
	30 OVER	± 0.3	APPROVED BY M. SASAO	DATE 2004/02/12	MOLEX INCORPORATED SEE TABLE SD-54550-043			
	ANGULAR ± 3 °		MATERIAL NO.					
DRAFT WHERE APPLICABLE MUST REMAIN WITHIN DIMENSIONS		SIZE A3		THIS DRAWING CONTAINS INFORMATION THAT IS PROPRIETARY TO MOLEX INCORPORATED AND SHOULD NOT BE USED WITHOUT WRITTEN PERMISSION				

引き出し方向
PULL OUT DIRECTION



SECT. Y-Y



SECT. X-X

24, 32mm幅キャリアテープ
24mm, 32mm WIDTH CARRIER TAPE

24 ^{±0.3}	11.5	29.4	25.4	32 ^{±0.3}	14.2	37.4	33.4	14.3	18.4	19.5	54550-2671	26
				13.3	17.4	18.5	54550-2471	24				
				12.3	16.4	17.5	54550-2271	22				
				11.8	15.9	17	54550-2171	21				
				11.3	15.4	16.5	54550-2071	20				
				10.8	14.9	16	54550-1971	19				
				10.3	14.4	15.5	54550-1871	18				
				9.8	13.9	15	54550-1771	17				
				9.3	13.4	14.5	54550-1671	16				
				8.3	12.4	13.5	54550-1471	14				
				7.8	11.9	13	54550-1371	13				
				7.3	11.4	12.5	54550-1271	12				
				6.8	10.9	12	54550-1171	11				
				6.3	10.4	11.5	54550-1071	10				
5.8	9.9	11	54550-0971	9								
5.3	9.4	10.5	54550-0871	8								
4.8	8.9	10	54550-0771	7								
G	キャリアテープ幅 CARRIER TAPE WIDTH	H	E	D	(C)	(B)	(A)	製品番号 MATERIAL No.	極数 Ck+			

REVISED EC NO: J2010-1202 DRWN: TONO 2009/12/11 CHKD: SHIMOMIYAMA 2009/12/11 APPR: KMORIKAWA 2009/12/14	GENERAL TOLERANCES (UNLESS SPECIFIED)		DIMENSION STYLE MM ONLY		SCALE ---	DESIGN UNITS METRIC	THIRD ANGLE PROJECTION	
	10 UNDER	±0.2	DRAWN BY M. NINOMIYA	DATE 2004/02/12	TITLE EMBSTP PKG FOR 0.5 FPC CONN ZIF UPR CONT			
	10 OVER 30 UNDER	±0.25	CHECKED BY K. TOJO	DATE 2004/02/12	MOLEX INCORPORATED			
	30 OVER	±0.3	APPROVED BY M. SASAO	DATE 2004/02/12	DOCUMENT NO. SD-54550-043		SHEET NO. 3 OF 3	
ANGULAR	±3 °	DRAFT WHERE APPLICABLE MUST REMAIN WITHIN DIMENSIONS		SEE TABLE		THIS DRAWING CONTAINS INFORMATION THAT IS PROPRIETARY TO MOLEX INCORPORATED AND SHOULD NOT BE USED WITHOUT WRITTEN PERMISSION		