



# TAI-SAW TECHNOLOGY CO., LTD.

No. 3, Industrial 2nd Rd., Ping-Chen Industrial District,  
Taoyuan, 324, Taiwan, R.O.C.

TEL: 886-3-4690038 FAX: 886-3-4697532

E-mail: [tstsales@mail.taisaw.com](mailto:tstsales@mail.taisaw.com) Web: [www.taisaw.com](http://www.taisaw.com)

## Approval Sheet For Product Specification

Issued Date:

Product Name: SAW Resonator 418 MHz SMD 5X5 mm

TST Parts No.: TC0117A

Customer Parts No.: \_\_\_\_\_

|                     |
|---------------------|
| Company: _____      |
| Division: _____     |
| Approved by : _____ |
| Date: _____         |

Checked by: Vincent Liu

Approval by: Francis Chen

Date: 2003/6/18



# TAI-SAW TECHNOLOGY CO., LTD.

No. 3, Industrial 2nd Rd., Ping-Chen Industrial District,  
Taoyuan, 324, Taiwan, R.O.C.

TEL: 886-3-4690038 FAX: 886-3-4697532

E-mail: [tstsales@mail.taisaw.com](mailto:tstsales@mail.taisaw.com) Web: [www.taisaw.com](http://www.taisaw.com)

## SAW Resonator 418 MHz

MODEL NO.: TC0117A

REV. NO.:1

### A. FEATURES:

1. 1-Port Resonator.

### B. MAXIMUM RATING:

1. Input Power Level: 0 dBm

2. DC voltage: 12 V

3. Operating Temperature: -40°C to +85°C

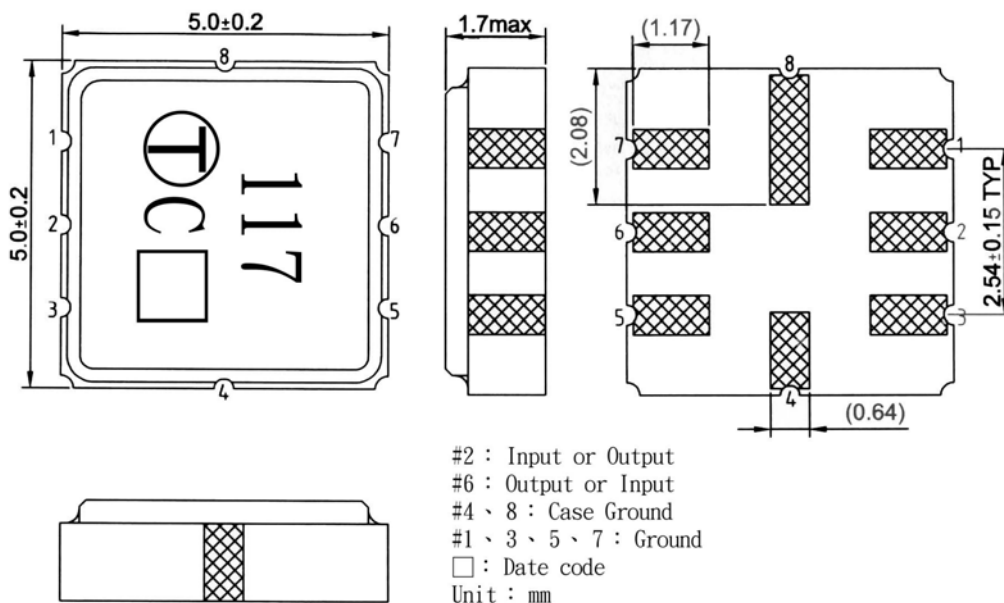
4. Storage Temperature: -40°C to +85°C

### C. ELECTRICAL CHARACTERISTICS:

| Characteristic                 | Units          | Minimum       | Typical | Maximum |
|--------------------------------|----------------|---------------|---------|---------|
| Center frequency <b>Fr</b>     | <b>MHz</b>     | 417.925       | 418     | 418.075 |
| Insertion Loss <b>IL</b>       | <b>dB</b>      |               | 0.9     | 2.0     |
| Equivalent Elements            |                |               |         |         |
| Motional capacitance <b>C1</b> | <b>fF</b>      | -             | 2.19    | -       |
| Motional inductance <b>L1</b>  | <b>μH</b>      | -             | 66.11   | -       |
| Motional resistance <b>R1</b>  | <b>Ohm</b>     | -             | 12.68   | -       |
| Parallel capacitance <b>Co</b> | <b>pF</b>      | -             | 3.65    | -       |
| Temp.coeff.                    | <b>ppm/c*2</b> | -             | 0.032   | -       |
| Turnover To                    | <b>deg.C</b>   | 20            | -       | 50      |
| Package size                   |                | SMD 5X5X1.4mm |         |         |

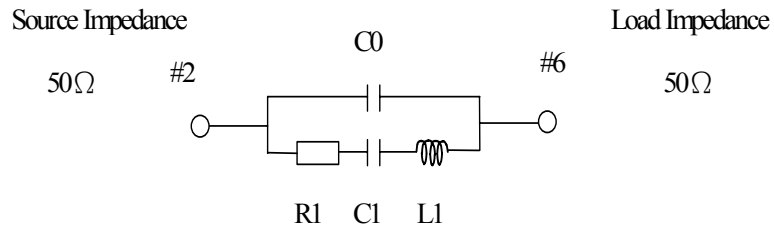
RoHS Compliant  
Lead free  
Lead-free soldering

### D. OUTLINE DRAWING:

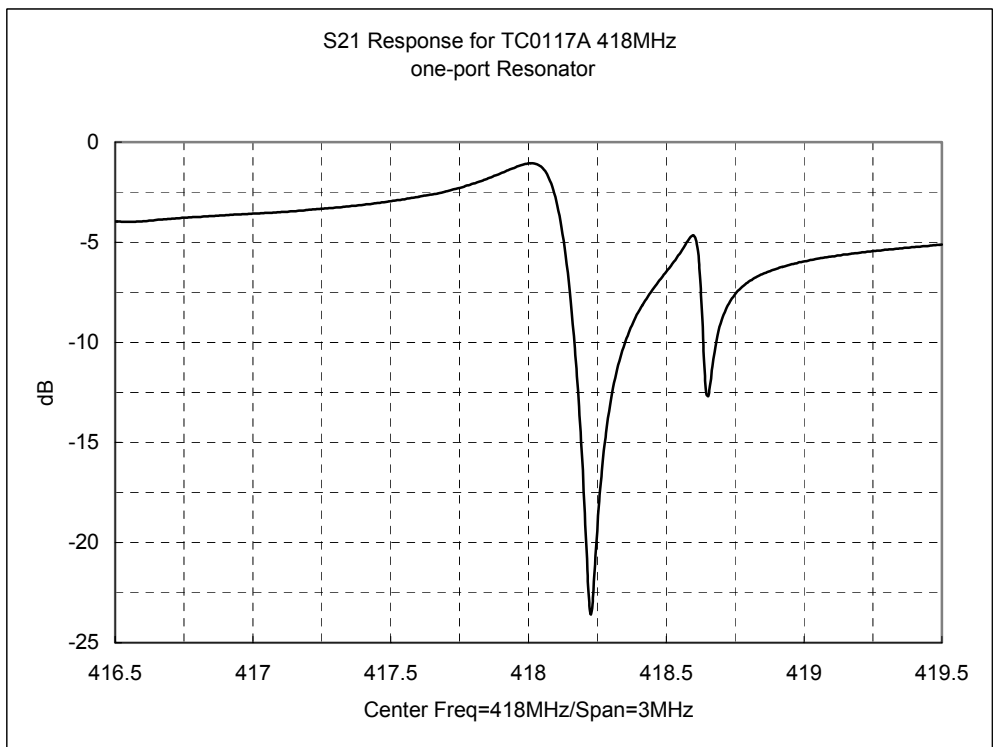


E. EQUIVALENT CIRCUIT:

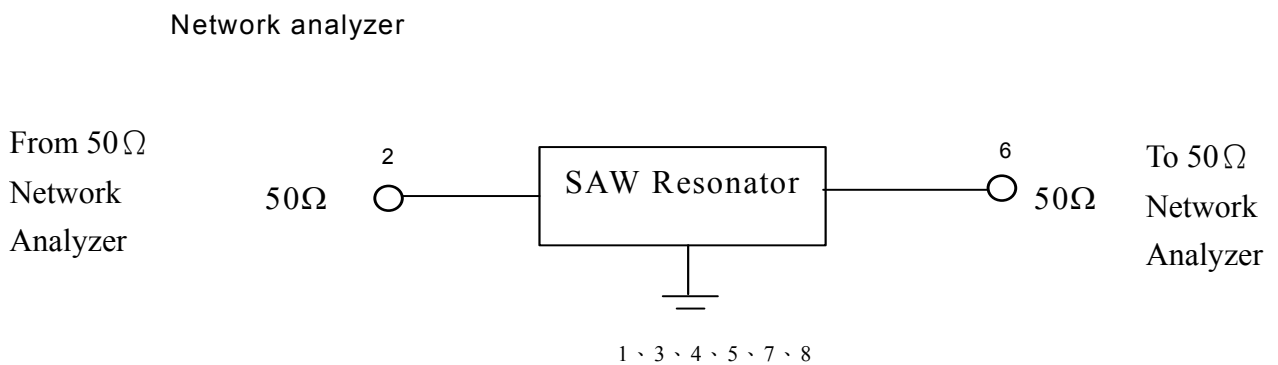
One-Port Resonator:



F. FREQUENCY CHARACTERISTICS:

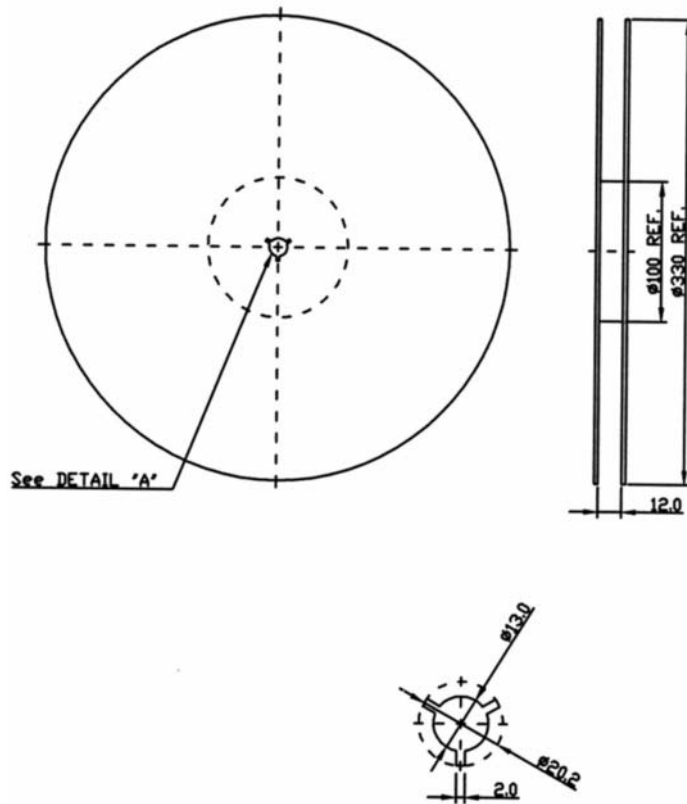


G. TEST CIRCUIT:



H. PACKING:

1. REEL DIMENSION



2. TAPE DIMENSION

