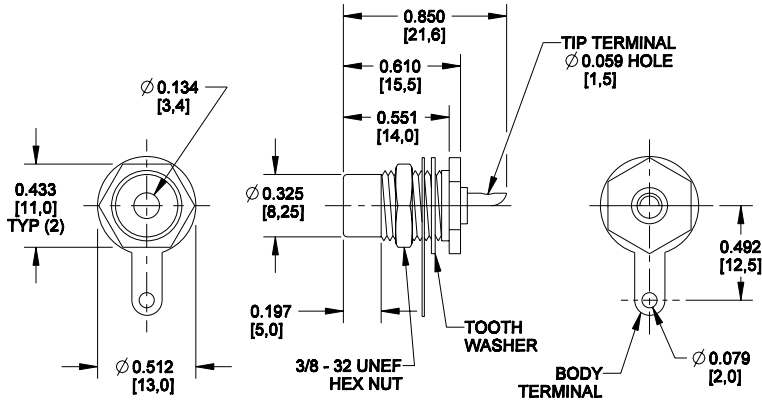
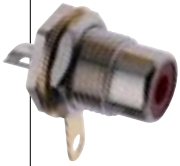


# BULKHEAD PHONO JACKS PRODUCT BULLETIN 536

## Product Information

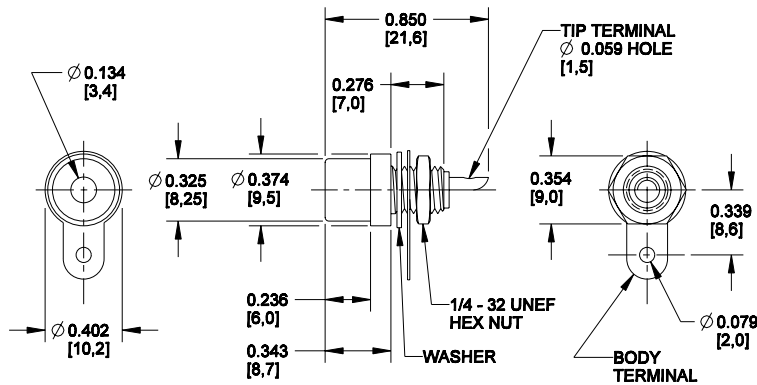
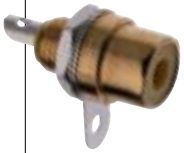
### Rear Mount Solder Type

DIMENSIONS ARE FOR REFERENCE ONLY <sup>Inch</sup>  
(mm)  
All PC Board layouts are component side



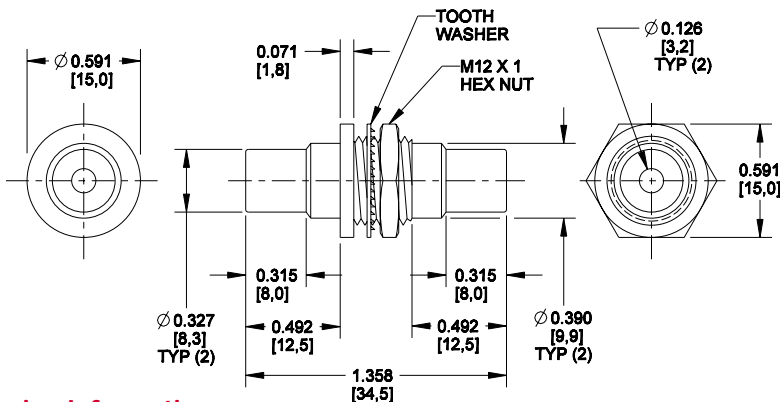
Part Number	Color
BPJR01	Black
BPJR01AU	Black
BPJR02	Red
BPJR02AU	Red
BPJR03	White
BPJR03AU	White
BPJR04	Yellow
BPJR04AU	Yellow

### Front Mount Solder Type



Part Number	Color
BPJF01	Black
BPJF01AU	Black
BPJF02	Red
BPJF02AU	Red
BPJF03	White
BPJF03AU	White
BPJF04	Yellow
BPJF04AU	Yellow

### Bulkhead Mount



Part Number	Color
BPJJ01	Black
BPJJ01AU	Black
BPJJ02	Red
BPJJ02AU	Red
BPJJ03	White
BPJJ03AU	White
BPJJ04	Yellow
BPJJ04AU	Yellow

### Ordering Information

BPJ	R	01	AU
Product Type	Mounting	Insulator Color	Shell Plating
Bulkhead Phono Jack	R = Rear F = Front B = Bulkhead	01 = Black 02 = Red 03 = White 04 = Yellow xx = Contact Factory	AU = Gold Empty = Nickel

# Switchcraft®

5555 North Elston Avenue / Chicago, IL 60630  
Phone: 773-792-2700 / Fax: 773-792-2129

www.switchcraft.com