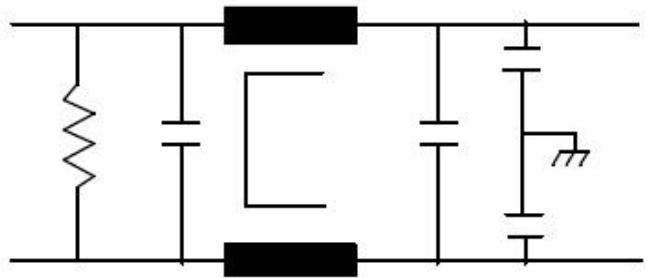




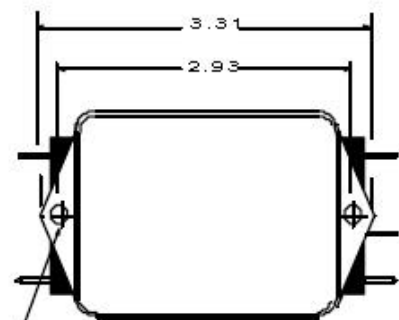
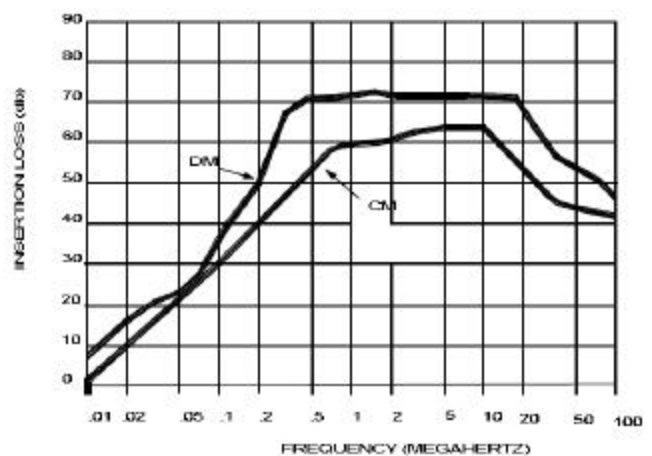
AA-1249-6

The 1249 filter is a compact, single phase, device with very good common mode and differential mode insertion loss. It is useful in systems using DC Motors, relays and power supplies with inductive inputs. The insertion loss has been designed to meet the European Level "B" conducted Emission requirements.

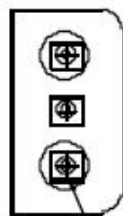


Operating Voltage = 115 / 250 V~
 Operating Current = 6A
 Operating Frequency = 50 / 60 Hz
 Temperature Range = -20 To 50 Deg. C
 Diel. Withstnd (L-Case) = 1500 V~ For 1 Min.
 Diel. Withstnd (L-L) = 1500 Vdc For 1 Min.
 Leakage Current = 1.5Ma At 250 V~, 60 Hz
 Discharge Volts After 1 Sec = 34 V Max.

Order P/N: AA-1249-6



.19 DIA. (2X)



.25 TAB TERM (5 PL)

