

PLEASE CHECK WWW.MOLEX.COM FOR LATEST PART INFORMATION

Part Number: [5005951000](#)
Status: **Active**
Description: 2.50mm (.098") Pitch Wire-to-Wire Plug Housing, Dual Row

Documents:

[3D Model](#) [Product Specification PS-500592-001 \(PDF\)](#)
[Drawing \(PDF\)](#) [RoHS Certificate of Compliance \(PDF\)](#)

General

Product Family Crimp Housings
 Series [500595](#)
 Product Name N/A

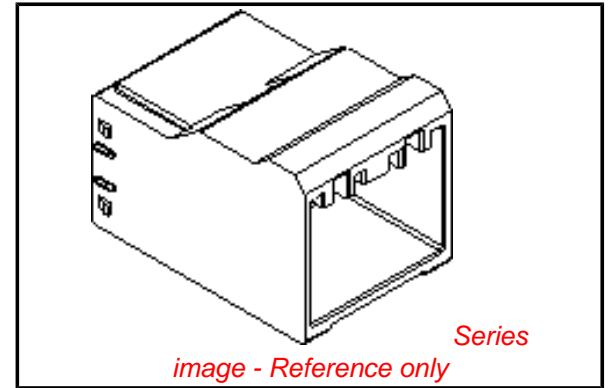
Physical

Circuits (maximum) 10
 Color - Resin Natural
 Gender Male
 Glow-Wire Compliant No
 Material - Resin Polyester
 Number of Rows 2
 Packaging Type Bag
 Panel Mount No
 Pitch - Mating Interface (in) 0.098 In
 Pitch - Mating Interface (mm) 2.50 mm
 Stackable No
 Temperature Range - Operating -40°C to +85°C

Material Info

Reference - Drawing Numbers

Product Specification PS-500592-001, RPS-500592-001, RPS-500592-002
 Sales Drawing SD-500595-001



EU RoHS

**ELV and RoHS
 Compliant**
**REACH SVHC
 Contains SVHC: No**
**Halogen-Free
 Status
 Not Reviewed**

China RoHS



**Need more information on product
 environmental compliance?**

Email productcompliance@molex.com
 For a multiple part number RoHS Certificate of
 Compliance, [click here](#)

Please visit the [Contact Us](#) section for any
 non-product compliance questions.

Search Parts in this Series

[500595Series](#)

Mates With

[500594](#)

Use With

[50398](#) , [500817](#)

DWG. NO.
SD-500595-001

F

D

V

C

B

DO NOT SCALE DRAWING

8

7

6

5

4

3

2

1

F

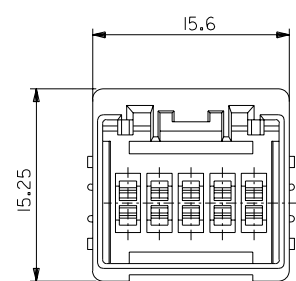
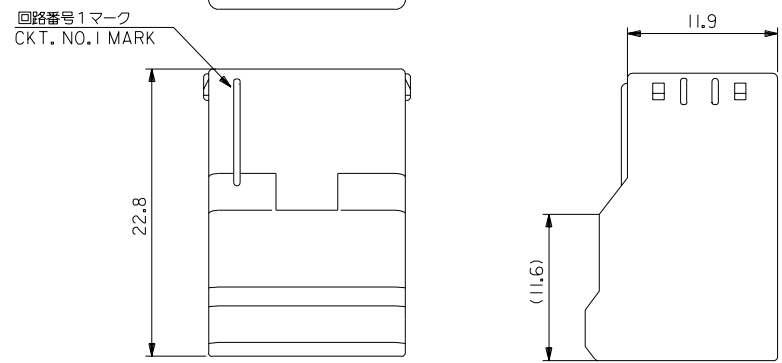
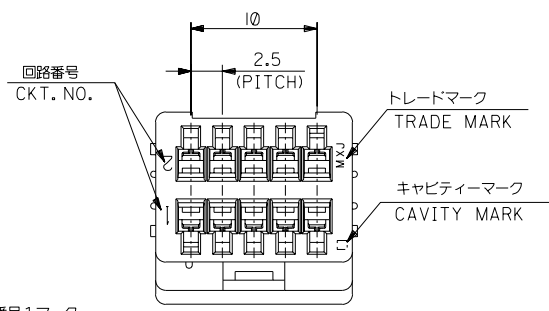
E

D

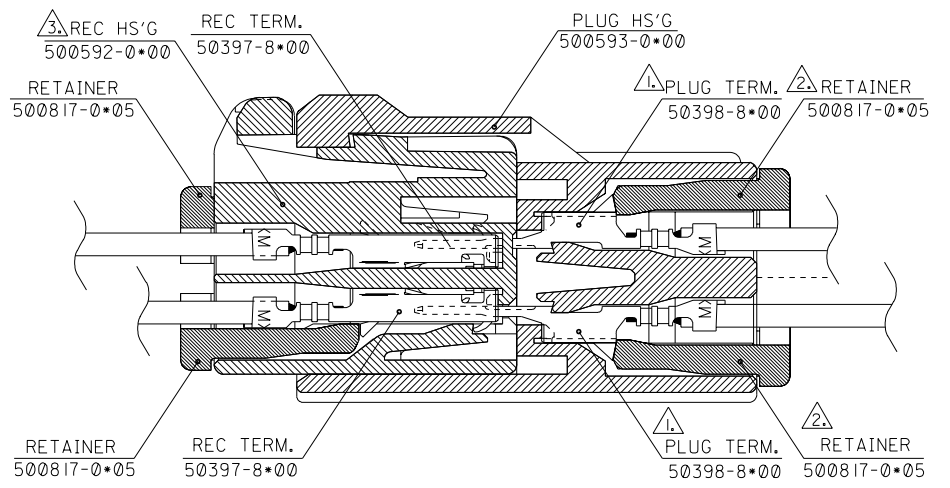
C

B

A



ターミナル装着・嵌合状態図
TERMINAL ASSEMBLY & MATING CONDITION



注記
NOTES

1. 適合ターミナル：50398シリーズ
APPLICABLE TERMINAL：503978 SERIES
2. 適合リテーナー：500817シリーズ
APPLICABLE RETAINER：500817 SERIES
3. 嵌合相手：500594シリーズ
MATE WITH：500594 SERIES
4. 材質：PBT (UL94V-0)
MATERIAL：PBT(UL94V-0)
色：自然色(白)
COLOR：NATURAL(WHITE)

500595-1000	500595-****
MATERIAL NO.	MODEL NO.
DIMENSIONS:	
<input type="checkbox"/> mm	<input type="checkbox"/> INCH
<input type="checkbox"/> mm	<input checked="" type="checkbox"/> mm ONLY
SHT	REV
	REVISE ON CAD ONLY

GENERAL TOLERANCES: (UNLESS SPECIFIED) 一般公差		SCALE //	DESIGN UNITS <input checked="" type="checkbox"/> mm <input type="checkbox"/> INCH
10 UNDER 未満	±0.2	DRAWN BY & DATE <i>T.ODA</i> '04/06/09	
10 OVER 以上	±0.25	CHECKED BY & DATE <i>S. Ichikawa</i>	
30 UNDER 未満	±0.3	APPROVED BY & DATE <i>Y. Ito</i>	
30 OVER 以上	±0.3	CAD FILENAME SD-500595-001.S01	
ANGLE 角度	±3°	MATERIAL NO. SEE CHART	

TITLE: 2.5 mm WIRE TO WIRE CONN. PLUG HOUSING(10 CKT)			
MOLEX INCORPORATED			
MATERIAL NO.	DRAWING NO.	SHEET NO.	
SEE CHART	SD-500595-001	1 OF 1	
THIS DRAWING CONTAINS INFORMATION THAT IS PROPRIETARY TO MOLEX INCORPORATED AND SHOULD NOT BE USED WITHOUT WRITTEN PERMISSION.			SIZE B

EC NO. DRWN: CHK: APPR:	EC NO. DRWN: CHK: APPR:	EC NO. DRWN: CHK: APPR:	EC NO. DRWN: CHK: APPR:	EC NO. DRWN: CHK: APPR:	RELEASED EC NO. J2004-4643 DRWN: T.ODA '04/06/09 CHK: S.ICHIKAWA APPR: YO.ITO	MATERIAL 材料 //	FINISH 仕上げ //	WIRE RANGE 適用線径範囲 //	INS. RANGE 被覆外径 //
					0				

8

7

6

5

4

3

2