

PLEASE CHECK WWW.MOLEX.COM FOR LATEST PART INFORMATION

Part Number: [0901513208](#)
Status: **Active**
Overview: [cgrid_sl_products](#)
Description: 2.54mm (.100") Pitch C-Grid III™ PC Board Connector, Dual Row, Vertical, 8 Circuits

Documents:

[3D Model](#)
[Drawing \(PDF\)](#)

[RoHS Certificate of Compliance \(PDF\)](#)

General

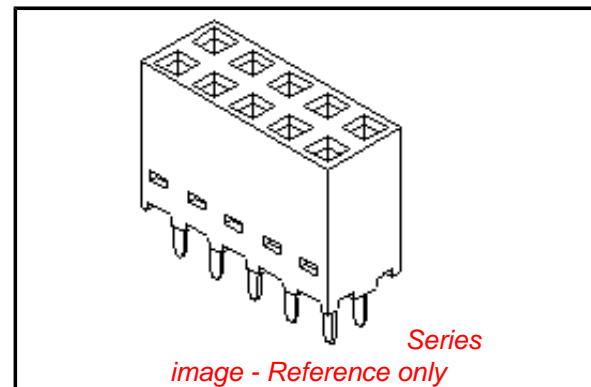
| | |
|----------------|-----------------------------------|
| Product Family | PCB Receptacles |
| Series | 90151 |
| Application | Board-to-Board |
| Overview | cgrid_sl_products |
| Product Name | C-Grid III™ |

Physical

| | |
|--------------------------------|--------------------|
| Circuits (Loaded) | 08 |
| Circuits (maximum) | 8 |
| Color - Resin | Black |
| Durability (mating cycles max) | 500 |
| Glow-Wire Compliant | No |
| Guide to Mating Part | No |
| Keying to Mating Part | None |
| Lock to Mating Part | No |
| Material - Metal | Phosphor Bronze |
| Material - Plating Mating | Gold |
| Material - Plating Termination | Tin |
| Material - Resin | Polyester |
| Number of Rows | 2 |
| Orientation | Vertical |
| PC Tail Length (in) | 0.102 In |
| PC Tail Length (mm) | 2.60 mm |
| PCB Locator | No |
| PCB Retention | None |
| PCB Thickness Recommended (in) | 0.031 In, 0.067 In |
| PCB Thickness Recommended (mm) | 1.20 mm, 1.70 mm |
| Packaging Type | Tube |
| Pitch - Mating Interface (in) | 0.100 In |
| Pitch - Mating Interface (mm) | 2.54 mm |
| Pitch - Term. Interface (in) | 0.100 In |
| Pitch - Term. Interface (mm) | 2.54 mm |
| Plating min: Mating (µin) | 15.2 |
| Plating min: Mating (µm) | 0.38 |
| Plating min: Termination (µin) | 120 |
| Plating min: Termination (µm) | 3 |
| Polarized to Mating Part | No |
| Polarized to PCB | No |
| Stackable | Yes |
| Surface Mount Compatible (SMC) | No |
| Temperature Range - Operating | -55°C to +125°C |
| Termination Interface: Style | Through Hole |

Electrical

| | |
|-------------------------------|----|
| Current - Maximum per Contact | 3A |
| Grounding to PCB | No |



EU RoHS

ELV and RoHS Compliant
REACH SVHC
Contains SVHC: No
Halogen-Free
Status
Not Reviewed

China RoHS



Need more information on product environmental compliance?

Email productcompliance@molex.com
 For a multiple part number RoHS Certificate of Compliance, [click here](#)

Please visit the [Contact Us](#) section for any non-product compliance questions.

Search Parts in this Series

[90151Series](#)

Mates With

0.64mm (.025") square pins

Voltage - Maximum

350V AC/DC

Material Info

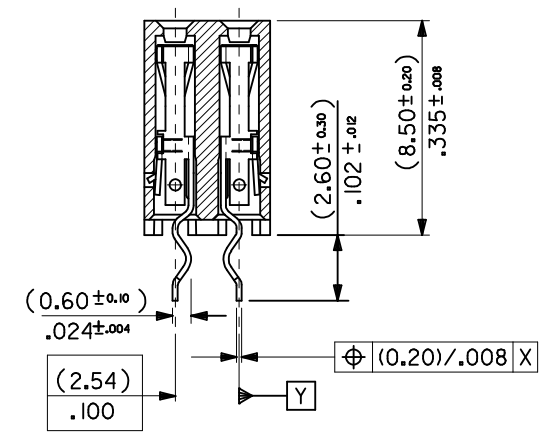
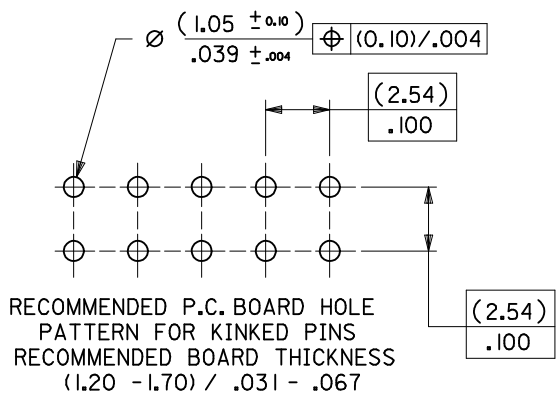
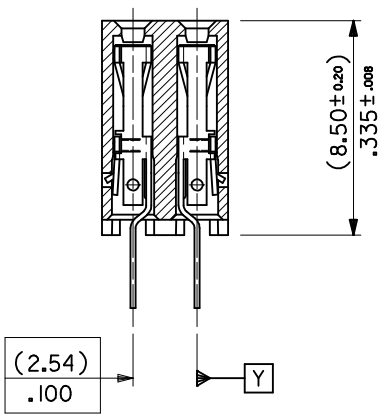
Reference - Drawing Numbers

Sales Drawing

SDA-90151

This document was generated on 05/24/2010

PLEASE CHECK WWW.MOLEX.COM FOR LATEST PART INFORMATION



NOTES

- 1) CONTACT-PLATED PHOSPHOR BRONZE.
- 2) HOUSING-15% GLASS FILLED POLYESTER. COLOUR-BLACK.
- 3) COMPATIBLE WITH PCB HOLE PATTERN.
- 4) FOR (0.635)/.025 SQ. MALE PINS THE LENGTH MUST BE (5.65)/.222 MIN & (7.00)/.276 MAX. TO ENSURE GOOD CONNECTION WITH CONTACT.

| | |
|---|----|
| 6 | AF |
| 5 | AD |
| 4 | AD |
| 3 | AD |
| 2 | AG |
| 1 | AH |

| ADD INSET FOR GATE EC NO: E2009-0250 DRWN: BMAGUIRE 2008/12/08 CHKD: 2008/12/08 APPR: BMAGUIRE 2008/12/08 | QUALITY SYMBOLS ▽=0 ◻=0 | GENERAL TOLERANCES (UNLESS SPECIFIED) | | DIMENSION STYLE MM ONLY | | SCALE 1:1 | | DESIGN UNITS METRIC | | THIRD ANGLE PROJECTION | | | | | | | | | | | | | | | | |
|---|-------------------------------|---|-------|----------------------------|----|---------------------------|----------|------------------------|-------|------------------------|-------|-------|----------|--------|-------|---------|--------|-------|----------------|--|------------------|--|--|--|--|--|
| | | <table border="1"> <thead> <tr> <th></th> <th>mm</th> <th>INCH</th> </tr> </thead> <tbody> <tr> <td>4 PLACES</td> <td>± ---</td> <td>± ---</td> </tr> <tr> <td>3 PLACES</td> <td>± ---</td> <td>± ---</td> </tr> <tr> <td>2 PLACES</td> <td>± 0.05</td> <td>± ---</td> </tr> <tr> <td>1 PLACE</td> <td>± 0.10</td> <td>± ---</td> </tr> </tbody> </table> | | | mm | INCH | 4 PLACES | ± --- | ± --- | 3 PLACES | ± --- | ± --- | 2 PLACES | ± 0.05 | ± --- | 1 PLACE | ± 0.10 | ± --- | DRAWN BY DB | | DATE 21/07/86 | | TITLE C-GRID III DUAL ROW VERTICAL P.C. BOARD CONNECTOR | | | |
| | | | mm | INCH | | | | | | | | | | | | | | | | | | | | | | |
| | | 4 PLACES | ± --- | ± --- | | | | | | | | | | | | | | | | | | | | | | |
| 3 PLACES | ± --- | ± --- | | | | | | | | | | | | | | | | | | | | | | | | |
| 2 PLACES | ± 0.05 | ± --- | | | | | | | | | | | | | | | | | | | | | | | | |
| 1 PLACE | ± 0.10 | ± --- | | | | | | | | | | | | | | | | | | | | | | | | |
| DRAFT WHERE APPLICABLE MUST REMAIN WITHIN DIMENSIONS | | APPROVED BY | | DATE | | MOLEX INCORPORATED | | | | | | | | | | | | | | | | | | | | |
| AH | | REV | | MATERIAL NO. SEE CHART | | DOCUMENT NO. SDA-90151 | | SHEET NO. 1 OF 5 | | | | | | | | | | | | | | | | | | |

SEE CHART
PART NO. SDA-90151
DWG. NO.

| PART NO. STRAIGHT PINS | PART NO. KINKED PINS | NO.OF CKTS. | DIM." A" | DIM." B" (± 0.00): ± 0.02 | QTY. PER TUBE |
|------------------------------|----------------------------|----------------|---------------|--|------------------|
| 90151-2X04 | 90151-3X04 | 4 | (2.54) .100 | (5.08) .200 | 105 |
| ▲ ▲ 06 | ▲ ▲ 06 | 6 | (5.08) .200 | (7.62) .300 | 72 |
| 08 | 08 | 8 | (7.62) .300 | (10.16) .400 | 52 |
| 10 | 10 | 10 | (10.16) .400 | (12.70) .500 | 44 |
| 12 | 12 | 12 | (12.70) .500 | (15.24) .600 | 36 |
| 14 | 14 | 14 | (15.24) .600 | (17.78) .700 | 30 |
| 16 | 16 | 16 | (17.78) .700 | (20.32) .800 | 26 |
| 18 | 18 | 18 | (20.32) .800 | (22.86) .900 | 24 |
| 20 | 20 | 20 | (22.86) .900 | (25.40) 1.000 | 22 |
| 22 | 22 | 22 | (25.40) 1.000 | (27.94) 1.100 | 20 |
| 24 | 24 | 24 | (27.94) 1.100 | (30.48) 1.200 | 18 |
| 26 | 26 | 26 | (30.48) 1.200 | (33.02) 1.300 | 16 |
| 28 | 28 | 28 | (33.02) 1.300 | (35.56) 1.400 | 14 |
| 30 | 30 | 30 | (35.56) 1.400 | (38.10) 1.500 | 14 |
| 32 | 32 | 32 | (38.10) 1.500 | (40.64) 1.600 | 13 |
| 34 | 34 | 34 | (40.64) 1.600 | (43.18) 1.700 | 12 |
| 36 | 36 | 36 | (43.18) 1.700 | (45.72) 1.800 | 12 |
| 38 | 38 | 38 | (45.72) 1.800 | (48.26) 1.900 | 11 |
| 40 | 40 | 40 | (48.26) 1.900 | (50.80) 2.000 | 11 |
| 42 | 42 | 42 | (50.80) 2.000 | (53.34) 2.100 | 11 |
| 44 | 44 | 44 | (53.34) 2.100 | (55.88) 2.200 | 10 |
| 46 | 46 | 46 | (55.88) 2.200 | (58.42) 2.300 | 10 |
| 48 | 48 | 48 | (58.42) 2.300 | (60.96) 2.400 | 9 |
| 50 | 50 | 50 | (60.96) 2.400 | (63.50) 2.500 | 8 |
| 52 | 52 | 52 | (63.50) 2.500 | (66.04) 2.600 | 8 |
| 54 | 54 | 54 | (66.04) 2.600 | (68.58) 2.700 | 8 |
| 56 | 56 | 56 | (68.58) 2.700 | (71.12) 2.800 | 7 |
| 58 | 58 | 58 | (71.12) 2.800 | (73.66) 2.900 | 7 |
| 60 | 60 | 60 | (73.66) 2.900 | (76.20) 3.000 | 7 |
| ▼ ▼ 62 | ▼ ▼ 62 | 62 | (76.20) 3.000 | (78.74) 3.100 | 7 |
| 90151-2X64 | 90151-3X64 | 64 | (78.74) 3.100 | (81.28) 3.200 | 6 |

PLATING VERSION A

PRE-PLATED HOT DIP TIN
1.0 TO 2.5 um (.000040" TO .000100").

PLATING VERSION E

1.27 TO 1.78 um (.000050" TO .000070") NICKEL
OVERALL, 0.38 TO 0.64 um (.000015" TO .000025")
GOLD ON CONTACT AREA (OVER NICKEL).
3 TO 5 um (.000120" TO .000200") TIN
ON SOLDER TAILS (OVER NICKEL).

PLATING VERSION F.

1.27 TO 1.78 um (.000050" TO .000070") NICKEL
OVERALL, 0.76 TO 1.0 um (.000030" TO .000040")
GOLD ON CONTACT AREA (OVER NICKEL).
3 TO 5 um (.000120" TO .000200") TIN
ON SOLDER TAILS (OVER NICKEL).

PLATING VERSION G.

1.27 TO 1.78 um (.000050" TO .000070") NICKEL
OVERALL, 0.125 um MIN. (.000005" MIN.) GOLD FLASH
ON CONTACT AREA (OVER NICKEL).
3 TO 5 um (.000120" TO .000200") TIN
ON SOLDER TAILS (OVER NICKEL).

PLATING VERSION N.

1.27 TO 1.78 um (.000050" TO .000070") NICKEL
OVERALL, 0.76 TO 2.6 um (.000030" TO .000100")
GOLD ON CONTACT AREA (OVER NICKEL).
4 um (.000120") MINIMUM TIN
ON SOLDER TAILS (OVER NICKEL).

STANDARD PRODUCTS

90151-XXYY

INDICATES NO. OF CIRCUITS.

- PLATING CODE.
1 = VERSION A.
2 = VERSION E.
3 = VERSION F.
4 = VERSION N.
5 = VERSION G.

SEE CHART

FOR PREVIOUS
DRAWING ISSUES
SEE MRI.

LEAD FREE CONVERSION
NEW BORDER ADDED
Ec NO. E2004-0610
DRAWN: PSHEAHAN 06/01/2004
CHK:
APPR:
AH

DESCRIPTION
MAJOR
CRITICAL
REV

QUALITY SYMBOLS
GENERAL TOLERANCES:
(UNLESS SPECIFIED)
SCALE
DESIGN UNITS
THIRD ANGLE PROJECTION
DRAWN BY & DATE
CHECKED BY & DATE
APPROVED BY & DATE
ANGULAR: ± °
DRAFT WHERE APPLICABLE MUST
REMAIN WITHIN DIMENSIONS

mm INCH
mm INCH
mm ONLY
DRAWN BY & DATE
DB 14/ 7/87
CHECKED BY & DATE
APPROVED BY & DATE
CAD FILENAME SA90151X2 DGN

DIMENSIONS:
mm INCH
mm ONLY
SHT
REV
REVISE ON CAD ONLY
TITLE:
C-GRID III
DUAL ROW VERTICAL
P.C. BOARD CONNECTOR
MOLEX INCORPORATED
MATERIAL NO.
DRAWING NO.
SHEET NO.
THIS DRAWING CONTAINS INFORMATION THAT IS PROPRIETARY TO MOLEX INCORPORATED AND SHOULD NOT BE USED WITHOUT WRITTEN PERMISSION.
SIZE B