

PLEASE CHECK WWW.MOLEX.COM FOR LATEST PART INFORMATION

Part Number: [0900750031](#)
Status: **Active**
Overview: [modular_plugs_jacks](#)
Description: Modular Plug, Short Body, 6/6

Documents:

[3D Model](#) [Product Specification PS-90075 \(PDF\)](#)
[Drawing \(PDF\)](#) [RoHS Certificate of Compliance \(PDF\)](#)

Agency Certification

UL E107635

General

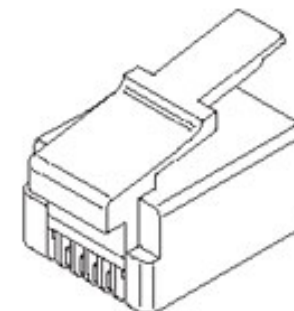
Product Family Modular Jacks/Plugs
 Series [90075](#)
 Component Type Wire Plug
 Magnetic No
 Overview [modular_plugs_jacks](#)
 Performance Category 3
 Power over Ethernet (PoE) N/A
 Product Name RJ11

Physical

Boot Color N/A
 Color - Resin Clear
 Durability (mating cycles max) 500
 Flammability 94V-0
 Inverted / Top Latch N/A
 Lightpipes/LEDs None
 Material - Metal Phosphor Bronze
 Material - Plating Mating Gold
 Material - Plating Termination Tin
 Material - Resin Polycarbonate
 Orientation N/A
 PCB Retention None
 Packaging Type Bag
 Pitch - Mating Interface (in) 0.040 In
 Pitch - Mating Interface (mm) 1.02 mm
 Pitch - Term. Interface (in) 0.040 In
 Pitch - Term. Interface (mm) 1.02 mm
 Plating min: Mating (µin) 50.8
 Plating min: Mating (µm) 1.27
 Plating min: Termination (µin) 50
 Plating min: Termination (µm) 1.27
 Ports 1
 Positions / Loaded Contacts 6/6
 Surface Mount Compatible (SMC) No
 Temperature Range - Operating -40°C to +60°C
 Termination Interface: Style N/A
 Waterproof / Dustproof No
 Wire/Cable Type Flat Oval

Electrical

Current - Maximum per Contact 1.5A
 Grounding to Panel N/A
 Shielded No



Series

image - Reference only

EU RoHS

**ELV and RoHS
Compliant**
REACH SVHC
 Not Reviewed
**Halogen-Free
Status**

China RoHS



**Need more information on product
environmental compliance?**

Email productcompliance@molex.com
 For a multiple part number RoHS Certificate of
 Compliance, [click here](#)

Please visit the [Contact Us](#) section for any
 non-product compliance questions.

Search Parts in this Series

[90075Series](#)

Mates With

[FCC 68 Jacks...](#)

Application Tooling | FAQ

*Tooling specifications and manuals are
 found by selecting the products below.
 Crimp Height Specifications are then
 contained in the Application Tooling
 Specification document.*

Global

Description	Product #
IDT - Manual Press	0011201273
Parallel Action	0690081122
Handtool for 90075 Modular Plug, FCC 68, 6/6 Circuit, Short Body	

Voltage - Maximum

125V DC

Material Info

Reference - Drawing Numbers

Application Specification

AS-90075

Packaging Specification

PK-90075-003

Product Specification

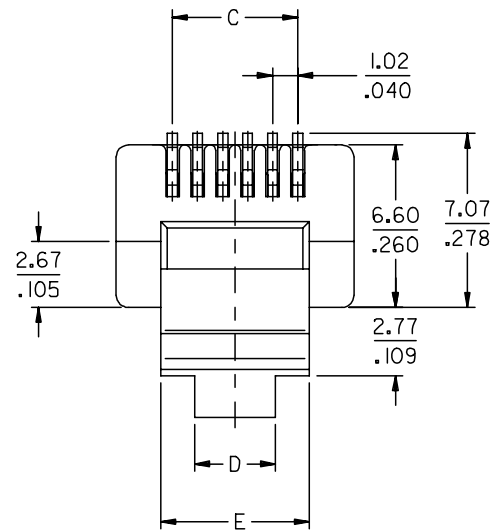
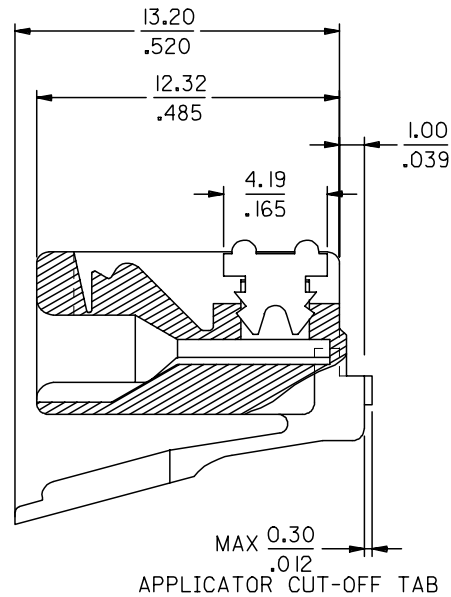
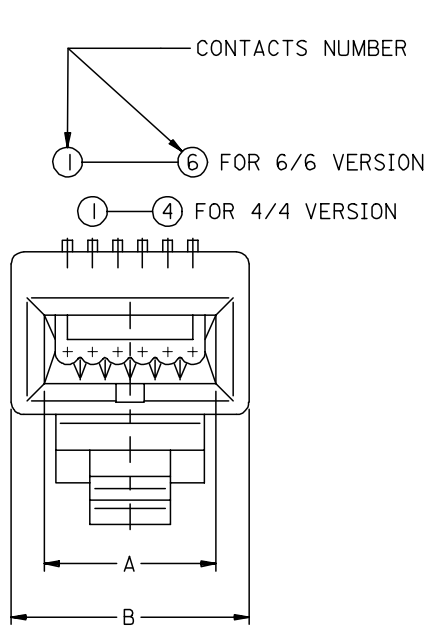
PS-90075

Sales Drawing

SDA-90075

This document was generated on 06/08/2010

PLEASE CHECK WWW.MOLEX.COM FOR LATEST PART INFORMATION



NOTES:

- 1- MATERIAL:
 HOUSING: POLYCARBONATE CLEAR
 TERMINAL: 0.38/.015 THICK PHOSPHOR BRONZE
 PLATING: SEE PLATINGS CHART
- 2- PRODUCT INTENDED TO TERMINATE FLAT OVAL CABLE CONFORMING TO REA BULLETIN 345-80-PE 75 HAVING 0.94/.037 Ø MAXI OVER CONDUCTORS INSULATION
- 3- PRODUCT SPECIFICATION: PS-90075
- 4- APPLICATION SPECIFICATION: AS-90075

CKTS	NUMBER OF LOADED CONTACTS	PLATING	LOOSE PIECE		DIMENSIONS				
			PART NUMBER	TOOLED	A	B	C	D	E
4	4				5.21 .205	7.62 .300	3.05 .120	2.54 .100	4.95 .195
		2	90075-0027	YES					
6	4				6.99 .275	9.65 .380	5.08 .200	3.25 .128	6.05 .238
		2	90075-0035	YES					
	6								
		2	90075-0031	YES					

PLATINGS	
②	0.00127/.000050 MIN GOLD IN CONTACT AREA 0.00127/.000050 MIN PURE TIN IN PIERCE AREA BOTH OVER 0.00127/.000050 MIN NICKEL.

REMOVED PART #s	DESCRIPTION
EC NO: E2007-0321	2006/10/23
DRWN:DBYRNES	2006/10/23
CHKD:	2006/10/23
APPR:EDMAHONY	2006/10/24

QUALITY SYMBOLS	DESCRIPTION
▽=0	
▽C=0	

GENERAL TOLERANCES (UNLESS SPECIFIED)	DIMENSION STYLE
	MM/IN
4 PLACES ± --- ± ---	DRAWN BY DATE
3 PLACES ± --- ± ---	CHECKED BY DATE
2 PLACES ± --- ± ---	APPROVED BY DATE
1 PLACE ± --- ± ---	DATE
ANGULAR ± 2 °	
DRAFT WHERE APPLICABLE MUST REMAIN WITHIN DIMENSIONS	

MATERIAL NO.	DOCUMENT NO.
SEE CHART	SDA-90075
SIZE A3	

SCALE 5:1	DESIGN UNITS METRIC	THIRD ANGLE PROJECTION
W.E. TYPE MODULAR PLUG 4/4 6/4 AND 6/6 FOR OVAL FLAT CABLE		
MOLEX INCORPORATED		
SHEET NO. 2 OF 2		