

**PLEASE CHECK WWW.MOLEX.COM FOR LATEST PART INFORMATION**

**Part Number:** [0855075002](#)  
**Status:** **Active**  
**Overview:** [modular\\_plugs\\_jacks](#)  
**Description:** Modular Jack, Vertical, High Speed Shielded, Through Hole, Cat 5,without Ribs, 8 Circuits

**Documents:**

[3D Model](#) [Application Specification \(PDF\)](#)  
[Drawing \(PDF\)](#) [RoHS Certificate of Compliance \(PDF\)](#)

**Agency Certification**

UL E107635

**General**

Product Family Modular Jacks/Plugs  
 Series [85507](#)  
 Component Type PCB Jack  
 Magnetic No  
 Overview [modular\\_plugs\\_jacks](#)  
 Performance Category 5e  
 Power over Ethernet (PoE) N/A  
 Product Name RJ45

**Physical**

Color - Resin Black  
 Durability (mating cycles max) 500  
 Flammability 94V-0  
 Inverted / Top Latch No  
 Lightpipes/LEDs None  
 Material - Metal Brass, Phosphor Bronze  
 Material - Plating Mating Gold  
 Material - Plating Termination Tin  
 Material - Resin High Temperature Thermoplastic  
 Orientation Vertical (Top Entry)  
 PCB Retention Yes  
 Packaging Type Tray  
 Plating min: Mating (µin) 50.8  
 Plating min: Mating (µm) 1.27  
 Plating min: Termination (µin) 76  
 Plating min: Termination (µm) 1.9  
 Ports 1  
 Positions / Loaded Contacts 8/8  
 Temperature Range - Operating -40°C to +80°C  
 Termination Interface: Style Through Hole  
 Wire/Cable Type N/A

**Electrical**

Current - Maximum per Contact 1.5A  
 Shielded Yes  
 Voltage - Maximum 125V AC

**Material Info**

**Reference - Drawing Numbers**

Application Specification AS-85513-001  
 Packaging Specification PK-95022  
 Sales Drawing SD-85507-501

**EU RoHS**

**ELV and RoHS Compliant**  
**REACH SVHC Contains SVHC: No**  
**Halogen-Free Status**

**China RoHS**



**Halogen-Free**

**Need more information on product environmental compliance?**

Email [productcompliance@molex.com](mailto:productcompliance@molex.com)  
 For a multiple part number RoHS Certificate of Compliance, [click here](#)

Please visit the [Contact Us](#) section for any non-product compliance questions.

**Search Parts in this Series**

[85507Series](#)

**Mates With**

FCC 68 Plugs

This document was generated on 06/07/2010

**PLEASE CHECK [WWW.MOLEX.COM](http://WWW.MOLEX.COM) FOR LATEST PART INFORMATION**

**NOTES :**

**I- MATERIAL:**

-HOUSING: LCP FIBER GLASS FILLED UL 94-V0  
COLOR BLACK.

-TERMINAL: PHOSPHOR BRONZE.

**PLATING:**

POST PLATE 0.00127-0.00152/.000050-.000060 GOLD IN  
CONTACT AREA , 0.00190/.000075 MIN PURE TIN  
IN TAIL AREA BOTH OVER 0.00127/.000050 MIN NICKEL  
OVERALL.

-SHIELD: BRASS PLATED WITH 0.0020/.00078 TIN

2- JACK FOR MATING WITH F.C.C. 68 SHIELDED PLUGS (95043 MOLEX SERIES).

3- PRODUCT SPECIFICATION PS-95540-002 AND PS-85505-001 (SECTION 5.2).

4- PACKAGING SPECIFICATION PK-95022 (TRAY PACKAGING).

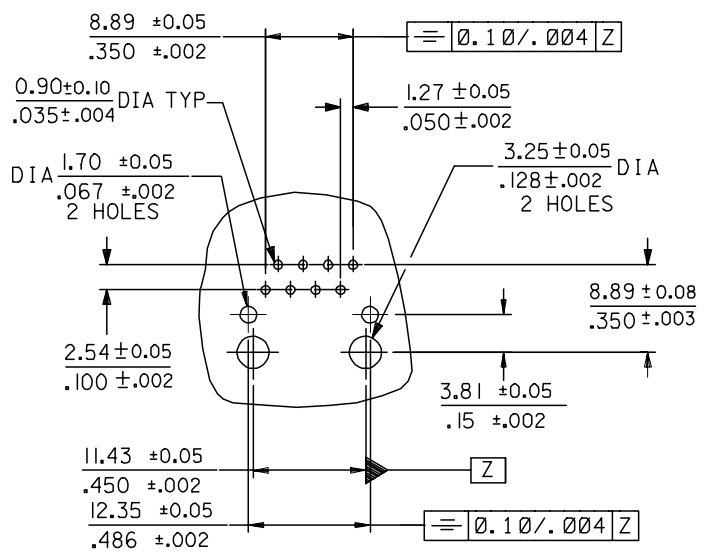
5- EXCEEDS CATEGORY 5E PERFORMANCE.

6- PC BOARD THICKNESS: 1.57/.062

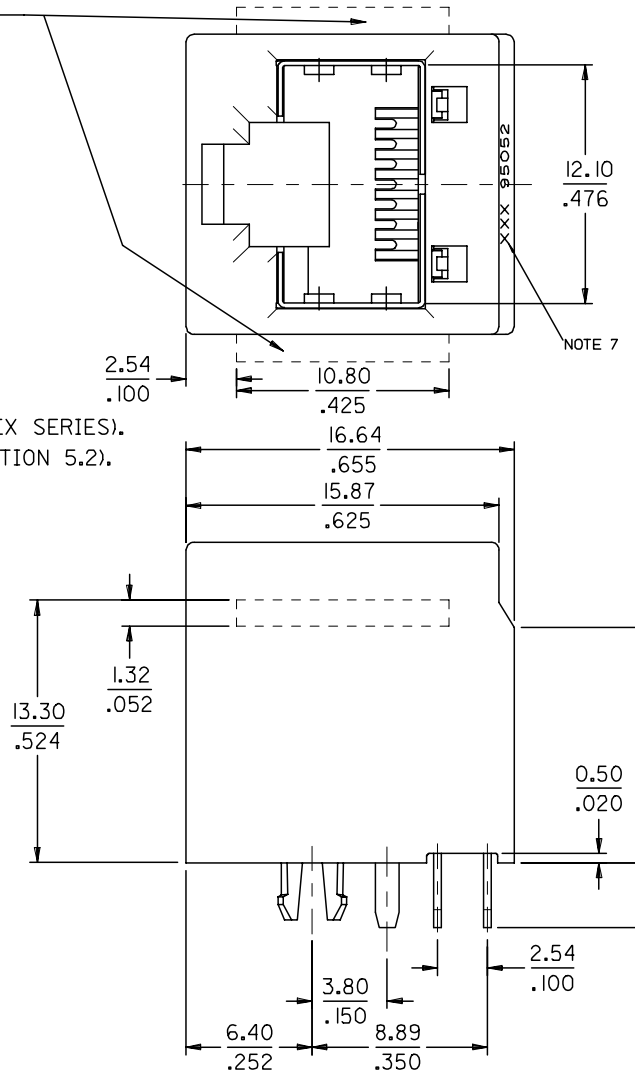
7- MANUFACTURING I.D. CAN BE MG, MXF OR MXI.

8- APPLICATION SPECIFICATION: AS-85513-001

**P.C.B. MOUNTING PATTERN**  
(see from component side)  
SCALE 2:1

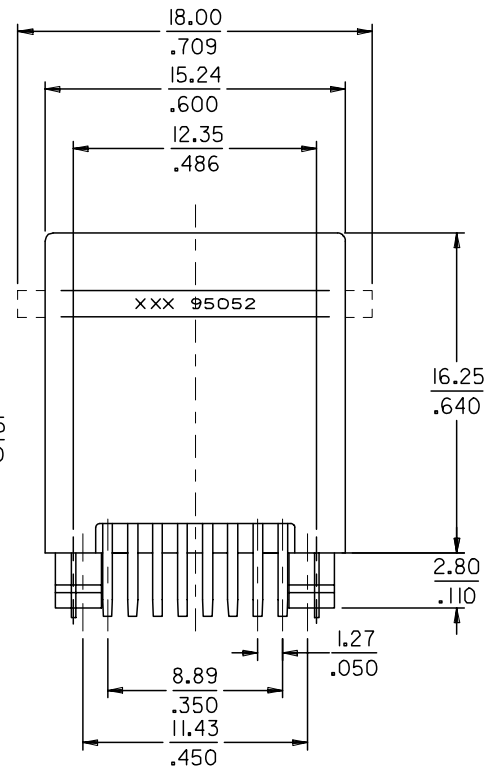


OPTIONAL RIBS



JACK WITH RIBS  
MATERIAL NR.: 85507-5001

JACK WITHOUT RIBS  
MATERIAL NR.: 85507-5002



<b>ADDED NOTE:</b> EC NO: E2007-0766 DRWN: OBYRNES CHKD: APPR: EOMAHONY	2007/04/02 2007/04/02 2007/04/04	QUALITY SYMBOLS ▽=0 ▽=0	GENERAL TOLERANCES (UNLESS SPECIFIED)		DIMENSION STYLE MM/IN		SCALE 4:1	DESIGN UNITS METRIC	THIRD ANGLE PROJECTION					
			4 PLACES ± --- ± ---	3 PLACES ± --- ± .006	2 PLACES ± 0.15 ± .010	1 PLACE ± 0.25 ± ---	ANGULAR ± 2 °	DRAWN BY FB	DATE 98/08/05	CHECKED BY FM	DATE 98/08/05	APPROVED BY FB	DATE 98/08/05	TITLE TOP ENTRY HIGH SPEED SHIELDED MODULAR JACK THROUGH HOLE 8 CIRCUIT
			DRAFT WHERE APPLICABLE MUST REMAIN WITHIN DIMENSIONS			SEE CHART		MOLEX INCORPORATED		DOCUMENT NO. SD-85507-501	SHEET NO. 1 OF 1			
			THIS DRAWING CONTAINS INFORMATION THAT IS PROPRIETARY TO MOLEX INCORPORATED AND SHOULD NOT BE USED WITHOUT WRITTEN PERMISSION											