

**PLEASE CHECK WWW.MOLEX.COM FOR LATEST PART INFORMATION**

**Part Number:** [0760920002](#)  
**Status:** **Active**  
**Overview:** [sfp\\_stacked\\_multiport\\_connectors](#)  
**Description:** Small Form-factor Pluggable Plus (SFP+) Stacked 2-by-4 Multi-Port Connector with 2 Inner Lightpipe Ports, Elastomeric Gasket, 160 Circuits, Tin (Sn)/Lead(Pb) Tails

**Documents:**

<a href="#">Drawing (PDF)</a>	<a href="#">Test Summary (PDF)</a>
<a href="#">3D Model</a>	<a href="#">RoHS Certificate of Compliance (PDF)</a>
<a href="#">Application Specification (PDF)</a>	

**Agency Certification**

CSA	LR19980
UL	E29179

**General**

Product Family	I/O Connectors
Series	<a href="#">76092</a>
Application	Module-to-Board
Component Type	Receptacle
Overview	<a href="#">sfp_stacked_multiport_connectors</a>
Product Name	SFP Plus
Type	N/A

**Physical**

Boot Color	N/A
Circuits (Loaded)	160
Circuits (maximum)	160
Circuits Detail	160
Color - Resin	Black, Clear (Blue Tint)
Durability (mating cycles max)	100
Flammability	94V-0
Gender	Female
Keying to Mating Part	None
Lock to Mating Part	Yes
Material - Metal	High Performance Alloy (HPA)
Material - Plating Mating	Gold
Material - Plating Termination	Tin-Lead
Material - Resin	High Temperature Thermoplastic, Polycarbonate
Number of Rows	2
Orientation	Right Angle
PC Tail Length (in)	0.081 In
PC Tail Length (mm)	2.07 mm
PCB Locator	Yes
PCB Retention	Yes
PCB Thickness Recommended (in)	0.062 In
PCB Thickness Recommended (mm)	1.57 mm
Packaging Type	Tray
Panel Mount	No
Pitch - Mating Interface (in)	0.031 In
Pitch - Mating Interface (mm)	0.80 mm
Pitch - Term. Interface (in)	0.031 In
Pitch - Term. Interface (mm)	0.80 mm
Plating min: Mating (µin)	30.4
Plating min: Mating (µm)	0.76
Plating min: Termination (µin)	30.4

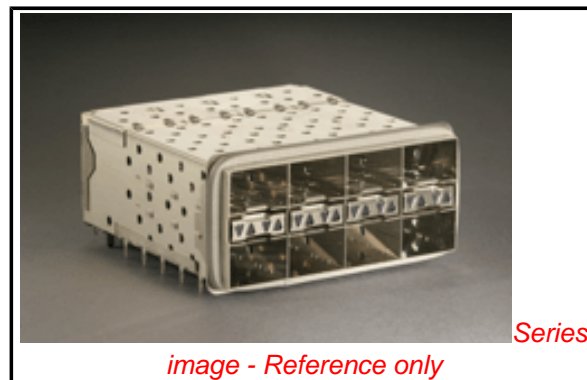


image - Reference only

**EU RoHS**

**RoHS Compliant by Exemption**  
**REACH SVHC**  
 Not Reviewed  
**Halogen-Free**  
**Status**  
**Not Reviewed**

**China RoHS**



**Need more information on product environmental compliance?**

Email [productcompliance@molex.com](mailto:productcompliance@molex.com)  
 For a multiple part number RoHS Certificate of Compliance, [click here](#)

Please visit the [Contact Us](#) section for any non-product compliance questions.

**Search Parts in this Series**

[76092Series](#)

**Use With**

[0759510999 SFP Dust Plug](#),

**Application Tooling | FAQ**

*Tooling specifications and manuals are found by selecting the products below. Crimp Height Specifications are then contained in the Application Tooling Specification document.*

**Global**

Description	Product #
SFP Stacked Multi-Port Insertion Tool, 2 by 4	<a href="#">0622029920</a>
SFP Stacked Multi-Port Extraction Tool, 2 by 4	<a href="#">0622029940</a>

Plating min: Termination (µm)	0.76
Polarized to Mating Part	Yes
Polarized to PCB	Yes
Ports	8
Surface Mount Compatible (SMC)	No
Temperature Range - Operating	-40°C to +85°C
Termination Interface: Style	Through Hole - Compliant Pin
Waterproof / Dustproof	No

### **Electrical**

Current - Maximum per Contact	0.5A
Grounding to Panel	None
Shield Type	EMI Gasket
Shielded	Yes
Voltage - Maximum	120V AC (RMS)/DC

### **Material Info**

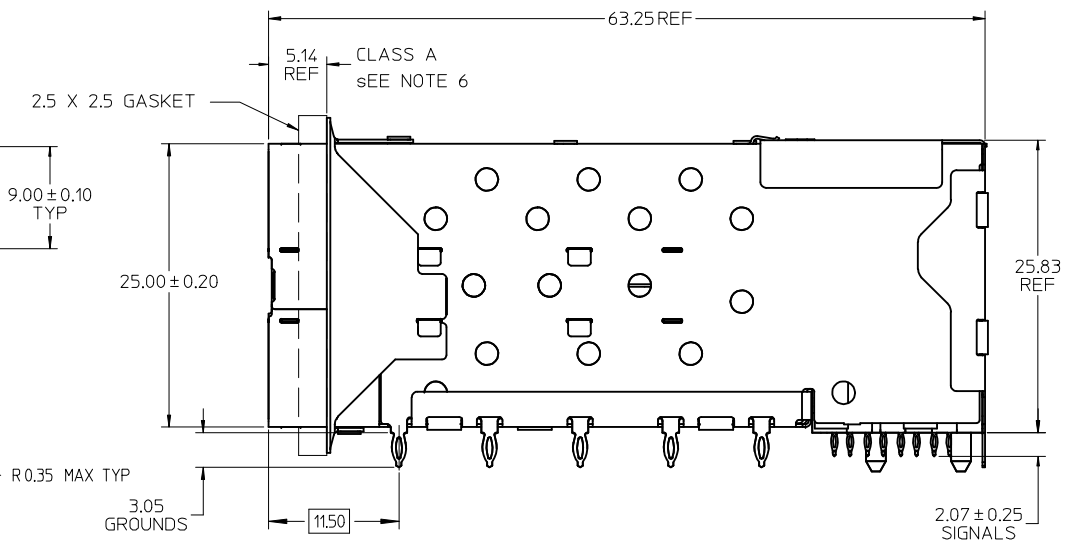
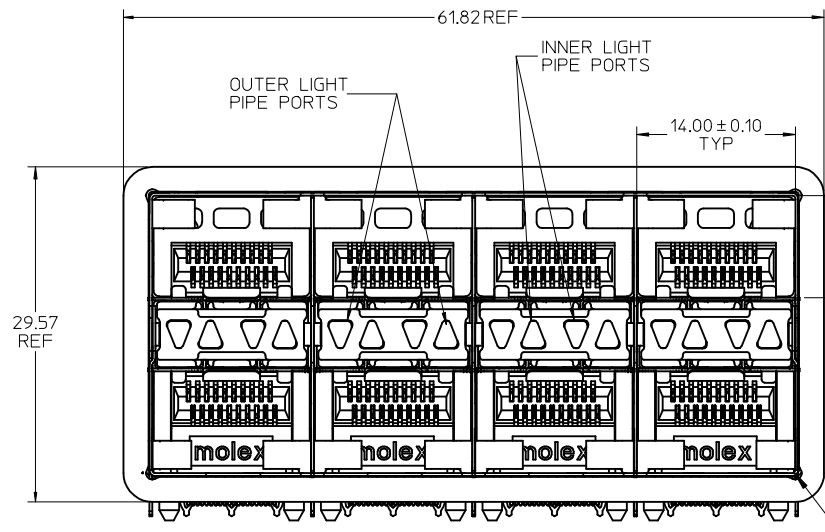
#### **Reference - Drawing Numbers**

Application Specification	AS-76090-001
Packaging Specification	PK-75450-001
Sales Drawing	SD-76092-001

This document was generated on 05/28/2010

**PLEASE CHECK [WWW.MOLEX.COM](http://WWW.MOLEX.COM) FOR LATEST PART INFORMATION**

PART NUMBER	DESCRIPTION	VIEW	COMPLIANT TAIL PLATING	CAGE PLATING
760920001	4 LIGHT PORTS	SEE PG 2	TIN / LEAD	N/A
760920002	INNER 2 PORTS	SEE PG 2	TIN / LEAD	N/A
760920003	OUTER 2 PORTS	SEE PG 2	TIN / LEAD	N/A
760925001	4 LIGHT PORTS	SEE PG 2	TIN	N/A
760925002	INNER 2 PORTS	SEE PG 2	TIN	N/A
760925003	OUTER 2 PORTS	SEE PG 2	TIN	N/A



NOTES:

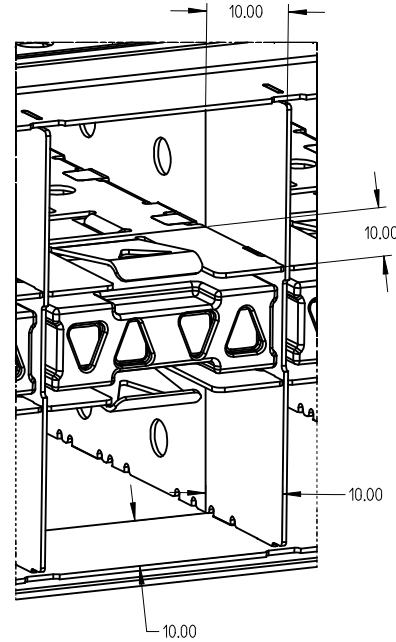
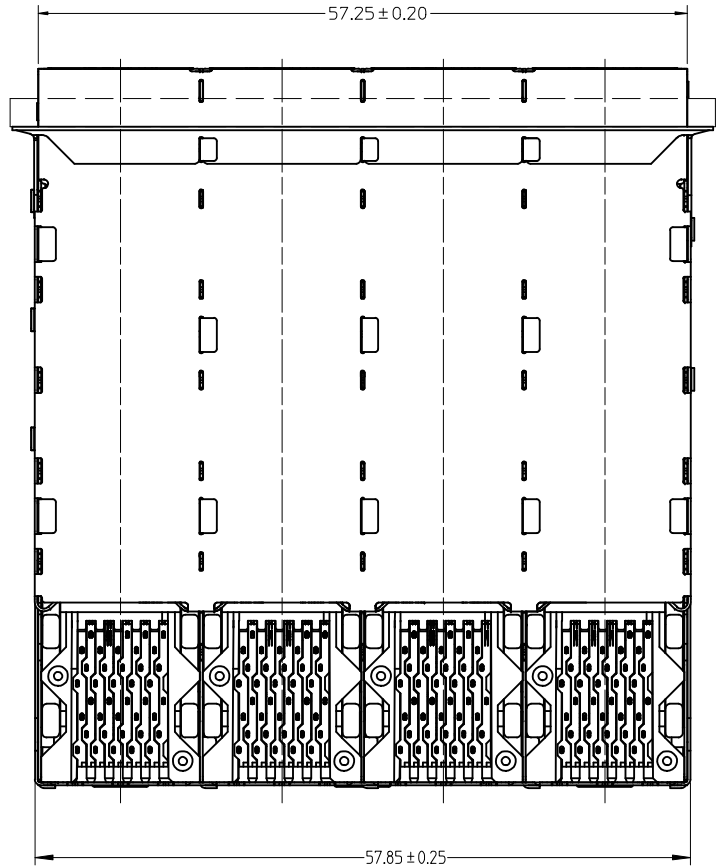
- MATERIAL:
  - CAGE: NICKEL SILVER, THICKNESS: 0.25mm
  - CAGE FLANGE: STAINLESS STEEL
  - EMI GASKET: CONDUCTIVE POLYMER
  - CONNECTOR HOUSING: GLASS FILLED HIGH TEMP PLASTIC, 94 V-0
  - COLOR: BLACK
  - OVERMOLDED TERMINAL HOUSING: GLASS FILLED HIGH TEMP PLASTIC, 94 V-0, COLOR: BLACK
  - TERMINALS: TIN BRASS
  - LIGHT PIPES: POLYCARBONITE, 94 V-0, COLOR: CLEAR
  - LIGHT PIPE HOUSING: ZINC
- FINISH:
  - LIGHT PIPE HOUSING: 150 MICRONS NICKEL OVER 150 MICRONS COPPER
  - TERMINALS: CONTACT AREA: 0.76 MICRONS MIN. HARD GOLD OVER 1.27 MICRONS NICKEL.
  - COMPLIANT TAIL - TIN/LEAD OPTION: 0.76 - 1.52 MICRONS 90/10 TIN/LEAD OVER 0.76 - 1.52 MICRONS NICKEL
  - COMPLIANT TAIL - TIN OPTION: 0.76 - 1.52 MICRONS TIN OVER 0.76 - 1.52 MICRONS NICKEL
- REFER TO PS-75310-001 PRODUCT SPEC FOR ALL ELECTRICAL, MECHANICAL AND ENVIRONMENTAL SPECIFICATIONS.
- LIGHT PIPE PAD LAYOUT IS FOR 0805 LOW-PROFILE LED PACKAGE, FOR OTHER RECOMMENDED LAYOUTS REFER TO MOLEX'S REPORT TS-75310-001.
- REFER TO PK-75450-001 FOR ALL PACKAGING SPECIFICATIONS.
- ALL EXTERIOR SURFACES TO BE CLASS 'B' SURFACE EXCEPT THE UNDER SIDE OF THE CAGE WHERE THE PCB WOULD BE LOCATED AND AS NOTED. THE SURFACES TO CONFORM TO THE MOLEX COSMETIC DOC PS-45499-002.

ADD KEEP OUT ZONES EC NO: UCP2009-0978 DRWIN:BARKER 2009/02/11 CHKD:BBARKER 2009/02/16 APPR:SMILLER 2009/02/16	QUALITY SYMBOLS	DESCRIPTION
	▽=0	
	▽=0	
	REV	

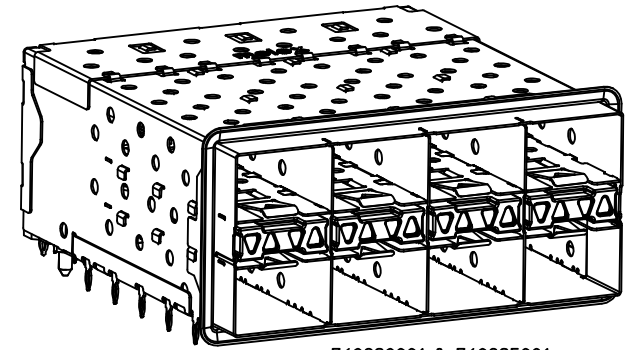
GENERAL TOLERANCES (UNLESS SPECIFIED)	
mm	INCH
4 PLACES ± .05	± .001
3 PLACES ± .03	± .001
2 PLACES ± 0.13	± .001
1 PLACE ± 0.25	± .001
ANGULAR ± 5 °	
DRAFT WHERE APPLICABLE MUST REMAIN WITHIN DIMENSIONS	

DIMENSION STYLE	
MM ONLY	
DRAWN BY	DATE
JLONG	01-26-2007
CHECKED BY	DATE
MSANDBERG	01-26-2007
APPROVED BY	DATE
RNELSON	01-26-2007
MATERIAL NO.	
SEE TABLE	
SIZE	
C	

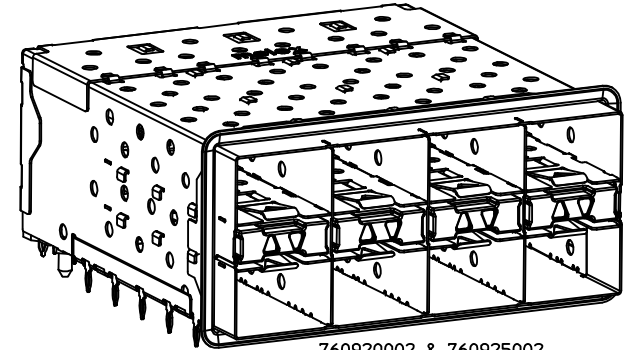
SCALE	DESIGN UNITS	THIRD ANGLE PROJECTION
3:1	METRIC	
TITLE		
STACKED SFP+ 2X4 ASS'Y WITH ELASTOMERIC GASKET AND LIGHTPIPES		
MOLEX INCORPORATED		
DOCUMENT NO.		SHEET NO.
SD-76092-001		1 OF 4
THIS DRAWING CONTAINS INFORMATION THAT IS PROPRIETARY TO MOLEX INCORPORATED AND SHOULD NOT BE USED WITHOUT WRITTEN PERMISSION		



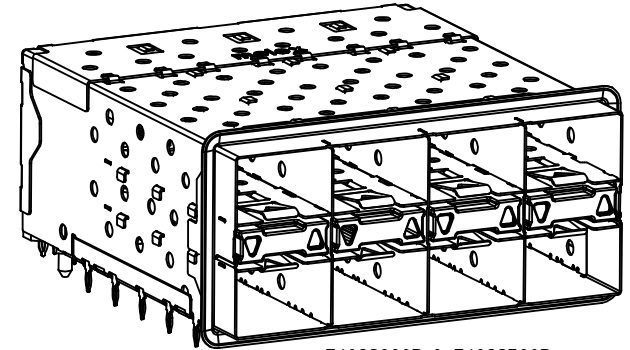
**PORT DETAIL**  
 10.00mm AREA SETBACK IN CAGE IS TO BE FREE OF ANY HOLES, DIMPLES, SEAMS OR ANY OTHER FEATURE. (4 SIDES PER PORT)



760920001 & 760925001  
 WITH INNER & OUTER LIGHT PIPE PORTS

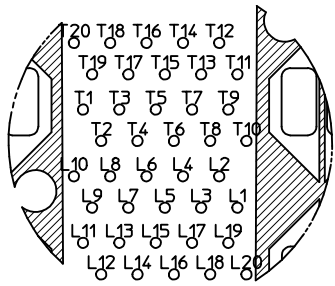


760920002 & 760925002  
 WITH INNER LIGHT PIPE PORTS

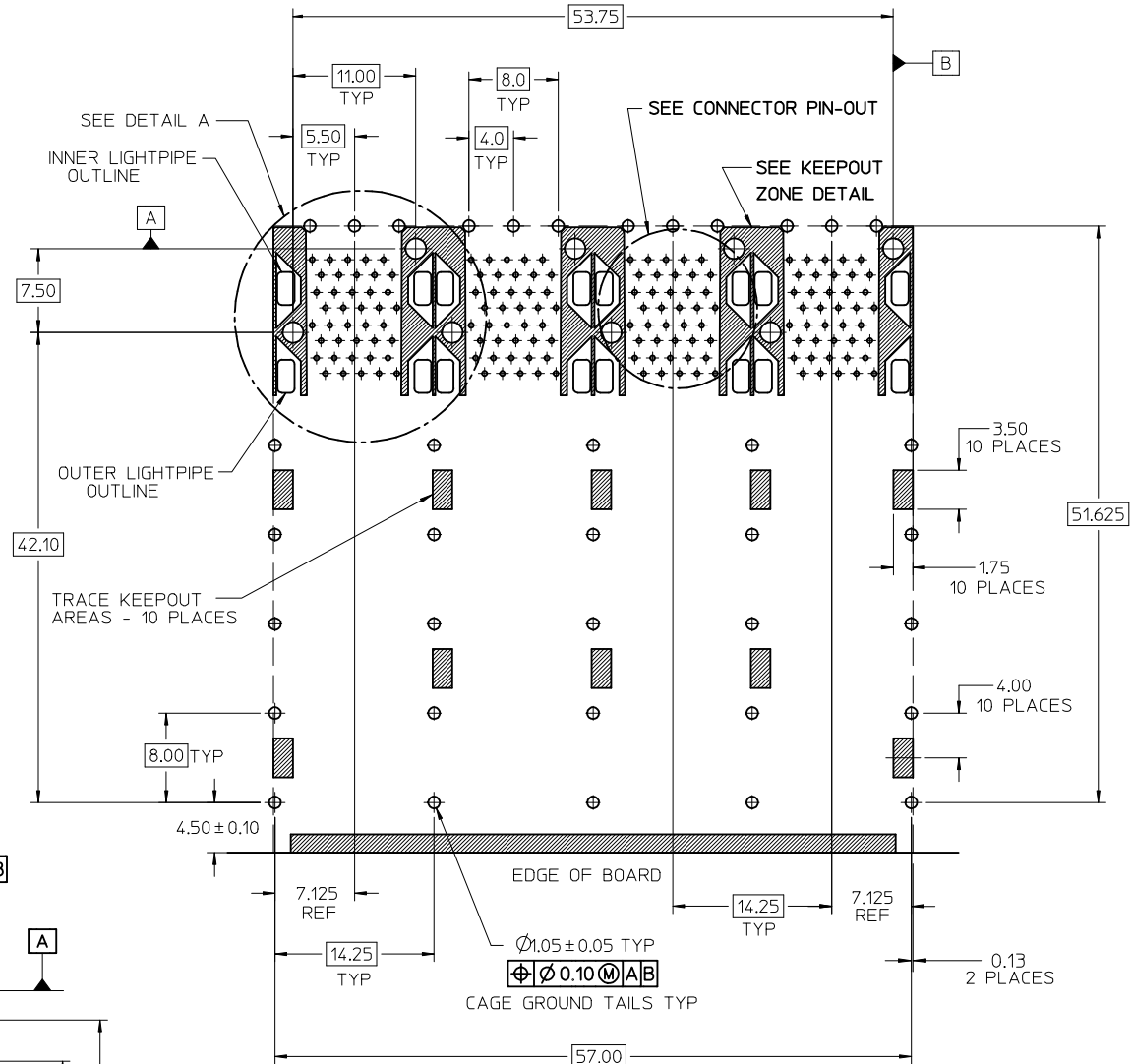
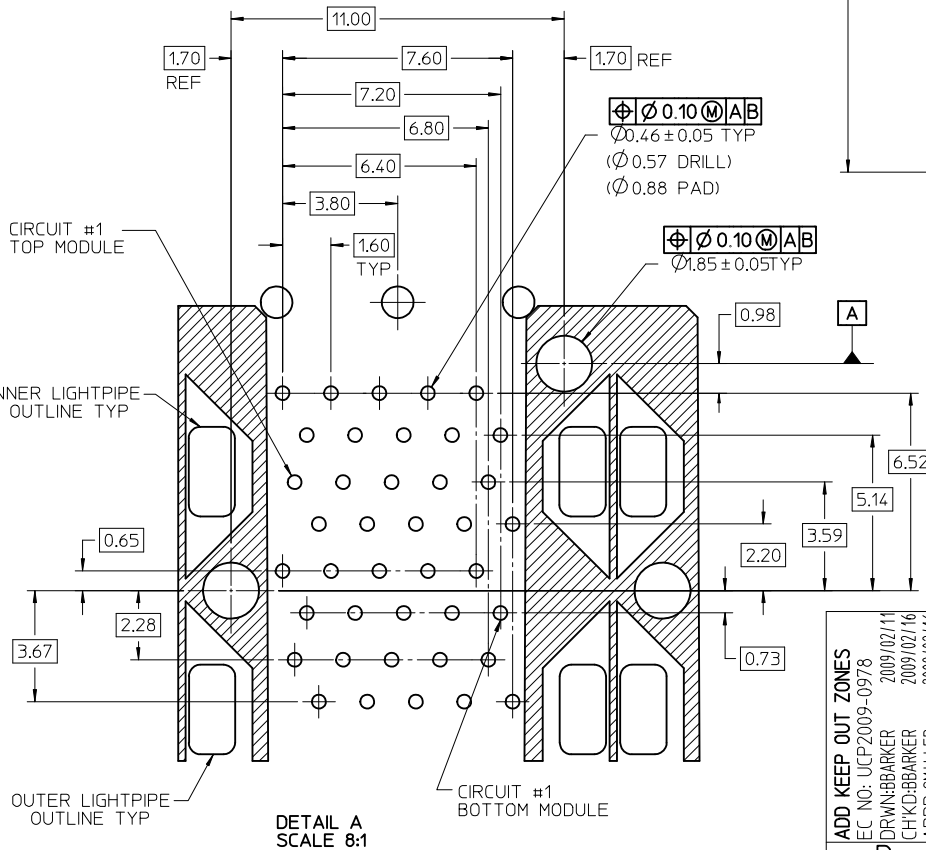


760920003 & 760925003  
 WITH OUTER LIGHT PIPE PORTS

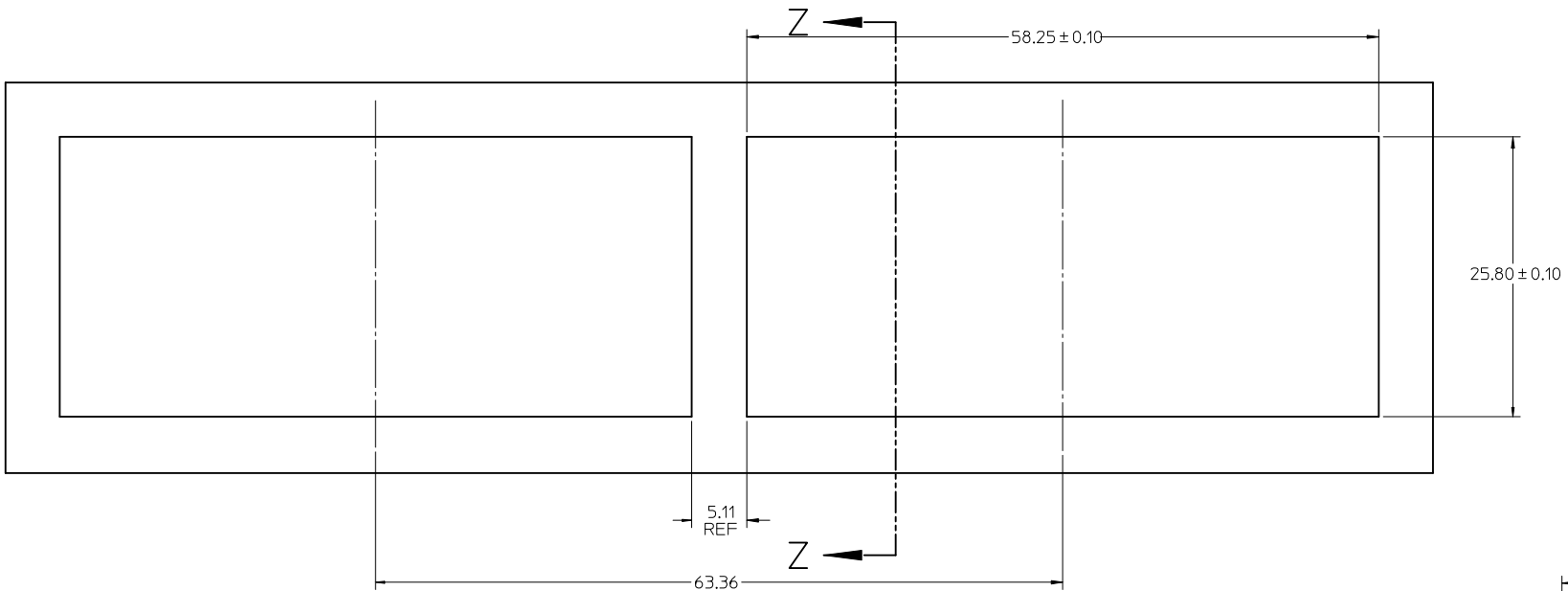
SEE SHEET 1 EC NO: UCP2009-0978 DRWN:BBARKER 2009/02/11 CHKD:BBARKER 2009/02/16 APPR:SMILLER 2009/02/16 REV:	QUALITY SYMBOLS ▽=0 ▽=0	GENERAL TOLERANCES (UNLESS SPECIFIED) <table border="1"> <tr> <th></th> <th>mm</th> <th>INCH</th> </tr> <tr> <td>4 PLACES</td> <td>± ---</td> <td>± ---</td> </tr> <tr> <td>3 PLACES</td> <td>± ---</td> <td>± ---</td> </tr> <tr> <td>2 PLACES</td> <td>± 0.13</td> <td>± ---</td> </tr> <tr> <td>1 PLACE</td> <td>± 0.25</td> <td>± ---</td> </tr> </table>		mm	INCH	4 PLACES	± ---	± ---	3 PLACES	± ---	± ---	2 PLACES	± 0.13	± ---	1 PLACE	± 0.25	± ---	DIMENSION STYLE <b>MM ONLY</b> DRAWN BY DATE JLONG 01-26-2007 CHECKED BY DATE MSANDBERG 01-26-2007 APPROVED BY DATE RNELSON 01-26-2007	SCALE <b>3:1</b> DESIGN UNITS <b>METRIC</b> THIRD ANGLE PROJECTION	TITLE <b>STACKED SFP+ 2X4 ASS'Y WITH ELASTOMERIC GASKET AND LIGHTPIPES</b>	MATERIAL NO. <b>SEE TABLE</b> SIZE <b>C</b>	DOCUMENT NO. <b>SD-76092-001</b>	SHEET NO. <b>2 OF 4</b>
		mm	INCH																				
	4 PLACES	± ---	± ---																				
	3 PLACES	± ---	± ---																				
2 PLACES	± 0.13	± ---																					
1 PLACE	± 0.25	± ---																					
DRAFT WHERE APPLICABLE MUST REMAIN WITHIN DIMENSIONS	THIS DRAWING CONTAINS INFORMATION THAT IS PROPRIETARY TO MOLEX INCORPORATED AND SHOULD NOT BE USED WITHOUT WRITTEN PERMISSION																						



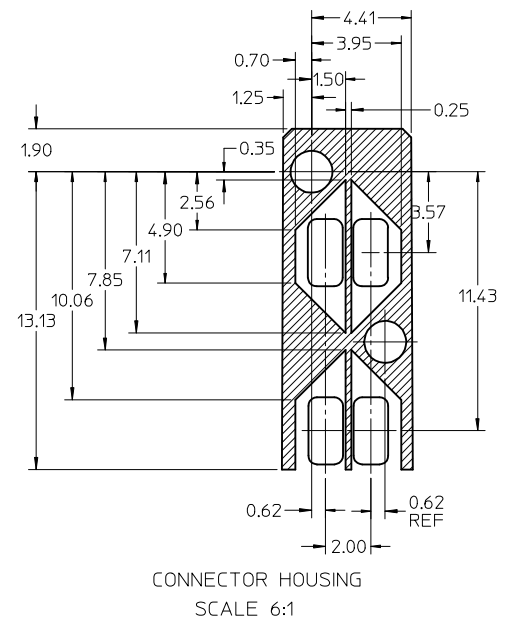
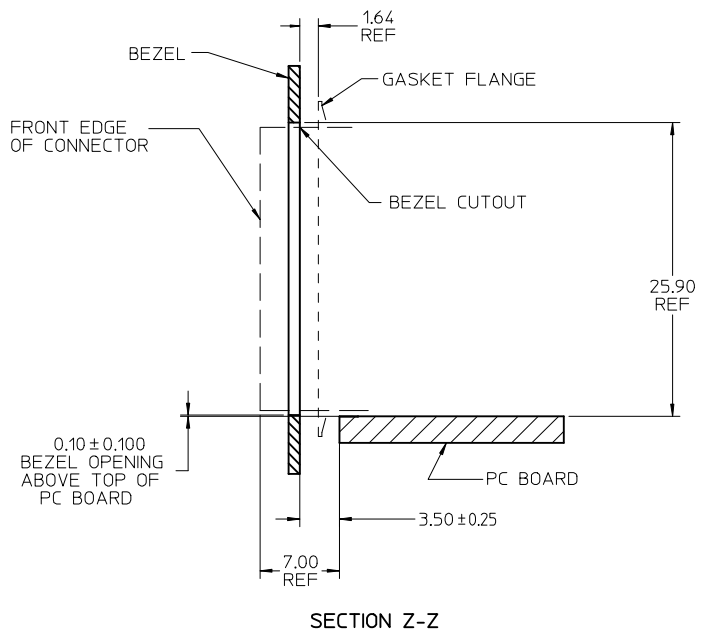
CONNECTOR PIN-OUT  
COMPONENT SIDE OF BOARD



<b>ADD KEEP OUT ZONES</b> EC NO: UCP2009-0978 DRW:BBARKER 2009/02/11 CHKD:BBARKER 2009/02/16 APPR:SMILLER 2009/02/16	QUALITY SYMBOLS ▽=0 ▽=0	GENERAL TOLERANCES (UNLESS SPECIFIED) <table border="1"> <thead> <tr> <th></th> <th>mm</th> <th>INCH</th> </tr> </thead> <tbody> <tr> <td>4 PLACES ±</td> <td>---</td> <td>±</td> </tr> <tr> <td>3 PLACES ±</td> <td>---</td> <td>±</td> </tr> <tr> <td>2 PLACES ±</td> <td>0.13</td> <td>±</td> </tr> <tr> <td>1 PLACE ±</td> <td>0.25</td> <td>±</td> </tr> </tbody> </table>		mm	INCH	4 PLACES ±	---	±	3 PLACES ±	---	±	2 PLACES ±	0.13	±	1 PLACE ±	0.25	±	DIMENSION STYLE <b>MM ONLY</b> DRAWN BY DATE JLONG 01-26-2007 CHECKED BY DATE MSANDBERG 01-26-2007 APPROVED BY DATE RNELSON 01-26-2007	SCALE <b>3:1</b> DESIGN UNITS <b>METRIC</b> THIRD ANGLE PROJECTION	TITLE <b>STACKED SFP+ 2X4 ASS'Y WITH ELASTOMERIC GASKET AND LIGHTPIPES</b>
		mm	INCH																	
	4 PLACES ±	---	±																	
	3 PLACES ±	---	±																	
2 PLACES ±	0.13	±																		
1 PLACE ±	0.25	±																		
MATERIAL NO. <b>SEE TABLE</b>	DOCUMENT NO. <b>SD-76092-001</b>	SHEET NO. <b>3 OF 4</b>	<b>MOLEX INCORPORATED</b>																	
DRAFT WHERE APPLICABLE MUST REMAIN WITHIN DIMENSIONS	SIZE <b>C</b>	THIS DRAWING CONTAINS INFORMATION THAT IS PROPRIETARY TO MOLEX INCORPORATED AND SHOULD NOT BE USED WITHOUT WRITTEN PERMISSION																		



BEZEL CUTOUT CENTER SPACING DETAIL  
BEZEL THICKNESS 0.8-2.6



<b>SEE SHEET 1</b> EC NO: UCP2009-0978 DRWN:BBARKER 2009/02/11 CHKD:BBARKER 2009/02/16 APPR:SMILLER 2009/02/16	QUALITY SYMBOLS ▽=0 ▽=0	GENERAL TOLERANCES (UNLESS SPECIFIED) <table border="1"> <tr> <th></th> <th>mm</th> <th>INCH</th> </tr> <tr> <td>4 PLACES</td> <td>± ---</td> <td>± ---</td> </tr> <tr> <td>3 PLACES</td> <td>± ---</td> <td>± ---</td> </tr> <tr> <td>2 PLACES</td> <td>± 0.13</td> <td>± ---</td> </tr> <tr> <td>1 PLACE</td> <td>± 0.25</td> <td>± ---</td> </tr> </table>		mm	INCH	4 PLACES	± ---	± ---	3 PLACES	± ---	± ---	2 PLACES	± 0.13	± ---	1 PLACE	± 0.25	± ---	DIMENSION STYLE <b>MM ONLY</b> DRAWN BY DATE JLONG 01-26-2007 CHECKED BY DATE MSANDBERG 01-26-2007 APPROVED BY DATE RNELSON 01-26-2007	SCALE <b>3:1</b> DESIGN UNITS <b>METRIC</b> THIRD ANGLE PROJECTION	TITLE <b>STACKED SFP+ 2X4 ASS'Y WITH ELASTOMERIC GASKET AND LIGHTPIPES</b> <b>MOLEX INCORPORATED</b> DOCUMENT NO. <b>SD-76092-001</b> SHEET NO. <b>4 OF 4</b>
		mm	INCH																	
	4 PLACES	± ---	± ---																	
	3 PLACES	± ---	± ---																	
2 PLACES	± 0.13	± ---																		
1 PLACE	± 0.25	± ---																		
DRAFT WHERE APPLICABLE MUST REMAIN WITHIN DIMENSIONS	MATERIAL NO. <b>SEE TABLE</b> SIZE <b>C</b>	THIS DRAWING CONTAINS INFORMATION THAT IS PROPRIETARY TO MOLEX INCORPORATED AND SHOULD NOT BE USED WITHOUT WRITTEN PERMISSION																		