

**PLEASE CHECK WWW.MOLEX.COM FOR LATEST PART INFORMATION**

**Part Number:** [0701070057](#)  
**Status:** **Active**  
**Overview:** [cgrid\\_sl\\_products](#)  
**Description:** 2.54mm (.100") Pitch SL™ Wire-to-Wire Panel Mount Crimp Housing, Single Row, Version B, With Mounting Ears, 23 Circuits

**Documents:**

[3D Model](#) [Product Specification PS-70400 \(PDF\)](#)  
[Drawing \(PDF\)](#) [RoHS Certificate of Compliance \(PDF\)](#)

**Agency Certification**

CSA	LR19980
TUV	R72081037
UL	E29179

**General**

Product Family	Crimp Housings
Series	<a href="#">70107</a>
Overview	<a href="#">cgrid_sl_products</a>
Product Name	SL™

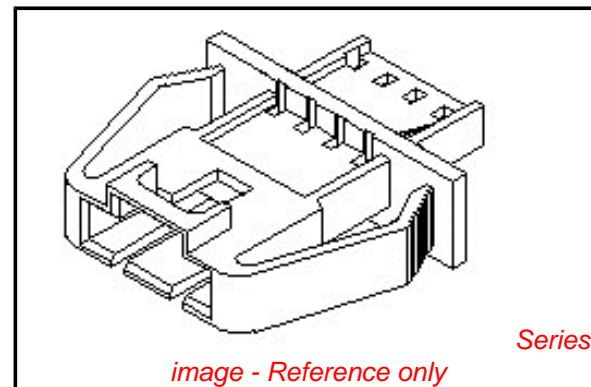
**Physical**

Circuits (maximum)	23
Color - Resin	Black
Flammability	94V-0
Gender	Male
Glow-Wire Compliant	No
Material - Resin	Polyester
Number of Rows	1
Packaging Type	Bag
Panel Mount	Yes
Pitch - Mating Interface (in)	0.100 In
Pitch - Mating Interface (mm)	2.54 mm
Temperature Range - Operating	-40°C to +120°C

**Material Info**

**Reference - Drawing Numbers**

Packaging Specification	PK-70107-100
Product Specification	PS-70400
Sales Drawing	SD-70107-0036-0059



**EU RoHS**

**ELV and RoHS Compliant**  
**REACH SVHC Contains SVHC: No**  
**Halogen-Free Status**  
**Not Reviewed**

**China RoHS**



**Need more information on product environmental compliance?**

Email [productcompliance@molex.com](mailto:productcompliance@molex.com)  
 For a multiple part number RoHS Certificate of Compliance, [click here](#)

Please visit the [Contact Us](#) section for any non-product compliance questions.

**Search Parts in this Series**

[70107Series](#)

**Mates With**

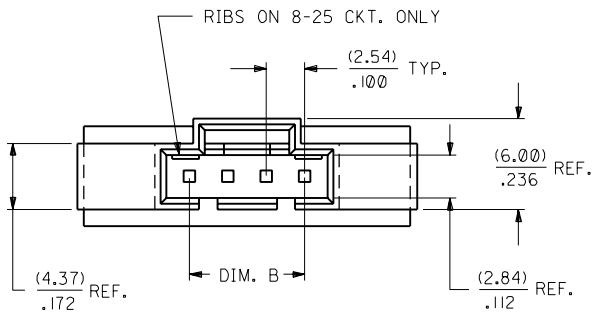
[70400G](#) ,, [70066g](#) Housing, [70430g](#) Receptacle

**Use With**

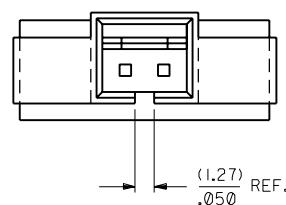
[70021](#)

NOTES:

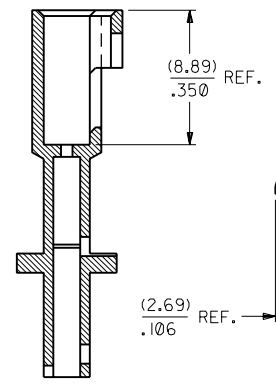
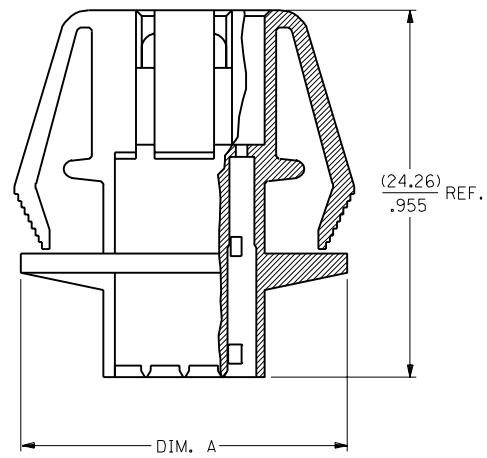
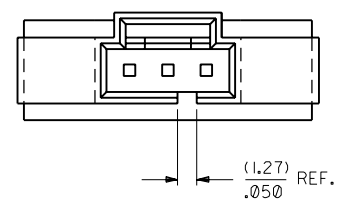
- 1) MATERIAL: POLYESTER, 94V-0  
COLOR: BLACK
- 2) HOUSING TO BE USED WITH TERMINAL  
PT. NO. 70021-\*\*\*\*
- 3) SEE CHART FOR CIRCUIT SIZES
- 4) TO BE USED WITH 70400 SERIES  
CONNECTORS (STYLE "G")
- 5) PANEL THICKNESS (0.81)/.032 - (2.36)/.093
- 6) SEE SHEET 3 FOR MOUNTING HOLE DIMENSIONS.
- 7) SEE SHEET 2 FOR OPTIONAL SKIRT AND  
SHROUD CONFIGURATIONS
- 8) PACKAGE PER PK-70107-100.



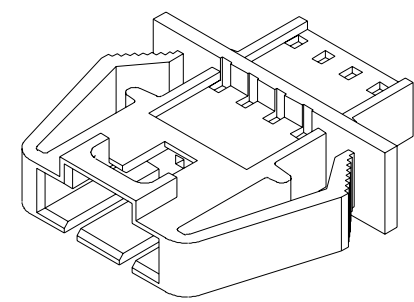
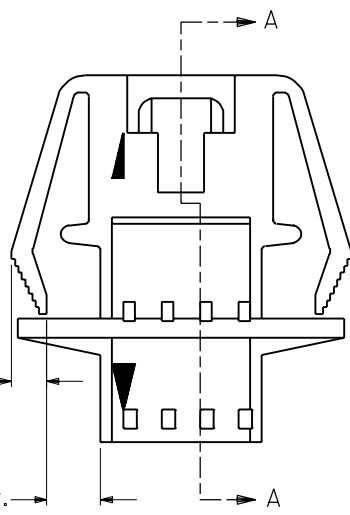
2 CIRCUIT



3 CIRCUIT



SECTION A-A (3.64) REF. / .144



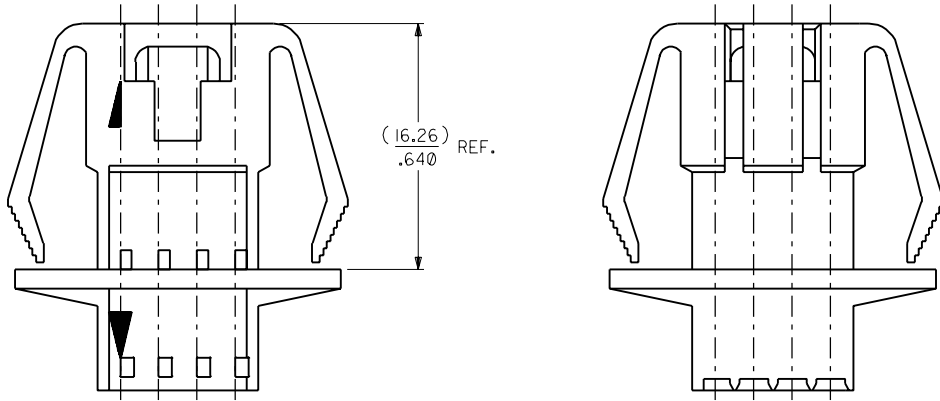
CKT. SIZE	EDP. NO.	ENG. NO.	A	B
2	701-07-0036	70107-0036	(16.51) .650	(2.54) .100
3	701-07-0037	70107-0037	(19.05) .750	(5.08) .200
4	701-07-0038	70107-0038	(21.59) .850	(7.62) .300
5	701-07-0039	70107-0039	(24.13) .950	(10.16) .400
6	701-07-0040	70107-0040	(26.67) 1.050	(12.70) .500
7	701-07-0041	70107-0041	(29.21) 1.150	(15.24) .600
8	701-07-0042	70107-0042	(31.75) 1.250	(17.78) .700
9	701-07-0043	70107-0043	(34.29) 1.350	(20.32) .800
10	701-07-0044	70107-0044	(36.83) 1.450	(22.86) .900
11	701-07-0045	70107-0045	(39.37) 1.550	(25.40) 1.000
12	701-07-0046	70107-0046	(41.91) 1.650	(27.94) 1.100
13	701-07-0047	70107-0047	(44.45) 1.750	(30.48) 1.200
14	701-07-0048	70107-0048	(46.99) 1.850	(33.02) 1.300
15	701-07-0049	70107-0049	(49.53) 1.950	(35.56) 1.400
16	701-07-0050	70107-0050	(52.07) 2.050	(38.10) 1.500
17	701-07-0051	70107-0051	(54.61) 2.150	(40.64) 1.600
18	701-07-0052	70107-0052	(57.15) 2.250	(43.18) 1.700
19	701-07-0053	70107-0053	(59.69) 2.350	(45.72) 1.800
20	701-07-0054	70107-0054	(62.23) 2.450	(48.26) 1.900
21	701-07-0055	70107-0055	(64.77) 2.550	(50.80) 2.000
22	701-07-0056	70107-0056	(67.31) 2.650	(53.34) 2.100
23	701-07-0057	70107-0057	(69.85) 2.750	(55.88) 2.200
24	701-07-0058	70107-0058	(72.39) 2.850	(58.42) 2.300
25	701-07-0059	70107-0059	(74.93) 2.950	(60.96) 2.400

3	G
2	J
1	J
MFG. SH. REV.	

DIMENSIONS SHOWN (METRIC) INCH UNLESS OTHERWISE SPECIFIED TOLERANCES: ANGULAR ± 1/2°		□ = 0    ▽ = 0    REVISE ONLY ON CAD SYSTEM	
5 PLACE ± .010    --- 2 PLACE ± .014 ± 0.25 1 PLACE --- ± 0.35		TITLE HOUSING, CONNECTOR (2.54)/.100 GRID	
DRAFT WHERE APPLICABLE MUST REMAIN WITHIN DIMENSIONS		MOLEX INCORPORATED    SHEET NO.    DATE LISLE, ILL.    60532    U.S.A.    1 OF 3    7 / 4/86	
DRWG. NO. SD-70107-0036-0059		FILE NAME    DIV. S70107X02    100	
DRWG. BY: RS    CHK'D. BY: MJM APP'D. BY: WAZ    SCALE: 4:1		THIS DRAWING CONTAINS INFORMATION THAT IS PROPRIETARY TO MOLEX INC. AND SHOULD NOT BE USED WITHOUT WRITTEN PERMISSION.	
LTR.	REVISIONS	LTR.	REVISIONS

3	G
2	J
1	J
MFG. SH. REV.	

13 12 11 10 9 8 7 6 70107 4 3 2 1



OPTIONAL CONFIGURATIONS FOR INTERNATIONAL MOLD

70107

J  
I  
H  
G  
F  
E  
D  
C  
B  
A

J  
I  
H  
G  
F  
D  
C  
B  
A

MFG. SH. REV.

REVISE ONLY ON CAD SYSTEM

TITLE  
HOUSING, CONNECTOR  
(2.54)/.100 GRID

MOLEX INCORPORATED  
L15LE.I1LL. 60532 U.S.A.

SHEET NO. 2 DATE 7 / 4 / 86

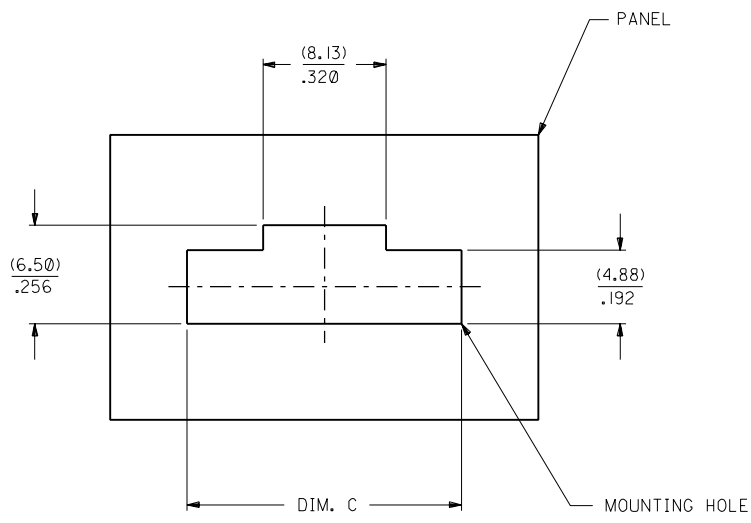
PART NO. SD-70107-0036-0059

FILE NAME S70107X06 DGN THIS DRAWING CONTAINS INFORMATION THAT IS PROPRIETARY TO MOLEX INC. AND SHOULD NOT BE USED WITHOUT WRITTEN PERMISSION. DIV. DA SIZE C

DIMENSIONS SHOWN (METRIC) INCH	
UNLESS OTHERWISE SPECIFIED TOLERANCES: ANGULAR ± 1/2°	
3 PLACE ± .010	---
2 PLACE ± .014	± 0.25
1 PLACE ---	± 0.35
DRAFT WHERE APPLICABLE MUST REMAIN WITHIN DIMENSIONS	
DRWG. BY RS	CHK'D. BY MJM
APP'D. BY WAZ	SCALE 4:1

		G	SEE SHEET I
LTR.	REVISIONS	LTR.	REVISIONS

13 12 11 10 9 8 7 6 5 4 3 2 1



RECOMMENDED MOUNTING HOLE LAYOUT

CKT. SIZE	EDP. NO.	ENG. NO.	C
2	701-07-0036	70107-0036	(13.08) / .515
3	701-07-0037	70107-0037	(15.62) / .615
4	701-07-0038	70107-0038	(18.61) / .715
5	701-07-0039	70107-0039	(20.70) / .815
6	701-07-0040	70107-0040	(23.24) / .915
7	701-07-0041	70107-0041	(25.78) / 1.015
8	701-07-0042	70107-0042	(28.32) / 1.115
9	701-07-0043	70107-0043	(30.86) / 1.215
10	701-07-0044	70107-0044	(33.40) / 1.315
11	701-07-0045	70107-0045	(35.94) / 1.415
12	701-07-0046	70107-0046	(38.48) / 1.515
13	701-07-0047	70107-0047	(41.02) / 1.615
14	701-07-0048	70107-0048	(43.56) / 1.715
15	701-07-0049	70107-0049	(46.10) / 1.815
16	701-07-0050	70107-0050	(48.64) / 1.915
17	701-07-0051	70107-0051	(51.18) / 2.015
18	701-07-0052	70107-0052	(53.72) / 2.115
19	701-07-0053	70107-0053	(56.26) / 2.215
20	701-07-0054	70107-0054	(58.80) / 2.315
21	701-07-0055	70107-0055	(61.34) / 2.415
22	701-07-0056	70107-0056	(63.88) / 2.515
23	701-07-0057	70107-0057	(66.42) / 2.615
24	701-07-0058	70107-0058	(68.96) / 2.715
25	701-07-0059	70107-0059	(71.50) / 2.815

70107

MFG. SH. REV.

REVISE ONLY ON CAD SYSTEM

TITLE: HOUSING, CONNECTOR (2.54)/.100 GRID

MOLEX INCORPORATED SHEET NO. 3 DATE 7 / 5 / 86  
 LISLE, ILL. 60532 U.S.A.

PART NO. SD-70107-0036-0059

FILE NAME: S70107X03.DWG DIV. DA I C  
 THIS DRAWING CONTAINS INFORMATION THAT IS PROPRIETARY TO MOLEX INC. AND SHOULD NOT BE USED WITHOUT WRITTEN PERMISSION.

DIMENSIONS SHOWN (METRIC) INCH  
 UNLESS OTHERWISE SPECIFIED TOLERANCES: ANGULAR ± 1/2°

	INCH	METRIC
3 PLACE	± .005	---
2 PLACE	± .01	± 0.13
1 PLACE	---	± 0.25

DRAFT WHERE APPLICABLE MUST REMAIN WITHIN DIMENSIONS

DRWG. BY: RS CHK'D. BY: MJM  
 APP'D. BY: WAZ SCALE: 4:1

LTR.	REVISIONS	LTR.	REVISIONS
		G	SEE SHEET I