

PLEASE CHECK WWW.MOLEX.COM FOR LATEST PART INFORMATION

Part Number: [0554012619](#)
Status: **Contact Molex**
Overview: [qf50](#)
Description: 2.54mm (.100") Pitch QF-50™ Flat Ribbon Cable Header, Dual Row, Vertical, Shrouded Header with Eject Levers, 26 Circuits, Lead-free

Documents:

[3D Model](#) [Product Specification PS-54559-005 \(PDF\)](#)
[Drawing \(PDF\)](#) [RoHS Certificate of Compliance \(PDF\)](#)

General

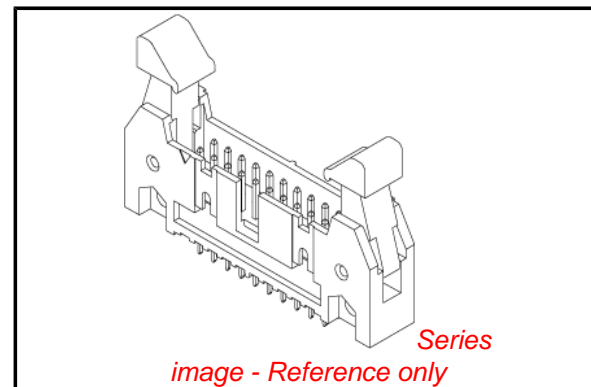
| | |
|----------------|-----------------------|
| Product Family | PCB Headers |
| Series | 55401 |
| Application | Wire-to-Board |
| Overview | qf50 |
| Product Name | QF-50™ |

Physical

| | |
|--------------------------------|----------------|
| Breakaway | No |
| Circuits (Loaded) | 26 |
| Circuits (maximum) | 26 |
| Color - Resin | Black |
| Durability (mating cycles max) | 500 |
| First Mate / Last Break | No |
| Glow-Wire Compliant | No |
| Guide to Mating Part | No |
| Keying to Mating Part | None |
| Lock to Mating Part | Yes |
| Material - Metal | Brass |
| Material - Plating Mating | Gold |
| Material - Plating Termination | Tin |
| Material - Resin | Polyester |
| Number of Rows | 2 |
| Orientation | Vertical |
| PCB Locator | No |
| PCB Retention | Yes |
| PCB Thickness Recommended (in) | 0.062 In |
| PCB Thickness Recommended (mm) | 1.60 mm |
| Packaging Type | Tray |
| Pitch - Mating Interface (in) | 0.100 In |
| Pitch - Mating Interface (mm) | 2.54 mm |
| Plating min: Mating (µin) | 12 |
| Plating min: Mating (µm) | 0.3 |
| Plating min: Termination (µin) | 101.6 |
| Plating min: Termination (µm) | 2.54 |
| Polarized to Mating Part | Yes |
| Shrouded | Fully |
| Stackable | No |
| Surface Mount Compatible (SMC) | No |
| Temperature Range - Operating | -40°C to +85°C |
| Termination Interface: Style | Through Hole |

Electrical

| | |
|-------------------------------|------|
| Current - Maximum per Contact | 1A |
| Voltage - Maximum | 300V |



EU RoHS

**ELV and RoHS
Compliant**

REACH SVHC

Not Reviewed

Halogen-Free

Status

Not Halogen-Free

**Need more information on product
environmental compliance?**

Email productcompliance@molex.com
 For a multiple part number RoHS Certificate of Compliance, [click here](#)

Please visit the [Contact Us](#) section for any non-product compliance questions.

China RoHS



Search Parts in this Series

[55401Series](#)

Mates With

[54559](#) QF-50™ Flat Cable Receptacle Housing

Material Info

Reference - Drawing Numbers

Product Specification

Sales Drawing

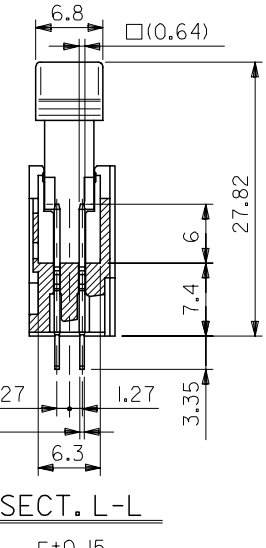
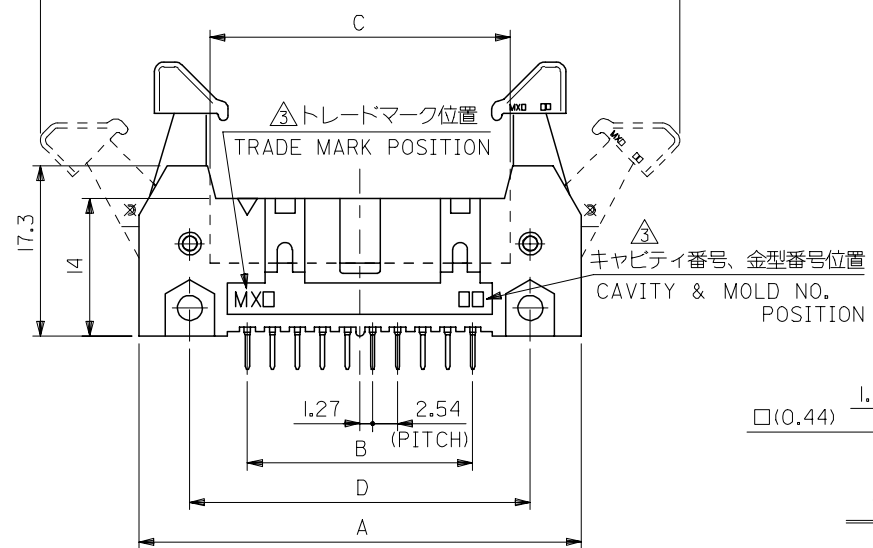
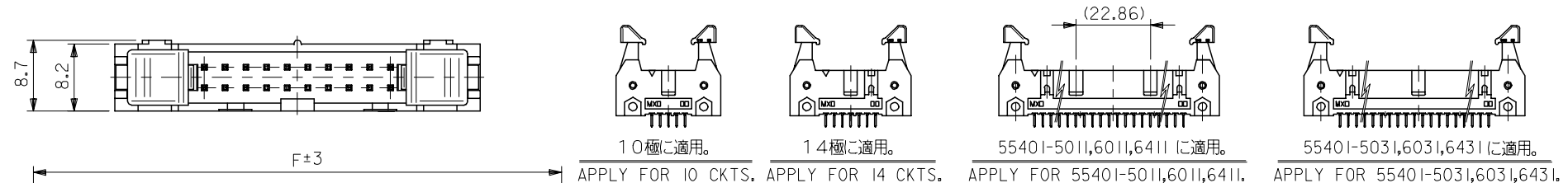
PS-54559-005, RPS-54559-017

SD-55401-004

This document was generated on 06/02/2010

PLEASE CHECK WWW.MOLEX.COM FOR LATEST PART INFORMATION

10 9 8 7 6 5 4 3 2 1



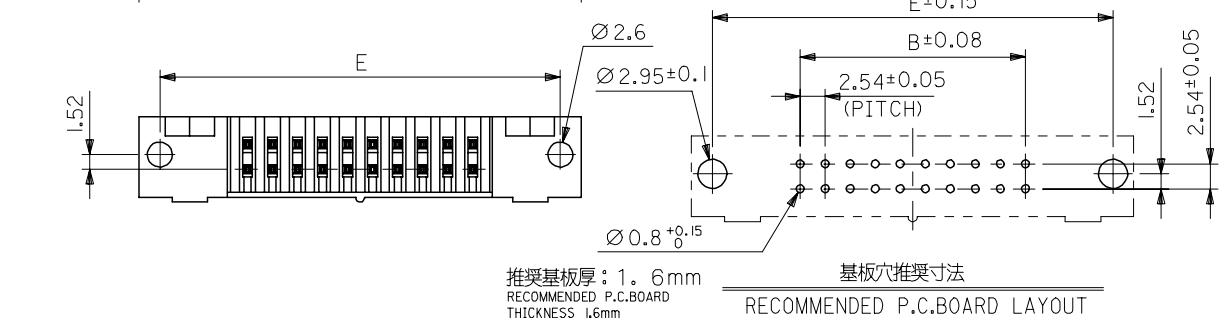
注記 NOTES

1. 材料 ハウジング : PBT (UL94V-0), 黒色
 レバー : PBT (UL94V-0), 黒色
 ターミナル : リン青銅 (ニッケル下地 錫・金メッキ)
 MATERIAL HOUSING : PBT, UL94V-0, BLACK
 TERMINAL: PHOS.BRO. (Au, Sn PLATING, NI UNDER-PLATING)

2. 嵌合相手 : 54559-***1, 54559-**21 (50極以上は除く) は55401-***19に適用。
 54559-5021,6021,6421,**41は55401-***39に適用。
 MATE WITH : 54559-***11, 54559-**21 (EXCLUDES MORE THAN 50 CKT.)
 SUITS 55401-***19.
 54559-5021,6021,6421,**41 SUITS 55401-***39.

△ トレードマーク : MXプラス1文字の製造工場を示すアルファベットにて構成
 但し、"J"はJAPANを示す。(例 MX J)
 キャビティ番号 : 1桁の数字で表示
 金型番号 : アルファベット1文字にて構成。
 FORMED BY MX AND I MORE LETTER OF ALPHABET WHICH MEAN THE MANUFACTORY, BUT "J" MEANS JAPAN. (TO TRADE MARK)
 (e.g. MXJ)
 AND BY I DIGIT NUMBER (TO CAVITY NO.)
 AND BY I LETTER OF ALPHABET (TO MOLD NO.)

| | | | | | | | |
|--------|-------|-------|-------|-------|--------|-------------------|----|
| 120.31 | 96.52 | 90.42 | 86.34 | 78.74 | 100.74 | 55401-6439 | 64 |
| | | | | | | 55401-6419 | |
| 115.23 | 91.44 | 85.34 | 81.26 | 73.66 | 95.66 | 55401-6039 | 60 |
| | | | | | | 55401-6019 | |
| 102.53 | 78.74 | 72.64 | 68.56 | 60.96 | 82.96 | 55401-5039 | 50 |
| | | | | | | 55401-5019 | |
| 89.83 | 66.04 | 59.94 | 55.86 | 48.26 | 70.26 | 55401-4019 | 40 |
| 82.21 | 58.42 | 52.32 | 48.24 | 40.64 | 62.64 | 55401-3419 | 34 |
| 77.13 | 53.34 | 47.24 | 43.16 | 35.56 | 57.56 | 55401-3019 | 30 |
| 72.05 | 48.26 | 42.16 | 38.08 | 30.48 | 52.48 | 55401-2619 | 26 |
| 64.43 | 40.64 | 34.54 | 30.46 | 22.86 | 44.86 | 55401-2019 | 20 |
| 59.35 | 35.56 | 29.46 | 25.38 | 17.78 | 39.78 | 55401-1619 | 16 |
| 56.81 | 33.02 | 26.92 | 22.84 | 15.24 | 37.24 | 55401-1419 | 14 |
| 51.73 | 27.94 | 21.84 | 17.76 | 10.16 | 32.16 | 55401-1019 | 10 |
| F | E | D | C | B | A | MATERIAL NO. CKT. | |



注記 NOTES

4. 本製品は 55401-***1 の鉛フリー品である。
 THIS PRODUCT IS LEAD FREE OF 55401-***1.

| | |
|-------------------|-----------|
| 材料 MATERIAL | SEE NOTES |
| 仕上げ FINISH | SEE NOTES |
| 適用電線範囲 WIRE RANGE | — |
| 被覆外径 INS. RANGE | — |

| | | | | | | | | |
|---|--|---------------------------|------------------------------|---------------------|---|------------------------|-------------------------|------------------------|
| RELEASED EC NO: J2005-0827 DRAWN: MNABE1 CHKD: KTOJO APPR: NUKITA 2004/09/17 2004/09/17 2004/09/27 | GENERAL TOLERANCES (UNLESS SPECIFIED) | | DIMENSION STYLE MM ONLY | | SCALE 2:1 | DESIGN UNITS METRIC | MODEL NO. 55401-***9 | THIRD ANGLE PROJECTION |
| | 10 UNDER | ±0.2 | DRAWN BY MNABE1 | DATE '04/09/16 | TITLE 2.54 FLAT CABLE CONN HEADER ASSY -LEAD FREE- | | | |
| | 10 OVER 30 UNDER | ±0.25 | CHECKED BY KTOJO | DATE '04/09/16 | | | | |
| | 30 OVER | ±0.3 | APPROVED BY NUKITA | DATE '04/09/16 | MOLEX INCORPORATED | | | |
| ANGULAR | ±3 ° | MATERIAL NO. SEE CHART | DOCUMENT NO. SD-55401-004 | SHEET NO. 1 OF 1 | | | | |
| 0 | DRAFT WHERE APPLICABLE MUST REMAIN WITHIN DIMENSIONS | | SIZE A3 | | THIS DRAWING CONTAINS INFORMATION THAT IS PROPRIETARY TO MOLEX INCORPORATED AND SHOULD NOT BE USED WITHOUT WRITTEN PERMISSION | | | |