

PLEASE CHECK WWW.MOLEX.COM FOR LATEST PART INFORMATION

Part Number: [0543630589](#)
Status: **Active**
Description: 0.50mm (.020") Pitch SlimStack™ Receptacle, Surface Mount, Dual Row, Vertical, 2.00 and 3.00mm (.079 and .118") Stacking Heights, with Solder Tabs, 50 Circuits, Lead-free

Documents:

[3D Model](#) [Product Specification PS-54363-046 \(PDF\)](#)
[Drawing \(PDF\)](#) [RoHS Certificate of Compliance \(PDF\)](#)

General

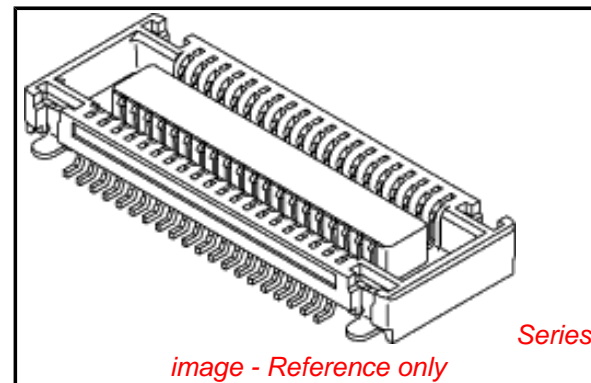
Product Family PCB Receptacles
 Series [54363](#)
 Application Board-to-Board
 Product Name SlimStack™

Physical

Circuits (Loaded) 50
 Circuits (maximum) 50
 Color - Resin Black
 Durability (mating cycles max) 30
 Glow-Wire Compliant No
 Mated Height (in) 0.079 In
 Mated Height (mm) 2.00 mm
 Material - Metal Phosphor Bronze
 Material - Plating Mating Gold
 Material - Plating Termination Gold
 Material - Resin High Temperature Thermoplastic
 Number of Rows 2
 Orientation Vertical
 PC Tail Length (in) 0.000 In
 PC Tail Length (mm) 0.00 mm
 PCB Locator No
 PCB Retention Yes
 PCB Thickness Recommended (in) 0.000 In
 PCB Thickness Recommended (mm) 0.00 mm
 Packaging Type Embossed Tape on Reel
 Pitch - Mating Interface (in) 0.020 In
 Pitch - Mating Interface (mm) 0.50 mm
 Pitch - Term. Interface (in) 0.020 In
 Pitch - Term. Interface (mm) 0.50 mm
 Plating min: Mating (µin) 10
 Plating min: Mating (µm) 0.25
 Plating min: Termination (µin) 2
 Plating min: Termination (µm) 0.05
 Polarized to Mating Part No
 Polarized to PCB No
 Stackable No
 Surface Mount Compatible (SMC) Yes
 Temperature Range - Operating -25°C to +85°C
 Termination Interface: Style Surface Mount

Electrical

Current - Maximum per Contact 0.5A
 Voltage - Maximum 50V AC (RMS)/DC



EU RoHS

ELV and RoHS Compliant
REACH SVHC
 Not Reviewed
Halogen-Free Status
 Not Reviewed

China RoHS



Need more information on product environmental compliance?

Email productcompliance@molex.com
 For a multiple part number RoHS Certificate of Compliance, [click here](#)

Please visit the [Contact Us](#) section for any non-product compliance questions.

Search Parts in this Series

[54363Series](#)

Mates With

[55650 PCB Header](#)

Material Info

Reference - Drawing Numbers

Product Specification

Sales Drawing

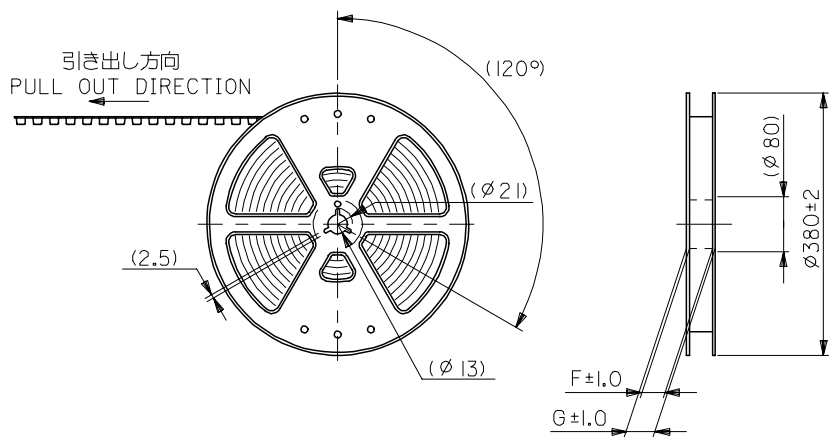
PS-54363-046

SD-54363-049, SD-54363-050

This document was generated on 04/16/2010

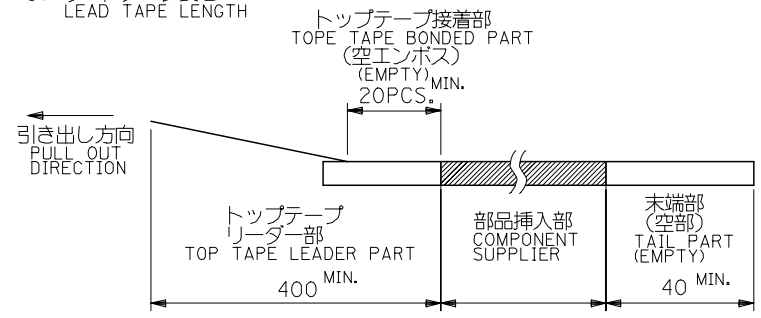
PLEASE CHECK WWW.MOLEX.COM FOR LATEST PART INFORMATION

10 9 8 7 6 5 4 3 2 1



注)
NOTES

- 製品番号 54363-**81 詳細寸法については、製品単体図面を参照下さい。
IN THE PACKAGE PART NUMBER 54363-**81 DETAILED DIMENSIONS, SEE SALES DRAWING FOR CONNECTOR.
- 梱包数量：2500個/リール
NUMBER OF CONNECTORS:2500 PCS/REEL.
- リードテープ長さ
LEAD TAPE LENGTH



- 材料
MATERIAL
キャリアテープ：ポリプロピレン (PP)
CARRIER TAPE:POLYPROPYLENE(PP)
トップテープ：PET, PE, PE F
TOP TAPE:PET,PE,PEF
リール：ポリスチレン
REEL:POLYSTYRENE

| | | | | | | | | | | |
|------|------|-------------------------------------|------|------|------|-------|------------|----------------------|----------------|-------------------|
| 61.4 | 57.4 | 56±0.3 | 52.4 | 44.2 | 26.2 | 40.55 | 54363-1689 | 160 | — | |
| | | | | 39.2 | | 35.55 | 54363-1489 | 140 | ○ | |
| 49.4 | 45.4 | 44±0.3 | 40.4 | 31.7 | 20.2 | 28.05 | 54363-1189 | 110 | ○ | |
| | | | | 29.2 | | 25.55 | 54363-1089 | 100 | ○ | |
| | | | | 26.7 | | 23.05 | 54363-0989 | 90 | — | |
| 37.4 | 33.4 | 32±0.3 | 28.4 | 24.2 | 14.2 | 20.55 | 54363-0889 | 80 | ○ | |
| | | | | 21.7 | | 18.05 | 54363-0789 | 70 | ○ | |
| | | | | 19.2 | | 15.55 | 54363-0689 | 60 | ○ | |
| 29.4 | 25.4 | 24±0.3 | — | 16.7 | 11.5 | 13.05 | 54363-0589 | 50 | ○ | |
| | | | | 14.2 | | 10.55 | 54363-0489 | 40 | ○ | |
| | | | | 11.7 | | 8.05 | 54363-0389 | 30 | ○ | |
| 21.4 | 17.4 | 16±0.3 | — | 9.2 | 7.5 | 5.55 | 54363-0289 | 20 | ○ | |
| G | F | E キャリアテープ幅 CARRIER TAPE WIDTH | | D | (C) | (B) | (A) | 製品番号 MATERIAL NO. | 極数 CIRCUITS | 量産対応 AVAILABLE |

| | | | | | | | | |
|---|--|-----------|----------------------------|--------------------|---|------------------------|---------------------------|--|
| REVISED EC NO: J2007-1632 DRWN: NABEI 2006/12/05 CHKDK: TOYODA 2006/12/06 APPR: NUKITA 2006/12/07 | GENERAL TOLERANCES (UNLESS SPECIFIED) | | DIMENSION STYLE MM ONLY | | SCALE --- | DESIGN UNITS METRIC | THIRD ANGLE PROJECTION | |
| | 10 UNDER | ±0.2 | DRAWN BY Y. AOYAGI | DATE 2006/11/08 | TITLE EMBOSSD TAPE PACKAGE FOR 54363-**81 | | | |
| | 10 OVER 30 UNDER | ±0.25 | CHECKED BY K. TOYODA | DATE 2006/11/08 | MOLEX INCORPORATED | | | |
| | 30 OVER | ±0.3 | APPROVED BY N. UKITA | DATE 2006/11/08 | | | | |
| | ANGULAR | ±3 ° | MATERIAL NO. | | DOCUMENT NO. | SHEET NO. | | |
| DRAFT WHERE APPLICABLE MUST REMAIN WITHIN DIMENSIONS | | SEE CHART | | SD-54363-049 | | 1 OF 2 | | |
| THIS DRAWING CONTAINS INFORMATION THAT IS PROPRIETARY TO MOLEX INCORPORATED AND SHOULD NOT BE USED WITHOUT WRITTEN PERMISSION | | | | | | | | |

10 9 8 7 6 5 4 3 2 1

F

E

D

C

B

A

F

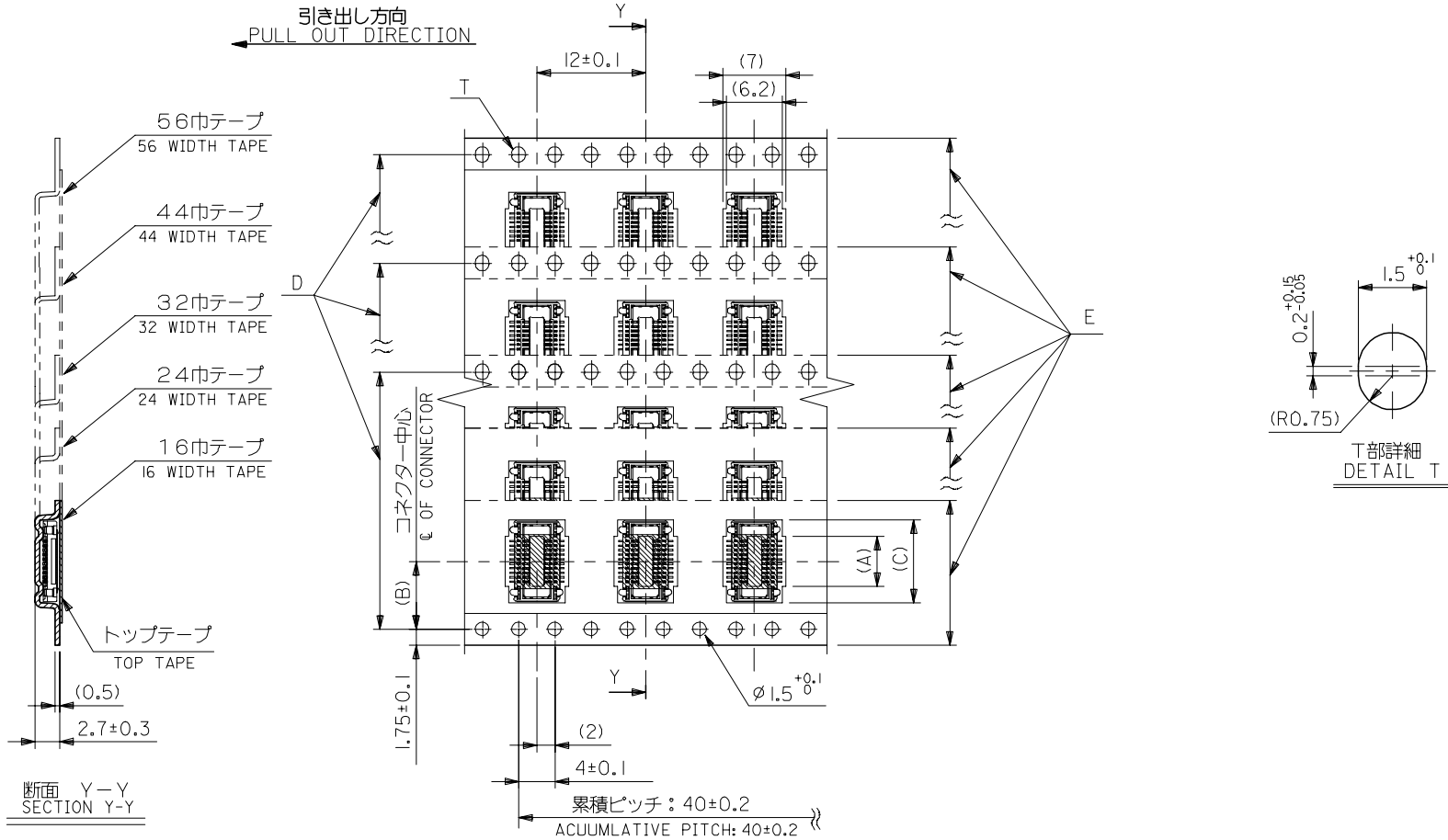
E

D

C

B

A



| | | | | | | | | |
|--|---------------------------------------|------------|--|--------------------|---|------------------------|---------------------------|--|
| REVISED EC NO: J2007-1632 DRW: MABEI 2006/12/05 CHK: K. TOYODA 2006/12/06 APPR: NUKITA 2006/12/07 REV A | GENERAL TOLERANCES (UNLESS SPECIFIED) | | DIMENSION STYLE MM ONLY | | SCALE --- | DESIGN UNITS METRIC | THIRD ANGLE PROJECTION | |
| | 10 UNDER | ±0.2 | DRAWN BY Y. AOYAGI | DATE 2006/11/08 | TITLE EMBOSSD TAPE PACKAGE FOR 54363-**81 | | | |
| | 10 ⁰ OVER 30 UNDER | ±0.25 | CHECKED BY K. TOYODA | DATE 2006/11/08 | MOLEX INCORPORATED DOCUMENT NO. SD-54363-049 SHEET NO. 2 OF 2 | | | |
| | 30 ⁰ OVER | ±0.3 | APPROVED BY N. UKITA | DATE 2006/11/08 | | | | |
| | ANGULAR | ±3 ° | MATERIAL NO. | | SEE SHEET 1 | | | |
| DRAFT WHERE APPLICABLE MUST REMAIN WITHIN DIMENSIONS | | SIZE A3 | THIS DRAWING CONTAINS INFORMATION THAT IS PROPRIETARY TO MOLEX INCORPORATED AND SHOULD NOT BE USED WITHOUT WRITTEN PERMISSION | | | | | |

9

8

7

6

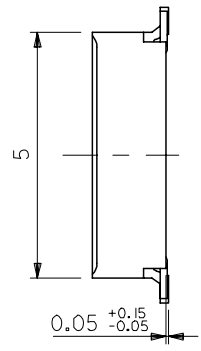
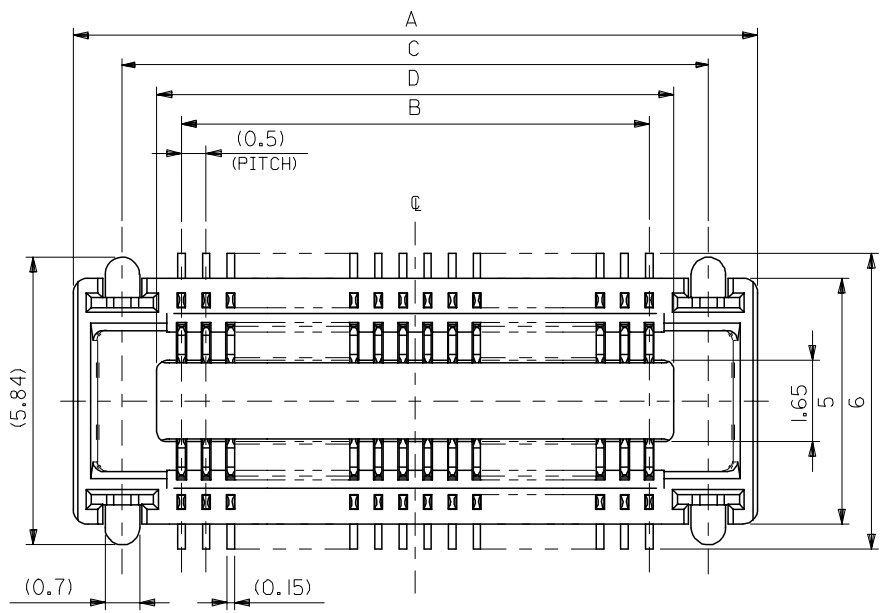
5

4

3

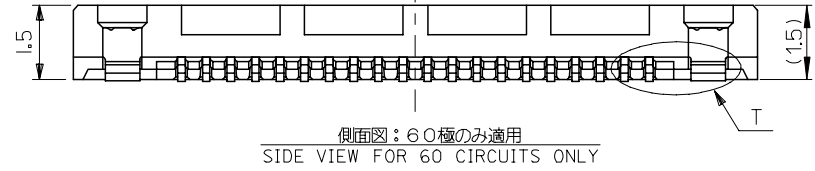
2

10 9 8 7 6 5 4 3 2 1



注記
NOTES:

1. 材質
MATERIAL
ハウジング: LCP (液晶ポリマー)、ガラス充填、黒色、UL94V-0
HOUSING: LCP LIQUID CRYSTAL POLYMER, GLASS FILLED, BLACK, UL94V-0
ターミナル: 銅合金 (t=0.15)
TERMINAL: COPPER ALLOY (t=0.15)
ネイル: 銅合金 (t=0.2)
NAIL: COPPER ALLOY (t=0.2)
2. メッキ仕様
PLATING
ターミナル
TERMINAL
接点部: 金メッキ 0.25マイクロメートル以上
CONTACT AREA: GOLD 0.25 MICROMETER MINIMUM
半田付け部: 金メッキ 0.4マイクロメートル以上
SOLDER TAIL AREA: GOLD 0.4 MICROMETER MAXIMUM
下地メッキ: ニッケルメッキ 1.5マイクロメートル以上
UNDER PLATING: NICKEL 1.5 MICROMETER MINIMUM
ネイル
NAIL
錫メッキ 3.0マイクロメートル以上
TIN 3.0 MICROMETER MINIMUM
下地メッキ: ニッケルメッキ 1.0マイクロメートル以上
UNDER PLATING: NICKEL 1.0 MICROMETER MINIMUM
3. テール平坦度は、0.08ミリメートル以下。テールとネイルを併せた平坦度は、0.1ミリメートル以下。
TAIL COPLANARITY TO BE 0.08 MAXIMUM. TAILS AND NAILS COPLANARITY TO BE 0.1 MAXIMUM.
4. 嵌合相手: 55201-****, 55650-**** (H=2mm)
MATED CONN.: 55201-****, 55650-**** (H=2mm)
5. 本製品は、54363-xx71(エンボス梱包品 54363-xx78)のニッケルバリア品である。
THIS PRODUCT IS 'NICKEL BARRIER' OF 54363-xx71(EMBOSSED TAPE PKG 54363-xx78).



| | | | | | | | |
|------|------|------|------|------------------------------------|----------------------|----------------|-------------------|
| 40.5 | 41.9 | 39.5 | 43.9 | 54363-1689 | 54363-1681 | 160 | — |
| 35.5 | 36.9 | 34.5 | 38.9 | 54363-1489 | 54363-1481 | 140 | ○ |
| 30.5 | 31.9 | 29.5 | 33.9 | 54363-1289 | 54363-1281 | 120 | ○ |
| 28 | 29.4 | 27 | 31.4 | 54363-1189 | 54363-1181 | 110 | ○ |
| 25.5 | 26.9 | 24.5 | 28.9 | 54363-1089 | 54363-1081 | 100 | ○ |
| 23 | 24.4 | 22 | 26.4 | 54363-0989 | 54363-0981 | 90 | — |
| 20.5 | 21.9 | 19.5 | 23.9 | 54363-0889 | 54363-0881 | 80 | ○ |
| 18 | 19.4 | 17 | 21.4 | 54363-0789 | 54363-0781 | 70 | ○ |
| 15.5 | 16.9 | 14.5 | 18.9 | 54363-0689 | 54363-0681 | 60 | ○ |
| 13 | 14.4 | 12 | 16.4 | 54363-0589 | 54363-0581 | 50 | ○ |
| 10.5 | 11.9 | 9.5 | 13.9 | 54363-0489 | 54363-0481 | 40 | ○ |
| 8 | 9.4 | 7 | 11.4 | 54363-0389 | 54363-0381 | 30 | ○ |
| 5.5 | 6.9 | 4.5 | 8.9 | 54363-0289 | 54363-0281 | 20 | ○ |
| D | C | B | A | エンボス梱包品 EMBOSSED TAPE PACKAGING | 製品番号 MATERIAL NO. | 極数 CIRCUITS | 量産対応 AVAILABLE |

| | | | | | | | |
|--|---------------------------------------|---|----------------------------|------------------------------|---|------------------------|------------------------|
| REVISED EC NO: J2008-1106 DRWN: AOYAGI CHKD: TOYODA APPR: NUKITA | GENERAL TOLERANCES (UNLESS SPECIFIED) | | DIMENSION STYLE MM ONLY | | SCALE 10:1 | DESIGN UNITS METRIC | THIRD ANGLE PROJECTION |
| | 10 UNDER | ±0.2 | DRAWN BY Y. AOYAGI | DATE 2006/11/08 | TITLE 0.5 MM PITCH B/B CONN. WITH FITTING NAIL -LEAD FREE- | | |
| | 10 OVER 30 UNDER | ±0.25 | CHECKED BY K. TOYODA | DATE 2006/11/08 | | | |
| | 30 OVER | ±0.3 | APPROVED BY N. UKITA | DATE 2006/11/08 | MOLEX INCORPORATED | | |
| ANGULAR | ±3 ° | MATERIAL NO. SEE CHART | | DOCUMENT NO. SD-54363-050 | SHEET NO. 1 OF 2 | | |
| DRAFT WHERE APPLICABLE MUST REMAIN WITHIN DIMENSIONS | | THIS DRAWING CONTAINS INFORMATION THAT IS PROPRIETARY TO MOLEX INCORPORATED AND SHOULD NOT BE USED WITHOUT WRITTEN PERMISSION | | | | | |

10 9 8 7 6 5 4 3 2 1

F

E

D

C

B

A

F

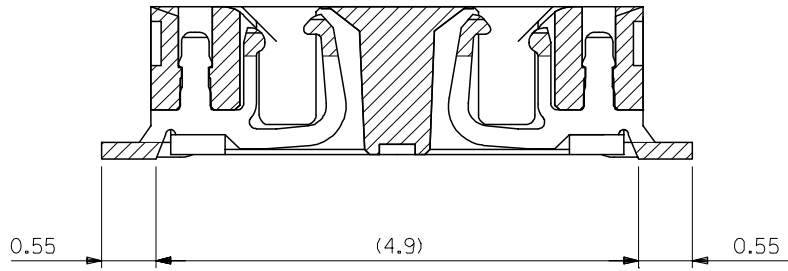
E

D

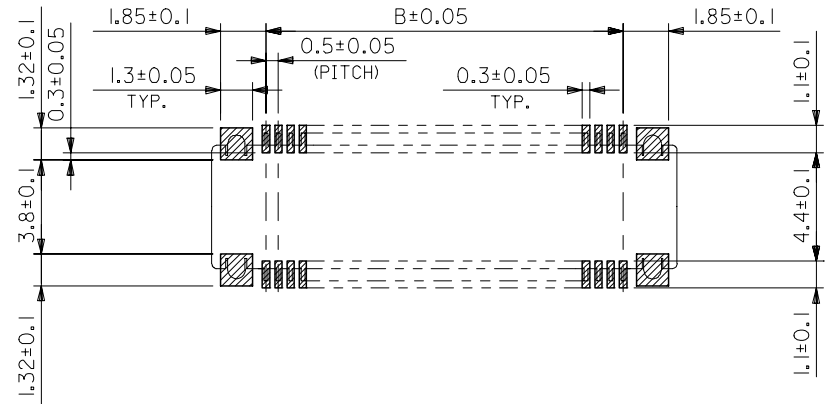
C

B

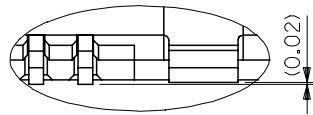
A



半田付け部詳細図
DETAIL FOR SOLDERING AREA



推奨基板寸法
RECOMMENDED PCB PATTERN LAYOUT
(SCALE 5:1)



T部詳細
DETAIL T

| | | | | | | | | |
|--|---------------------------------------|------------|----------------------------|---|--------------------|---|------------------------|--|
| REVISED EC NO: J2008-1106 DRWN: A0YAGI 2007/10/04 CHKD: KTOYODA 2007/10/05 APPR: NUKITA 2007/10/05 | GENERAL TOLERANCES (UNLESS SPECIFIED) | | DIMENSION STYLE MM ONLY | | SCALE 10:1 | DESIGN UNITS METRIC | THIRD ANGLE PROJECTION | |
| | 10 UNDER | ±0.2 | DRAWN BY Y. A0YAGI | | DATE 2006/11/08 | TITLE 0.5 MM PITCH B/B CONN. WITH FITTING NAIL -LEAD FREE- | | |
| | 10 OVER 30 UNDER | ±0.25 | CHECKED BY K. TOYODA | | DATE 2006/11/08 | | | |
| | 30 OVER | ±0.3 | APPROVED BY N. UKITA | | DATE 2006/11/08 | MOLEX INCORPORATED DOCUMENT NO. SD-54363-050 SHEET NO. 2 OF 2 | | |
| | ANGULAR | ±3 ° | MATERIAL NO. | | SEE SHEET 1 | | | |
| DRAFT WHERE APPLICABLE MUST REMAIN WITHIN DIMENSIONS | | SIZE A3 | | THIS DRAWING CONTAINS INFORMATION THAT IS PROPRIETARY TO MOLEX INCORPORATED AND SHOULD NOT BE USED WITHOUT WRITTEN PERMISSION | | | | |

9

8

7

6

5

4

3

2