

PLEASE CHECK WWW.MOLEX.COM FOR LATEST PART INFORMATION

Part Number: [0510041300](#)
Status: **Active**
Overview: [microblade](#)
Description: 2.00mm (.079") Pitch MicroBlade™ Wire-to-Board Housing, Friction Lock, 5.80mm (.228") Height, 13 Circuits

Documents:

[3D Model](#) [Product Specification PS-51004-002 \(PDF\)](#)
[Drawing \(PDF\)](#) [RoHS Certificate of Compliance \(PDF\)](#)

Agency Certification

CSA LR19980
 UL E29179

General

Product Family Crimp Housings
 Series [51004](#)
 MolexKits Yes
 Overview [microblade](#)
 Product Name MicroBlade™

Physical

Circuits (maximum) 13
 Flammability 94V-0
 Gender Receptacle
 Glow-Wire Compliant No
 Lock to Mating Part Yes
 Material - Resin Polyester
 Number of Rows 1
 Packaging Type Bag
 Panel Mount No
 Pitch - Mating Interface (in) 0.079 In
 Pitch - Mating Interface (mm) 2.00 mm
 Stackable No
 Temperature Range - Operating -20°C to +85°C

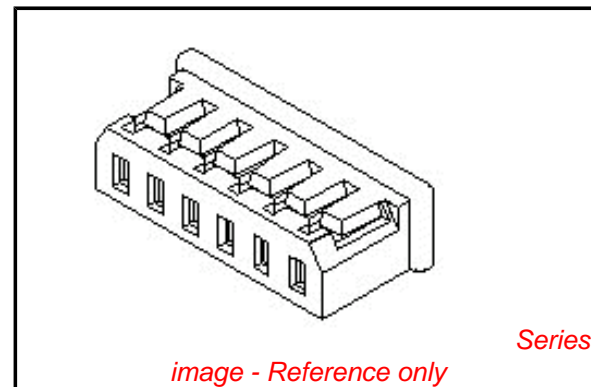
Electrical

Current - Maximum per Contact 2A

Material Info

Reference - Drawing Numbers

Packaging Specification SPK-51004-001
 Product Specification PS-51004-002, RPS-51004-001, RPS-51004-002, RPS-51004-003, RPS-51004-004, RPS-51004-006, RPS-51004-008, RPS-51004-010, RPS-51004-011, RPS-51004-012, RPS-51004-013, RPS-51004-014, RPS-51004-015, RPS-51004-016, RPS-51004-017, RPS-51004-018, RPS-51004-019, RPS-51004-020, RPS-51004-021, RPS-51004-022, RPS-51004-023, RPS-51004-024, RPS-51004-025
 Sales Drawing SD-51004-**00



EU RoHS

ELV and RoHS Compliant
REACH SVHC Contains SVHC: No
Halogen-Free Status

China RoHS



Not Halogen-Free
Need more information on product environmental compliance?

Email productcompliance@molex.com
 For a multiple part number RoHS Certificate of Compliance, [click here](#)

Please visit the [Contact Us](#) section for any non-product compliance questions.

Search Parts in this Series

[51004Series](#)

Mates With

[53014](#) , [53015](#) , [53025](#) MicroBlade™ Headers

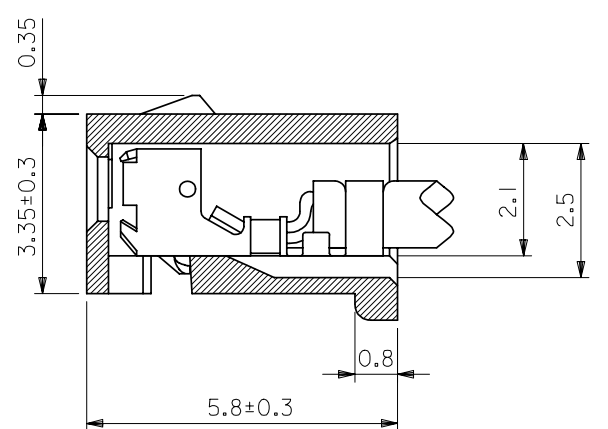
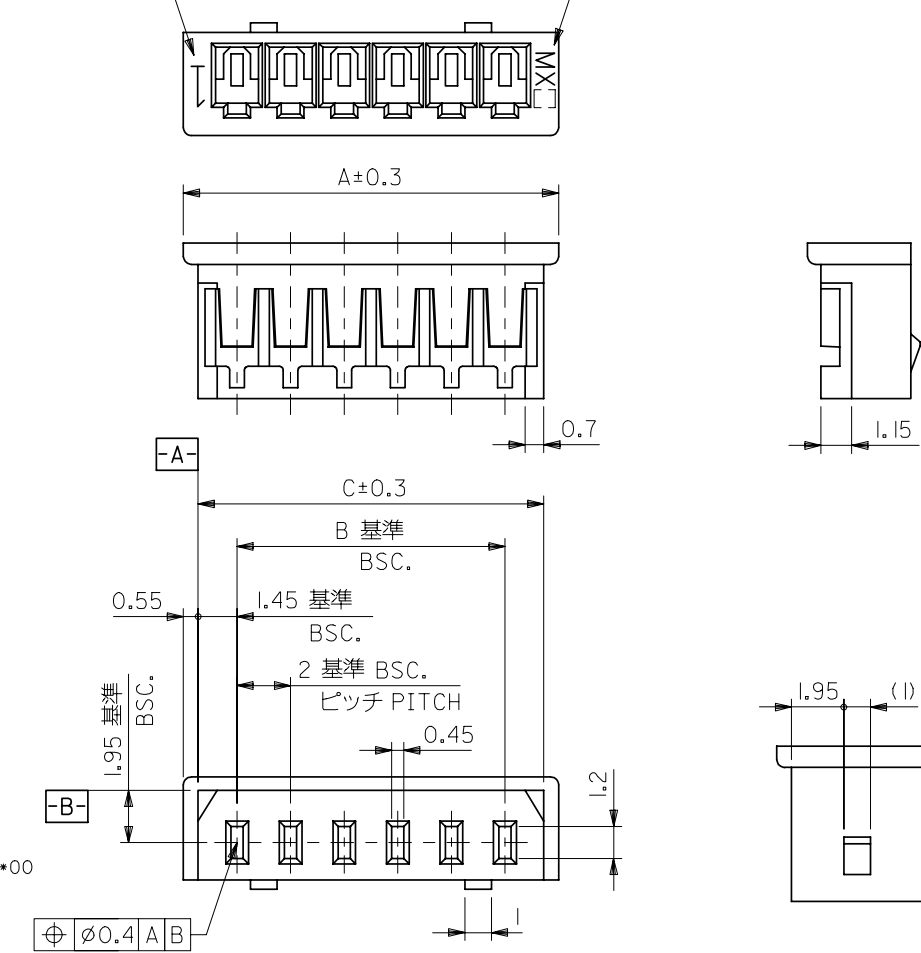
Use With

[50011](#) Crimp Terminal

DWG. NO.
SD-51004-**00

回路番号
CIRCUIT NO.

トレードマーク
TRADE MARK



ターミナル装着状態
TERMINAL ASSEMBLY DRAWING
(10:1)

2極の場合
IN CASE OF 2 CIRCUIT HSG.

- 注
NOTE.
- 適合ターミナル: 50011-8*00
ACCEPTS TERMINAL
 - 嵌合相手: 53014-**10
MATES WITH 53015-**10
53025-**10

32	30.9	28	51004-1500	15
30	28.9	26	-1400	14
28	26.9	24	-1300	13
26	24.9	22	-1200	12
24	22.9	20	-1100	11
22	20.9	18	-1000	10
20	18.9	16	-0900	9
18	16.9	14	-0800	8
16	14.9	12	-0700	7
14	12.9	10	-0600	6
12	10.9	8	-0500	5
10	8.9	6	-0400	4
8	6.9	4	-0300	3
6	4.9	2	51004-0200	2
A	C	B	ENG. NO.	極数 CIRCUIT

DO NOT SCALE DRAWING

EC NO. DRWN: CH'K: APPR:		EC NO. DRWN: CH'K: APPR:		EC NO. DRWN: CH'K: APPR:		EC NO. DRWN: CH'K: APPR:		EC NO. DRWN: CH'K: APPR:		REVISION		MATERIAL		GENERAL TOLERANCES: (UNLESS SPECIFIED)		SCALE		DESIGN UNITS		THIRD ANGLE PROJECTION		DIMENSIONS:		SHT		REV	
										G		PBT. UL94V-0 POLYESTER UL94V-0		10 UNDER 未滿		5:1		mm		mm		mm		mm		mm	
										REDRAWN				10 OVER 以上		30 UNDER 未滿		mm		mm		mm		mm		mm	
										JC2000-0629				30 OVER 以上				mm		mm		mm		mm		mm	
										K.KOHAMA								mm		mm		mm		mm		mm	
										T.YAMAGUCHI								mm		mm		mm		mm		mm	
										M.FUKUSHIMA								mm		mm		mm		mm		mm	
										DESCRIPTION								mm		mm		mm		mm		mm	
										FINISH								mm		mm		mm		mm		mm	
										WIRE RANGE								mm		mm		mm		mm		mm	
										適用電線範囲								mm		mm		mm		mm		mm	
										INS. RANGE								mm		mm		mm		mm		mm	
										被覆外径								mm		mm		mm		mm		mm	
																		mm		mm		mm		mm		mm	
																		mm		mm		mm		mm		mm	
																		mm		mm		mm		mm		mm	
																		mm		mm		mm		mm		mm	
																		mm		mm		mm		mm		mm	
																		mm		mm		mm		mm		mm	
																		mm		mm		mm		mm		mm	
																		mm		mm		mm		mm		mm	
																		mm		mm		mm		mm		mm	
																		mm		mm		mm		mm		mm	
																		mm		mm		mm		mm		mm	
																		mm		mm		mm		mm		mm	
																		mm		mm		mm		mm		mm	
																		mm		mm		mm		mm		mm	
																		mm		mm		mm		mm		mm	
																		mm		mm		mm		mm		mm	
																		mm		mm		mm		mm		mm	
																		mm		mm		mm		mm		mm	
																		mm		mm		mm		mm		mm	
																		mm		mm		mm		mm		mm	
																		mm		mm		mm		mm		mm	
																		mm		mm		mm		mm		mm	
																		mm		mm		mm		mm		mm	
																		mm		mm		mm		mm		mm	
																		mm		mm		mm		mm		mm	
																		mm		mm		mm		mm		mm	
																		mm		mm		mm		mm		mm	
																		mm		mm		mm		mm		mm	
																		mm		mm		mm		mm		mm	
																		mm		mm		mm		mm		mm	
																		mm		mm		mm		mm		mm	
																		mm		mm		mm		mm		mm	
																		mm		mm		mm		mm		mm	
																		mm		mm		mm		mm		mm	
																		mm		mm		mm		mm		mm	
																		mm		mm		mm		mm		mm	
																		mm		mm		mm		mm		mm	
																		mm		mm		mm		mm		mm	
																		mm		mm		mm		mm		mm	
																		mm		mm		mm		mm		mm	
																		mm		mm		mm		mm		mm	
																		mm		mm		mm		mm		mm	
																		mm		mm		mm		mm		mm	
																		mm		mm		mm		mm		mm	
																		mm		mm		mm		mm		mm	
																		mm		mm		mm		mm		mm	
																		mm		mm		mm		mm		mm	
																		mm		mm		mm		mm		mm	
																		mm		mm		mm		mm		mm	
																		mm		mm		mm		mm		mm	
																		mm		mm		mm		mm		mm	
																		mm		mm		mm		mm		mm	
																		mm		mm		mm		mm		mm	
																		mm		mm		mm		mm		mm	
																		mm		mm		mm		mm		mm	
																		mm		mm		mm		mm		mm	
																		mm		mm		mm		mm		mm	
																		mm		mm		mm		mm		mm	
																		mm		mm		mm		mm		mm	
																		mm		mm		mm		mm		mm	
																		mm		mm		mm		mm		mm	
																		mm		mm		mm		mm		mm	
																		mm		mm		mm		mm		mm	
																		mm		mm		mm		mm		mm	
																		mm		mm		mm		mm		mm	
																		mm		mm		mm		mm		mm	
																		mm		mm		mm		mm		mm	
																		mm		mm		mm</					