

PLEASE CHECK WWW.MOLEX.COM FOR LATEST PART INFORMATION

Part Number: [0391000807](#)
Status: **Active**
Description: 8.00mm (.315") Pitch Beau™ Eurostyle™ Two-Screw Terminal Strips, 7 Circuits

Documents:

[3D Model](#) [RoHS Certificate of Compliance \(PDF\)](#)
[Drawing \(PDF\)](#)

Agency Certification

CSA 25562
 UL E82573

General

Product Family Terminal Blocks
 Series [39100](#)
 Application Wire-to-Wire
 Component Type One Piece
 Product Literature Order No USA-303
 Product Name Eurostyle™ Two Screw
 Type Euro Block

Physical

Circuits (Loaded) 7
 Entry Angle Horizontal
 Flammability 94V-2
 Lock to Mating Part None
 Number of Rows 2
 Orientation Vertical
 PCB Retention Yes
 Panel Mount Mounting Holes Between Circuit
 Pitch - Mating Interface (in) 0.315 In
 Pitch - Mating Interface (mm) 8.00 mm
 Pitch - Term. Interface (in) 0.315 In
 Pitch - Term. Interface (mm) 8.00 mm
 Polarized to Mating Part No
 Stackable No
 Temperature Range - Operating 100°C
 Wire Size AWG 12, 14, 16, 18, 20, 22

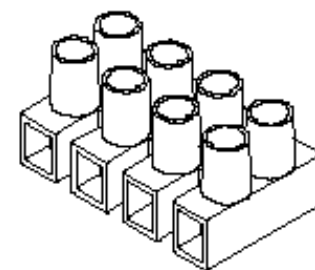
Electrical

Current - Maximum per Contact 20A
 Voltage - Maximum 600V

Material Info

Reference - Drawing Numbers

Sales Drawing SD-39100-002



Series
image - Reference only

EU RoHS

ELV and RoHS
Compliant
REACH SVHC
Contains SVHC: No
Halogen-Free
Status
Not Reviewed

China RoHS

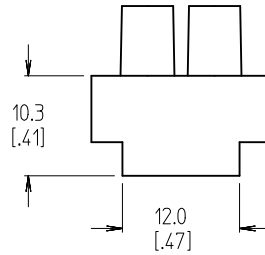
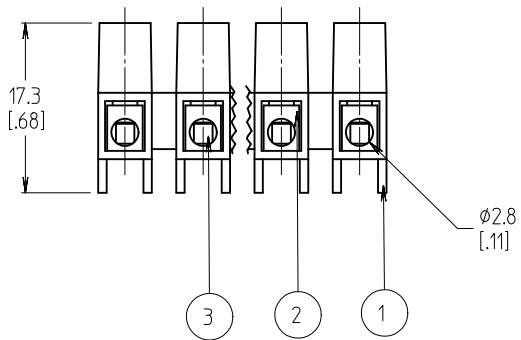
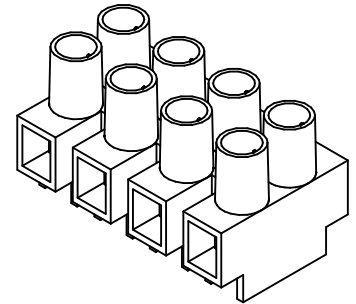
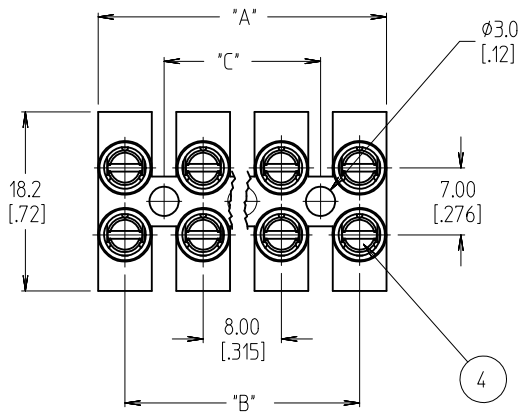


Need more information on product environmental compliance?

Email productcompliance@molex.com
 For a multiple part number RoHS Certificate of Compliance, [click here](#)

Please visit the [Contact Us](#) section for any non-product compliance questions.

Search Parts in this Series
[39100Series](#)



NUMBER OF CIRCUITS	"A" DIM.	"B" DIM.	"C" DIM.	MATERIAL NUMBER
01	5.46 [0.215]	N/A	N/A	391000801
02	13.46 [0.530]	8.00 [0.315]	N/A	391000802
03	21.46 [0.845]	16.00 [0.630]	8.00 [0.315]	391000803
04	29.46 [1.160]	24.00 [0.945]	16.00 [0.630]	391000804
05	37.47 [1.475]	32.00 [1.260]	24.00 [0.945]	391000805
06	45.47 [1.790]	40.01 [1.575]	32.00 [1.260]	391000806
07	53.47 [2.105]	48.01 [1.890]	40.00 [1.575]	391000807
08	61.47 [2.420]	56.01 [2.205]	48.00 [1.890]	391000808
09	69.47 [2.735]	64.01 [2.520]	56.00 [2.205]	391000809
10	77.47 [3.050]	72.01 [2.835]	64.00 [2.520]	391000810
11	85.47 [3.365]	80.01 [3.150]	72.00 [2.835]	391000811
12	93.47 [3.680]	88.01 [3.465]	80.00 [3.150]	391000812

NOTES:

- 1. MATERIAL: SEE TABLE
- 2. FINISHES: SEE TABLE
- 3:*XX* REFERS TO THE NUMBER OF CIRCUITS
- 4. ASSEMBLY IS ROHS COMPLIANT BY EXEMPTION. COMPONENTS MARKED WITH AN ASTERISK (*) ARE ROHS COMPLIANT BY EXEMPTION, ALL OTHERS ARE ROHS COMPLIANT.

4	XX*2	CLAMPING SCREWS, M2.6 (B)	STEEL	ZINC
3	XX	WIRE PROTECTOR	BRASS	NICKEL
2	XX	TERMINAL (*)	BRASS	NICKEL
1	1	INSULATOR	NYLON 6	CLEAR
ITEM	QTY.	DESCRIPTION	MATERIAL	FINISH

REVISED & REDRAWN EC NO: WNA2010-0649 DRAWN: CLYORK 2010/04/26 CHKD: DTITUS 2010/04/26 APPR: DTITUS 2010/04/26	DESCRIPTION B	QUALITY SYMBOLS ▽=0 ▽=0	GENERAL TOLERANCES (UNLESS SPECIFIED)	DIMENSION STYLE MM/IN	SCALE 2:1	DESIGN UNITS INCH	THIRD ANGLE PROJECTION											
		<table border="1"> <tr><td>4 PLACES</td><td>± ---</td><td>± ---</td></tr> <tr><td>3 PLACES</td><td>± ---</td><td>± .005</td></tr> <tr><td>2 PLACES</td><td>± 0.13</td><td>± .010</td></tr> <tr><td>1 PLACE</td><td>± 0.3</td><td>± ---</td></tr> </table>	4 PLACES	± ---	± ---	3 PLACES	± ---	± .005	2 PLACES	± 0.13	± .010	1 PLACE	± 0.3	± ---	DRAWN BY: CLYORK DATE: 2010/04/26 CHECKED BY: DTITUS DATE: 2010/04/26 APPROVED BY: DTITUS DATE: 2010/04/27	TITLE: 8MM PITCH HIGH PROFILE WITH WIRE PROTECTORS MOLEX INCORPORATED DOCUMENT NO. SD-39100-002 SHEET NO. 1 OF 1		
		4 PLACES	± ---	± ---														
		3 PLACES	± ---	± .005														
2 PLACES	± 0.13	± .010																
1 PLACE	± 0.3	± ---																
DRAFT WHERE APPLICABLE MUST REMAIN WITHIN DIMENSIONS			SEE CHART			THIS DRAWING CONTAINS INFORMATION THAT IS PROPRIETARY TO MOLEX INCORPORATED AND SHOULD NOT BE USED WITHOUT WRITTEN PERMISSION												
MATERIAL NO.			SIZE B			THIS DRAWING CONTAINS INFORMATION THAT IS PROPRIETARY TO MOLEX INCORPORATED AND SHOULD NOT BE USED WITHOUT WRITTEN PERMISSION												