

**PLEASE CHECK WWW.MOLEX.COM FOR LATEST PART INFORMATION**

**Part Number:** [0352040196](#)  
**Status:** **Active**  
**Description:** 2.36mm (.093") Diameter Wire-to-Board Header, Vertical, with Positive Latch, 1 Circuit, Lead-free, White

**Documents:**

[Drawing \(PDF\)](#) [RoHS Certificate of Compliance \(PDF\)](#)

**General**

Product Family	PCB Headers
Series	<a href="#">35204</a>
Application	Wire-to-Board
Product Name	N/A

**Physical**

Breakaway	No
Circuits (Loaded)	1
Circuits (maximum)	1
Durability (mating cycles max)	30
First Mate / Last Break	No
Glow-Wire Compliant	No
Guide to Mating Part	No
Keying to Mating Part	None
Lock to Mating Part	Yes
Material - Plating Mating	Tin
Material - Plating Termination	Tin
Number of Rows	1
Orientation	Vertical
PC Tail Length (in)	0.154 In
PC Tail Length (mm)	3.90 mm
PCB Locator	No
PCB Retention	Yes
PCB Thickness Recommended (in)	0.062 In
PCB Thickness Recommended (mm)	1.60 mm
Packaging Type	Tube
Pitch - Mating Interface (in)	0.000 In
Pitch - Mating Interface (mm)	0.00 mm
Pitch - Term. Interface (in)	0.000 In
Pitch - Term. Interface (mm)	0.00 mm
Polarized to Mating Part	Yes
Polarized to PCB	No
Shrouded	Fully
Stackable	No
Surface Mount Compatible (SMC)	No
Temperature Range - Operating	-40°C to +105°C
Termination Interface: Style	Through Hole

**Electrical**

Current - Maximum per Contact	7A
Voltage - Maximum	300V

**Material Info**

**EU RoHS**

**ELV and RoHS Compliant**  
**REACH SVHC**  
 Not Reviewed  
**Halogen-Free Status**  
 Not Reviewed

**China RoHS**



**Need more information on product environmental compliance?**

Email [productcompliance@molex.com](mailto:productcompliance@molex.com)  
 For a multiple part number RoHS Certificate of Compliance, [click here](#)

Please visit the [Contact Us](#) section for any non-product compliance questions.

**Search Parts in this Series**

[35204Series](#)

**Mates With**

[35108 Wire-to-Board Housing](#)

DWG. NO.  
SD-35204-001

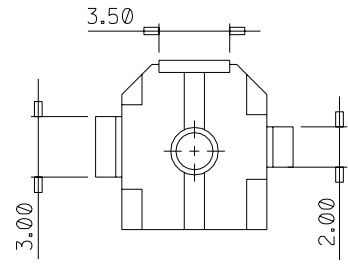
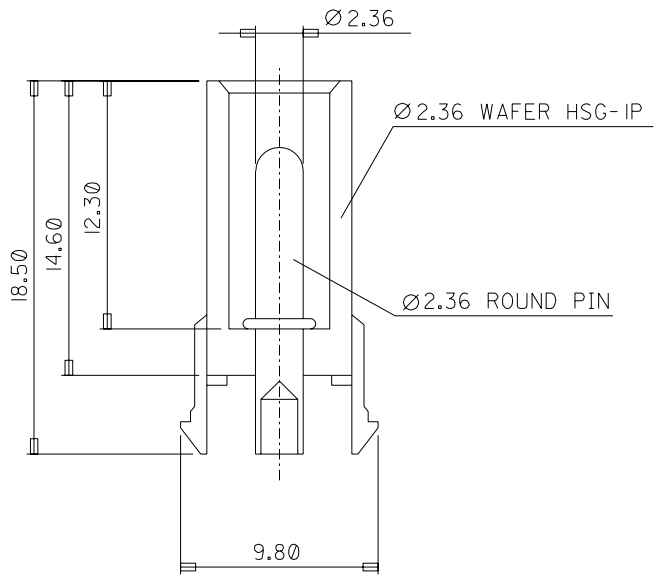
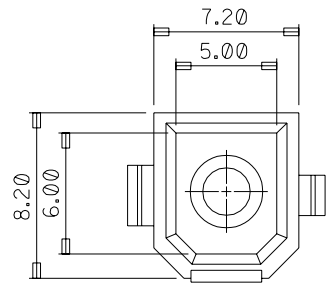
SIMILAR ITEM

PROJECT NO.

C

B

DO NOT SCALE DRAWING  
DIMENSION IN METRIC



ASS'Y PART		
DESCRIPTION	ENG. NO.	MATERIAL
Ø2.36 WAFER HOUSING-1P	35204-114*	NYLON66,UL94V-0 UNFILLED
	35204-116*	
	35204-118*	NYLON66,UL94V-0 GLASS FILLED
	35204-119*	
Ø2.36 ROUND PIN	35601-1561	BRASS

ENG. NO.	COLOR
35204-01*2	RED
35204-01*3	YELLOW
35204-01*4	BLUE
35204-01*5	GREEN
35204-01*6	WHITE

\* : PACKAGING: POLY-VINYL / TUBE STICK  
EXAMPLE)  
35204-01 \* 2  
4.8 : POLY-VINYL PACKAGING  
6.9 : TUBE STICK PACKAGING

NOTES

- MATERIAL: SEE TABLE 1
- COLOR: SEE TABLE 2

REVISED EC NO. KOR2004-0117 DRAWN: C.B.CHIN 04/03/08 CHK: W.Y.YANG APPR: C.W.LEE	QUALITY SYMBOLS MAJOR △ = 0 CRITICAL ▽ = 0	GENERAL TOLERANCES: (UNLESS SPECIFIED)		SCALE 4:1	DESIGN UNITS <input checked="" type="checkbox"/> mm <input type="checkbox"/> INCH	THIRD ANGLE PROJECTION	DIMENSIONS: <input type="checkbox"/> mm <input type="checkbox"/> INCH <input checked="" type="checkbox"/> mm ONLY	SHT	REV
		4 PLACES	±.	±.	DRAWN BY & DATE W.Y.YANG 96/01/12		TITLE: Ø 2.36 WAFER-IP		
		3 PLACES	±.	±.	CHECKED BY & DATE B.K.CHOI 96/01/12		MOLEX INCORPORATED		
		2 PLACES	±0.30	±.	APPROVED BY & DATE C.W.LEE 96/01/12				
1 PLACE	±0.30	±.	ANGULAR: ± 3.0 °		CAD FILENAME S35204AA.DGN	MATERIAL NO. SEE TABLE	DRAWING NO. SD-35204-001	SHEET NO. 1 OF 1	SIZE B
B	REV	DRAFT WHERE APPLICABLE MUST REMAIN WITHIN DIMENSIONS				THIS DRAWING CONTAINS INFORMATION THAT IS PROPRIETARY TO MOLEX INCORPORATED AND SHOULD NOT BE USED WITHOUT WRITTEN PERMISSION.			