

PLEASE CHECK WWW.MOLEX.COM FOR LATEST PART INFORMATION

Part Number: **0340620032**
Status: **Active**
Overview: mx150 sealed connector system
Description: 5.00mm (.197") Pitch MX150™ Sealed Female Receptacle, Single Row, 2 Circuits, Keying Option B, with Clip Slot, Gray

Documents:

[3D Model](#) [Product Specification PS-34062-000 \(PDF\)](#)
[Application Specification \(PDF\)](#) [RoHS Certificate of Compliance \(PDF\)](#)
[Drawing \(PDF\)](#)

General

Product Family	Crimp Housings
Series	34062
Comments	No Connector Position Assurance (CPA)
More Detailed Tech Information	http://ewcap.uscarteams.org
Overview	<u>mx150 sealed connector system</u>
Product Name	MX150™

Physical

Circuits (maximum)	2
Circuits Detail	2
Color - Resin	Gray
Gender	Female
Glow-Wire Compliant	No
Keying to Mating Part	Yes
Lock to Mating Part	Yes
Material - Resin	Nylon
Number of Rows	2
Packaging Type	Bag
Panel Mount	No
Pitch - Mating Interface (in)	0.197 In
Pitch - Mating Interface (mm)	5.00 mm
Pitch - Term. Interface (in)	0.197 In
Pitch - Term. Interface (mm)	5.00 mm
Polarized to Mating Part	Yes
Stackable	No
Temperature Range - Operating	-40°C to +125°C

Electrical

Current - Maximum per Contact	22A
-------------------------------	-----

Material Info

Reference - Drawing Numbers

Application Specification	AS-34062-000
Packaging Specification	PK-30907-879
Product Specification	PS-34062-000
Sales Drawing	SD-34062-002



EU RoHS

ELV and RoHS Compliant
REACH SVHC
 Not Reviewed
Halogen-Free Status
 Not Reviewed

China RoHS



Need more information on product environmental compliance?

Email productcompliance@molex.com
 For a multiple part number RoHS Certificate of Compliance, [click here](#)

Please visit the [Contact Us](#) section for any non-product compliance questions.

Search Parts in this Series

[34062Series](#)

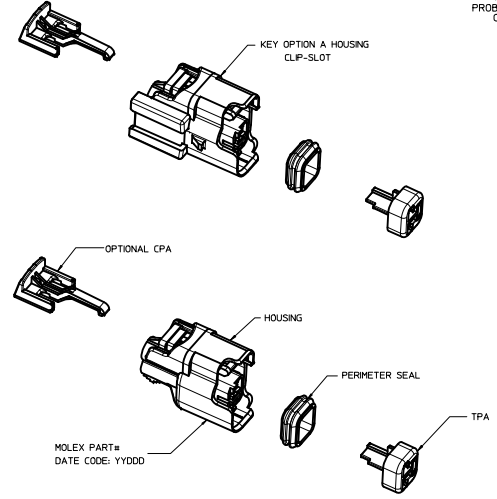
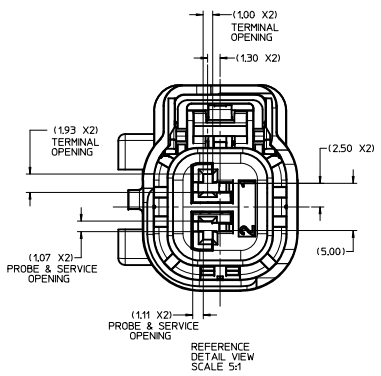
Mates With

[34675 MX150™ Cable-Sealed Male Connector](#)

Use With

[34083 Female Terminal](#)

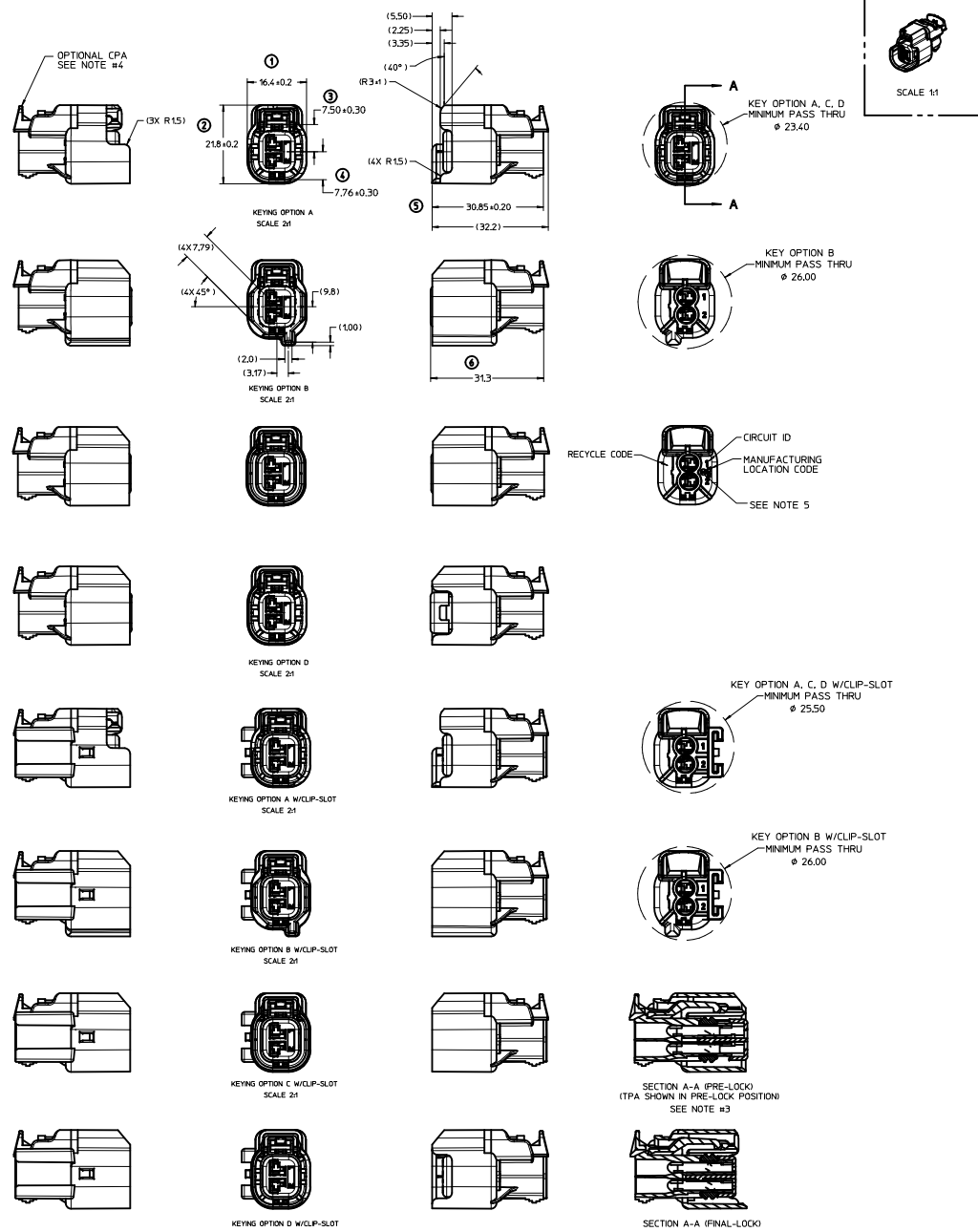
ASSEMBLY PART NUMBER	COLOR	KEYING OPTION	CPA	CLIP-SLOT
34062-0021	BLACK	A	NO	NO
34062-0022	LT. GRAY	B	NO	NO
34062-0023	BLACK	C	NO	NO
34062-0024	BLACK	D	NO	NO
34062-0029	LT. GRAY	D	NO	NO
34062-0025	BLACK	A	YES	NO
34062-0026	LT. GRAY	B	YES	NO
34062-0027	BLACK	C	YES	NO
34062-0028	BLACK	D	YES	NO
34062-0030	LT. GRAY	D	YES	NO
34062-0031	BLACK	A	NO	YES
34062-0032	LT. GRAY	B	NO	YES
34062-0033	BLACK	C	NO	YES
34062-0034	BLACK	D	NO	YES
34062-0035	LT. GRAY	D	NO	YES
34062-0036	BLACK	A	YES	YES
34062-0037	LT. GRAY	B	YES	YES
34062-0038	BLACK	C	YES	YES
34062-0039	BLACK	D	YES	YES
34062-0040	LT. GRAY	D	YES	YES



- NOTES: UNLESS OTHERWISE SPECIFIED
- ASSEMBLY CONFORMS TO: SAE/USCAR-12, REV 2; SAE/USCAR-2 REV 4; EXCEPT TPA REMOVAL FROM FINAL LOCK - SECOND CYCLE SHALL NOT BE LESS THAN 12 NEWTONS. SAE/USCAR-20 DEC 2001
 - DESIGNED TO MATE WITH DEVICE CONNECTION AS SPECIFIED IN EWCAP DRAWING 150-S-002-1-Z01 REV A (9-18-2003).
 - ASSEMBLY SHIPPED WITH TPA IN PRE-LOCK POSITION (SEE SECTION A-A PRE-LOCK). UPON FULL TERMINAL ASSEMBLY, EACH TPA MUST BE SNAPPED INTO ITS FINAL-LOCK POSITION (SEE SECTION A-A FINAL-LOCK)
 - OPTIONAL CPA IN PRE-LOCK POSITION SHOWN IN ALL VIEWS.
 - KEYING OPTION AND ASSEMBLY MACHINE IDENTIFIER.
 - RECYCLE CODES FOR COMPONENTS
PERIMETER SEAL: SILICON 30 DUROMETER
HOUSING: DSM AKULON K-FHG6
TPA/CPA: PBT-GF30
 - SYSTEM TESTED USING ESB-M1123-A WIRE.
 - DISCOLORATION AT THE HOLDING KNOT LINES DOES NOT AFFECT PRODUCT PERFORMANCE.

QTY	DESCRIPTION	REF	QTY	DESCRIPTION	REF	QTY	DESCRIPTION	REF	QTY	DESCRIPTION	REF	QTY	DESCRIPTION	REF	QTY	DESCRIPTION	REF	QTY	DESCRIPTION	REF	
22	0.50	34083-2003	RIGHT	TIN	22	E-1644-01	-	1.19-1.65													
22	0.50	34083-3003	LEFT	TIN	22	E-1644-01	-	1.19-1.65													
22	0.50	34081-2005	RIGHT	GOLD	22	E-1644-01	-	1.19-1.65													
22	0.50	34081-3005	LEFT	GOLD	22	E-1644-01	-	1.19-1.65													
20	0.75	34083-2002	RIGHT	TIN	18/20	E-1644-00	-	1.60-2.10													
20	0.75	34083-3002	LEFT	TIN	18/20	E-1644-00	-	1.60-2.10													
20	0.75	34081-2004	RIGHT	GOLD	18/20	E-1644-00	-	1.60-2.10													
20	0.75	34081-3004	LEFT	GOLD	18/20	E-1644-00	-	1.60-2.10													
18	1.0	34083-3002	RIGHT	TIN	18/20	E-1644-00	-	1.60-2.10													
18	1.0	34083-3002	LEFT	TIN	18/20	E-1644-00	-	1.60-2.10													
18	1.0	34081-2004	RIGHT	GOLD	18/20	E-1644-00	-	1.60-2.10													
18	1.0	34081-3004	LEFT	GOLD	18/20	E-1644-00	-	1.60-2.10													
16	1.5	34083-3001	RIGHT	TIN	14/16	E-1644-02	-	2.10-2.50													
16	1.5	34083-3001	LEFT	TIN	14/16	E-1644-02	-	2.10-2.50													
16	1.5	34081-2003	RIGHT	GOLD	14/16	E-1644-02	-	2.10-2.50													
16	1.5	34081-3003	LEFT	GOLD	14/16	E-1644-02	-	2.10-2.50													
14	1.5	34083-2001	RIGHT	TIN	14/16	-	7158-3033-40	2.54-2.69													
14	1.5	34083-3001	LEFT	TIN	14/16	-	7158-3033-40	2.54-2.69													
14	1.5	34081-2003	RIGHT	GOLD	14/16	-	7158-3033-40	2.54-2.69													
14	1.5	34081-3003	LEFT	GOLD	14/16	-	7158-3033-40	2.54-2.69													
AWG	METRIC	MOLEX	PAYOFF	PLATING	GRIP	OSR	P/N	YAZAKI	P/N	WIRE OD	RANGE	COLOR									
WIRE SIZE	PART NUMBER	DIRECTION	TERMINAL									CABLE SEAL									

INSPECTION NUMBER LOG
LAST NUMBER USED: 6
ADDED: 6
REMOVED:



ENTER DESCRIPTION EC NO: UAU0009-0706 IT: DRAWN BY THIS 2007/03/16 APPROX: THIS 2007/03/16	QUALITY SYMBOLS ▽=0 ▽=0	GENERAL TOLERANCES (UNLESS SPECIFIED) mm ± --- INCH ± --- ANGULAR ± 3°	DIMENSION STYLE MM ONLY	SCALE 2:1	DESIGN UNITS METRIC	THIRD ANGLE PROJECTION	
	DRAWN BY DHZHANG DATE 2007/03/16	CHECKED BY DGRIFITHS DATE 2007/04/18	APPROVED BY SMARCEAU DATE 2007/04/18	MATERIAL NO. SEE CHART	DOCUMENT NO. SD-34062-002	SHEET NO. 1 OF 1	INCORPORATED AND SHOULD NOT BE USED WITHOUT WRITTEN PERMISSION
	CONNECTION ASSEMBLY 2-WAY FUEL 15MM FEMALE FUEL INJECTOR CONNECTOR						
	MOLEX INCORPORATED						