

**PLEASE CHECK WWW.MOLEX.COM FOR LATEST PART INFORMATION**

**Part Number:** [0190070024](#)  
**Status:** **Active**  
**Description:** Flag InsulKrimp™ Quick Disconnect, Female, for 14-16 (2.00-1.30) Wire, Mylar Tape, Tab 6.35mm (.250") x 0.81mm (.03)

**Documents:**

[Drawing \(PDF\)](#) [RoHS Certificate of Compliance \(PDF\)](#)  
[Product Specification PS-19902-008 \(PDF\)](#)

**General**

Product Family	Quick Disconnects
Series	<a href="#">19007</a>
Crimp Quality Equipment	Yes
Product Name	InsulKrimp™
Type	Quick Disconnect

**Physical**

Barrel Type	Closed
Color - Resin	Natural
Flammability	94V-0
Gender	Female
Glow-Wire Compliant	No
Insulation	Nylon (PA)
Lock to Mating Part	None
Material - Metal	Brass
Material - Resin	Nylon
Orientation	Flag
Packaging Type	Adhesive Tape on Reel
Polarized to Mating Part	No
Tab Thickness	0.81mm (.032")
Tab Width	6.35mm (.250")
Temperature Range - Operating	-65°C to +105°C
Wire Insulation Diameter	5.08mm (.200") max.
Wire Size AWG	14, 16
Wire Size mm²	1.30 - 2.00

**Electrical**

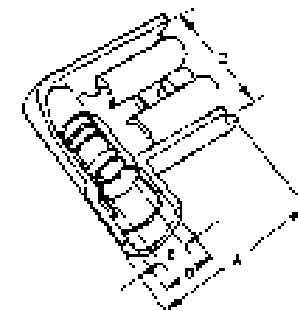
CSA	LR18689
UL	E79133
Voltage - Maximum	600V

**Material Info**

Old Part Number	BB-2221T
-----------------	----------

**Reference - Drawing Numbers**

Product Specification	PS-19902-008
Sales Drawing	SD-19007-004



*Series  
image - Reference only*

**EU RoHS**

**ELV and RoHS  
Compliant**  
**REACH SVHC**  
 Not Reviewed  
**Halogen-Free  
Status**  
**Not Reviewed**

**China RoHS**



**Need more information on product  
environmental compliance?**

Email [productcompliance@molex.com](mailto:productcompliance@molex.com)  
 For a multiple part number RoHS Certificate of Compliance, [click here](#)

Please visit the [Contact Us](#) section for any non-product compliance questions.

**Search Parts in this Series**

[19007Series](#)

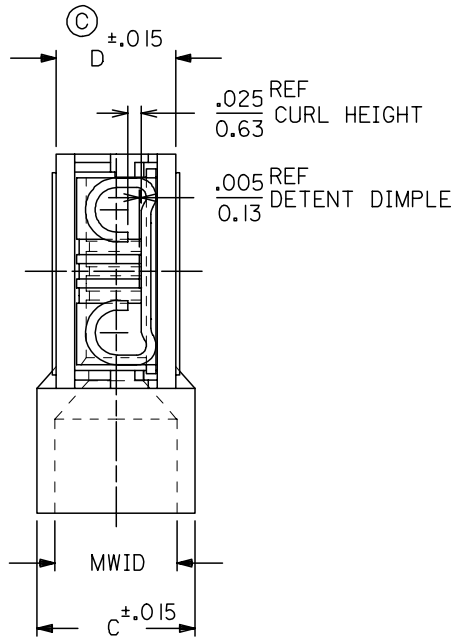
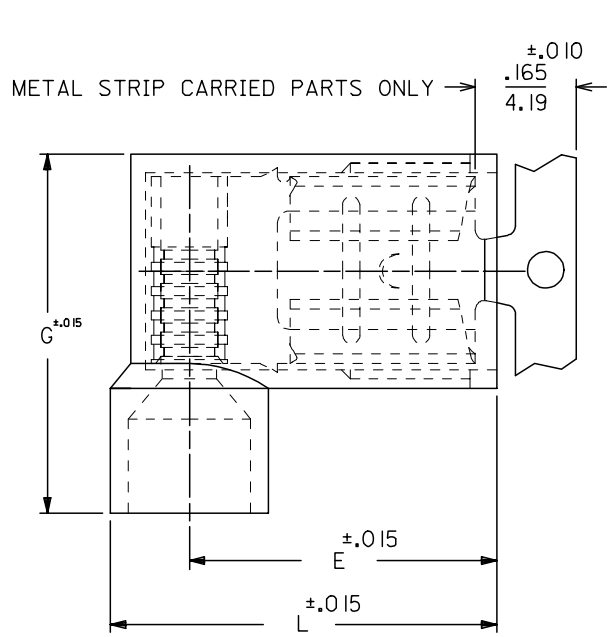
**Application Tooling | [FAQ](#)**

*Tooling specifications and manuals are found by selecting the products below. Crimp Height Specifications are then contained in the Application Tooling Specification document.*

**Global**

Description	Product #
Crimp Dies for the ATP-301 Air Crimping Press for Mylar Tape Mounted Terminals	<a href="#">0192880165</a>

MATERIAL NUMBER	ENGINEERING NUMBER	CARRIER STYLE	AWG	COLOR	MWID	L	G	E	C	D (C)
190070001	AA-2220	LOOSE	22-18	RED	.176/4.47	.630/16.00	.585/14.86	.512/13.00	.236/5.99	.197/5.00
190070005	AA-2220X	LOOSE	22-18	RED	.240/6.10	.662/16.81	.625/15.88	.512/13.00	.300/7.26	.197/5.00
190070021	BB-2221	LOOSE	16-14	BLUE	.200/5.08	.630/16.00	.585/14.86	.500/12.70	.260/6.60	.197/5.00
190070025	BB-2221X	LOOSE	16-14	BLUE	.265/6.73	.670/17.02	.625/15.88	.500/12.70	.325/8.26	.197/5.00
190070040	C-2211	LOOSE	12-10	YELLOW	.260/6.60	.667/16.93	.677/17.20	.511/12.98	.311/7.90	.246/6.25
190070008	AA-2220Z	METAL STRIP	22-18	RED	.176/4.47	.630/16.00	.585/14.86	.512/13.00	.236/5.99	.197/5.00
190070007	AA-2220XZ	METAL STRIP	22-18	RED	.240/6.10	.662/16.81	.625/15.88	.512/13.00	.300/7.26	.197/5.00
190070028	BB-2221Z	METAL STRIP	16-14	BLUE	.200/5.08	.630/16.00	.585/14.86	.500/12.70	.260/6.60	.197/5.00
190070027	BB-2221XZ	METAL STRIP	16-14	BLUE	.265/6.73	.670/17.02	.625/15.88	.500/12.70	.325/8.26	.197/5.00
190070041	C-2211Z	METAL STRIP	12-10	YELLOW	.260/6.60	.667/16.93	.677/17.20	.511/12.98	.311/7.90	.246/6.25



- NOTES:
1. MWID = MAX. WIRE INSULATION DIA.
  2. ALL DIMENSIONS = INCHES/MM
  3. MATERIAL:  
HOUSING: NYLON  
TERMINAL: TIN PLATED BRASS
  4. ASSEMBLY IS ROHS COMPLIANT.

REDWN W/DIM. D ADDED EC NO: ETC2007-0229 DRW: NEHLE 2006/12/15 CHKD: JMACNEIL 2006/12/15 APPR: JMACNEIL 2006/12/15	QUALITY SYMBOLS	GENERAL TOLERANCES (UNLESS SPECIFIED)	DIMENSION STYLE	SCALE	DESIGN UNITS	THIRD ANGLE PROJECTION															
	$\nabla=0$ $\nabla=0$	<table border="1"> <thead> <tr> <th></th> <th>mm</th> <th>INCH</th> </tr> </thead> <tbody> <tr> <td>4 PLACES</td> <td>± ---</td> <td>± ---</td> </tr> <tr> <td>3 PLACES</td> <td>± ---</td> <td>± .005</td> </tr> <tr> <td>2 PLACES</td> <td>± 0.13</td> <td>± .01</td> </tr> <tr> <td>1 PLACE</td> <td>± 0.25</td> <td>± ---</td> </tr> </tbody> </table>		mm	INCH	4 PLACES	± ---	± ---	3 PLACES	± ---	± .005	2 PLACES	± 0.13	± .01	1 PLACE	± 0.25	± ---	IN/MM	5:1	INCH	
		mm	INCH																		
	4 PLACES	± ---	± ---																		
3 PLACES	± ---	± .005																			
2 PLACES	± 0.13	± .01																			
1 PLACE	± 0.25	± ---																			
DRAFT WHERE APPLICABLE MUST REMAIN WITHIN DIMENSIONS	<table border="1"> <tr> <td>DRAWN BY</td> <td>DATE</td> <td rowspan="2">TITLE</td> </tr> <tr> <td>RCM</td> <td>1989/07/26</td> </tr> <tr> <td>CHECKED BY</td> <td>DATE</td> <td rowspan="2"> <b>FLAG QUICK DISCONNECT,          FULLY INSULATED,          .250 X .032 TAB SIZE</b> </td> </tr> <tr> <td>JM</td> <td>1989/07/26</td> </tr> <tr> <td>APPROVED BY</td> <td>DATE</td> <td rowspan="2"> <b>MOLEX INCORPORATED</b> </td> </tr> <tr> <td>FP</td> <td>1989/07/26</td> </tr> </table>	DRAWN BY	DATE	TITLE	RCM	1989/07/26	CHECKED BY	DATE	<b>FLAG QUICK DISCONNECT,          FULLY INSULATED,          .250 X .032 TAB SIZE</b>	JM	1989/07/26	APPROVED BY	DATE	<b>MOLEX INCORPORATED</b>	FP	1989/07/26	MATERIAL NO. <b>SEE CHART</b>	DOCUMENT NO. <b>SD-19007-004</b>	SHEET NO. <b>1 OF 1</b>		
DRAWN BY	DATE	TITLE																			
RCM	1989/07/26																				
CHECKED BY	DATE	<b>FLAG QUICK DISCONNECT,          FULLY INSULATED,          .250 X .032 TAB SIZE</b>																			
JM	1989/07/26																				
APPROVED BY	DATE	<b>MOLEX INCORPORATED</b>																			
FP	1989/07/26																				
SIZE <b>B</b>	THIS DRAWING CONTAINS INFORMATION THAT IS PROPRIETARY TO MOLEX INCORPORATED AND SHOULD NOT BE USED WITHOUT WRITTEN PERMISSION																				