

PLEASE CHECK WWW.MOLEX.COM FOR LATEST PART INFORMATION

Part Number: [0050362281](#)
Status: **Active**
Overview: [standard_062](#)
Description: 1.57mm (.062") Diameter Standard .062" Pin and Socket Plug Housing, 9 Circuits, With Standard Mounting Ears, Glow Wire Compatible

Documents:

[3D Model](#) [Product Specification PS-02-06 \(PDF\)](#)
[Drawing \(PDF\)](#) [RoHS Certificate of Compliance \(PDF\)](#)

Agency Certification

CSA	LR19980
TUV	R72081037
UL	E29179

General

Product Family	Crimp Housings
Series	1625
Comments	Polarized to Mating Part
Overview	standard_062
Product Name	Standard .062"

Physical

Circuits (maximum)	9
Circuits Detail	3x3
Color - Resin	Natural
Flammability	94V-0
Gender	Receptacle
Glow-Wire Compliant	Yes
Keying to Mating Part	None
Lock to Mating Part	Yes
Material - Resin	Nylon
Number of Rows	3
Packaging Type	Bag
Panel Mount	Yes
Pitch - Mating Interface (in)	0.145 In
Pitch - Mating Interface (mm)	3.68 mm
Pitch - Term. Interface (in)	0.145 In
Pitch - Term. Interface (mm)	3.96 mm
Polarized to Mating Part	Yes
Stackable	No
Temperature Range - Operating	-40°C to +105°C

Electrical

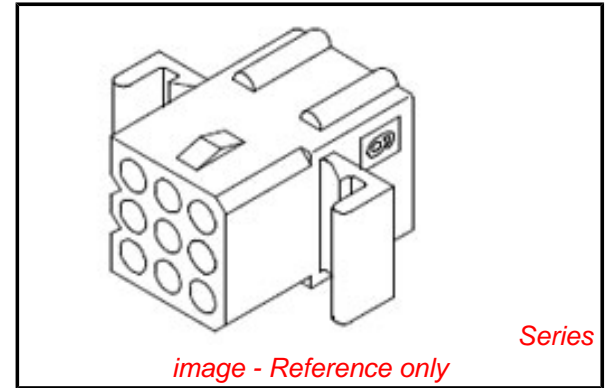
Current - Maximum per Contact	5A
-------------------------------	----

Material Info

Old Part Number	1625-9R4-1
-----------------	------------

Reference - Drawing Numbers

Packaging Specification	PK-1625-001
Product Specification	PS-02-06
Sales Drawing	SD-1625-9**



EU RoHS

ELV and RoHS Compliant
REACH SVHC Contains SVHC: No
Halogen-Free Status
Not Reviewed

China RoHS



Need more information on product environmental compliance?

Email productcompliance@molex.com
 For a multiple part number RoHS Certificate of Compliance, [click here](#)

Please visit the [Contact Us](#) section for any non-product compliance questions.

Search Parts in this Series

[1625Series](#)

Mates With

[1625 Plug](#)

Use With

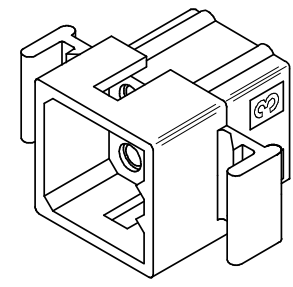
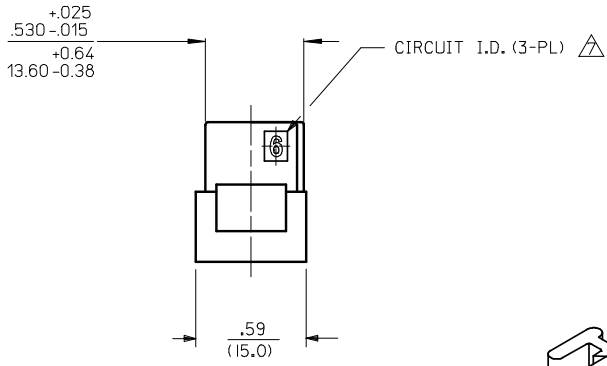
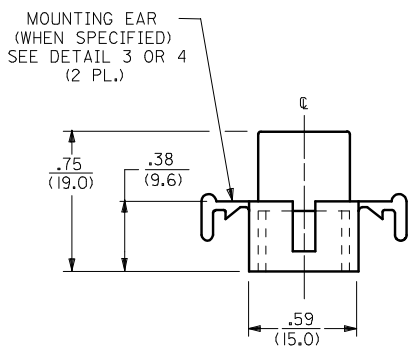
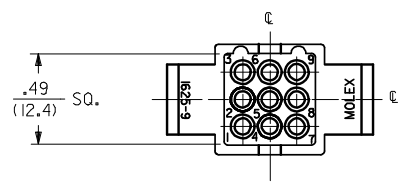
Female Crimp Terminals [1561](#)[Link:4559](#), [4529](#), [2190](#), [2189](#), [1787](#), [1855](#). Male Crimp Terminals [1560](#), [1786](#), [1854](#), [1778](#). Male PC Tail Terminals. [1779](#) Female PC Tail Terminals

PLEASE CHECK WWW.MOLEX.COM FOR LATEST PART INFORMATION

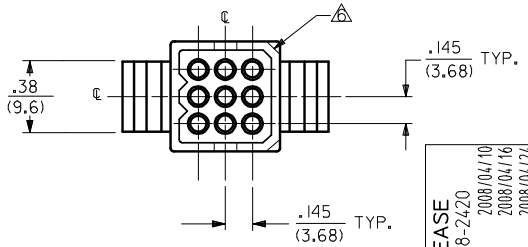
13 12 11 10 9 8 7 6 5 4 3 2 1

J
I
H
G
F
E
D
C
B
A

J
I
H
G
F
E
D
C
B
A



PLUG



3	A
2	A
1	A
SHT.	REV.

INITIAL RELEASE EC NO: UCP2008-2420 DRAWN:PRIDDER 2008/04/10 CHKD:LSCHMIDT 2008/04/16 APPR:FSMITH 2008/04/24	DESCRIPTION REV	QUALITY SYMBOLS ▽=0 ▽=0	GENERAL TOLERANCES (UNLESS SPECIFIED)		DIMENSION STYLE IN/MM		SCALE 2:1	DESIGN UNITS INCH	THIRD ANGLE PROJECTION		
			mm	INCH	DRAWN BY AELHAG	DATE 2008/04/07	TITLE .062/(1.57) HOUSINGS PLUG & RECEPTACLE 9 CKT., .145/(3.68) CTRS				
4 PLACES ± --- ± ---			4 PLACES ± --- ± ---		CHECKED BY LSCHMIDT		DATE 2008/04/07	MOLEX INCORPORATED			
3 PLACES ± --- ± .010			3 PLACES ± .025 ± .014		APPROVED BY FSMITH		DATE 2008/04/07				
2 PLACES ± .025 ± .014			2 PLACES ± .036 ± ---		MATERIAL NO.		DOCUMENT NO.	SD-1625-9**			
1 PLACE ± 0.36 ± ---			ANGULAR ± 1/2°		SEE CHART		SHEET NO. 1 OF 3		THIS DRAWING CONTAINS INFORMATION THAT IS PROPRIETARY TO MOLEX INCORPORATED AND SHOULD NOT BE USED WITHOUT WRITTEN PERMISSION		
DRAFT WHERE APPLICABLE MUST REMAIN WITHIN DIMENSIONS											

12 11 10 9 8 7 6 5 4 3 2 1

13

12

11

10

9

8

7

6

5

4

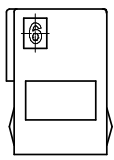
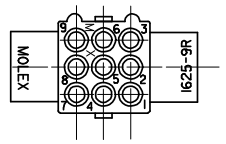
3

2

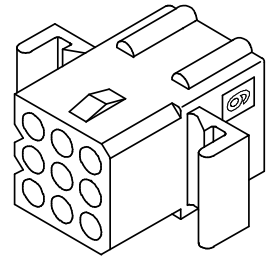
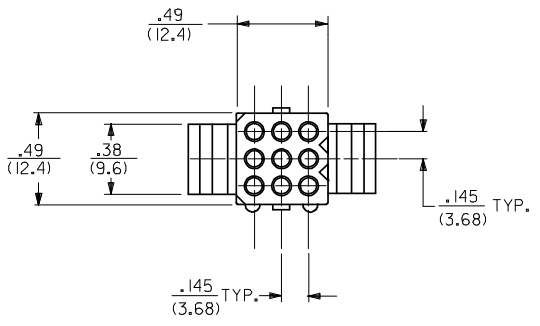
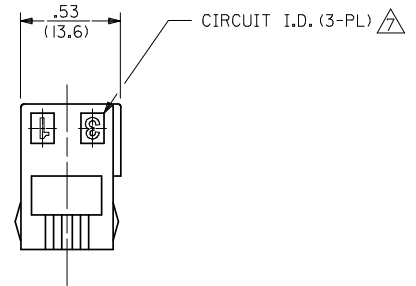
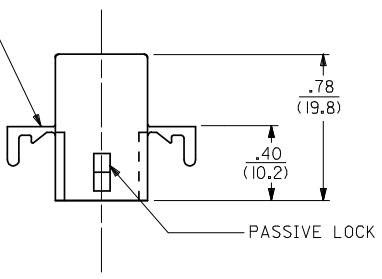
1

J
I
H
G
F
E
D
C
B
A

J
I
H
G
F
E
D
C
B
A



OPTIONAL MOUNTING EARS
SEE DETAIL 3 OR 4
FOR VERSIONS AVAILABLE



RECEPTACLE

INITIAL RELEASE EC NO: UCP2008-2420 DRAWN: PRIDDER 2008/04/10 CHKD: LSCHMIDT 2008/04/16 APPR: FSMITH 2008/04/24	DESCRIPTION QUALITY SYMBOLS ▼=0 ▽=0	GENERAL TOLERANCES (UNLESS SPECIFIED)		DIMENSION STYLE IN/MM		SCALE 2:1	DESIGN UNITS INCH	THIRD ANGLE PROJECTION	
		4 PLACES ± --- ± ---	mm INCH	DRAWN BY AELHAG	DATE 2008/04/07	TITLE .062/(1.57) HOUSINGS, PLUG AND RECEPTACLE, 9 CKT., .145/(3.68) CTRS			
		3 PLACES ± --- ± .010		CHECKED BY LSCHMIDT	DATE 2008/04/07	MOLEX INCORPORATED			
		2 PLACES ± 0.25 ± .014 1 PLACE ± 0.36 ± --- ANGULAR ± 1/2°		APPROVED BY FSMITH	DATE 2008/04/07	MATERIAL NO. SEE CHART	DOCUMENT NO. SD-1625-9**	SHEET NO. 2 OF 3	
DRAFT WHERE APPLICABLE MUST REMAIN WITHIN DIMENSIONS		SIZE THIS DRAWING CONTAINS INFORMATION THAT IS PROPRIETARY TO MOLEX INCORPORATED AND SHOULD NOT BE USED WITHOUT WRITTEN PERMISSION							

12

11

10

9

8

7

6

5

4

3

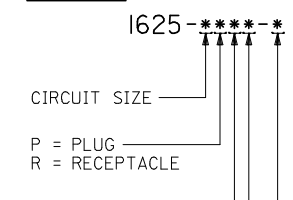
2

1

PLUG	
PART NO.	ENG. NO.
50-36-2279	1625-9P-1

RECEPTACLE	
PART NO.	ENG. NO.
50-36-2281	1625-9R4-1

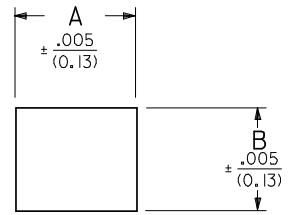
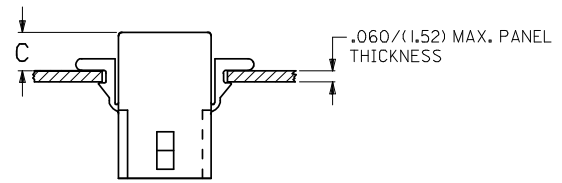
LEGEND:



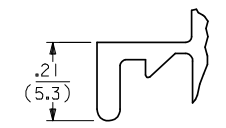
MOUNTING EAR & DETENT COMBINATIONS:
 BLANK=PLUG OR RECEPTACLE WITH STANDARD EARS
 I=PLUG OR RECEPTACLE WITHOUT EARS
 4=PLUG OR RECEPTACLE WITH PREBENT EARS

COLOR: NOT APPLICABLE

BLANK = MATERIAL CODE A
 B = MATERIAL CODE B
 C = MATERIAL CODE C
 1 = MATERIAL CODE D



RECEP.	.650 (16.51)	.552 (14.02)	.21 (5.3)	.22 (5.6)
PLUG	.752 (19.10)	.615 (15.62)	.20 (5.1)	.21 (5.3)
PART	DIM. A	DIM. B	DIM. C (STANDARD EAR)	DIM. C (PREBENT EAR)



DETAIL 3
STANDARD MOUNTING EAR
(SCALE 4:1)

RECOMMENDED HOLE PATTERN

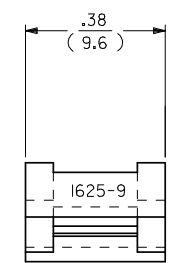
NOTES:

- MATERIAL CODES:
 A- SEE DRAWING SD-1625-9*
 B- SEE DRAWING SD-1625-9*
 C- SEE DRAWING SD-1625-9*
 D- NYLON (PA 6). UL94V-0. IEC 60335-1 4TH EDITION GLOW WIRE CAPABLE.
 COLOR BLACK
- FINISH: NONE
- PRODUCT SPECIFICATION: PS-02-06
- PACKAGING SPECIFICATION: PK-1625-001
- HOUSINGS OF USE WITH MOLEX .062 DIAMETER TERMINALS.

SOME PARTS MAY HAVE THIS CORNER CHAMFERED.

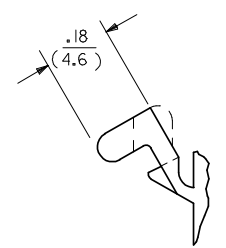
CIRCUIT I.D. NUMBERS APPEAR ONLY ON TOOLS BUILT AFTER 1992/11/01.

8. PARTS CONFORM TO CLASS B REQUIREMENTS OF COSMETIC SPECIFICATION PS-45499-002 EXCEPT MATERIAL OPTION D MEETS CLASS 'C' REQUIREMENTS FOR SINK AND DISCOLORATION.



DETAIL 4

PREBENT MOUNTING EAR
(SCALE 4:1)



INITIAL RELEASE EC NO: UCP2008-2420 DRAWN:PRIDDER 2008/04/10 CHKD:LSCHMIDT 2008/04/16 APPR:FSMITH 2008/04/24	QUALITY SYMBOLS 	GENERAL TOLERANCES (UNLESS SPECIFIED)		DIMENSION STYLE IN/MM		SCALE 2:1	DESIGN UNITS INCH	THIRD ANGLE PROJECTION
		4 PLACES ± --- ± --- 3 PLACES ± --- ± .010 2 PLACES ± 0.25 ± .014 1 PLACE ± 0.36 ± --- ANGULAR ± 1 °	DRAWN BY AELHAG 2008/04/07 CHECKED BY LSCHMIDT 2008/04/07 APPROVED BY FSMITH 2008/04/07	TITLE .062/(1.57) HOUSINGS, PLUG AND RECEPTACLE, 9 CKT., .145/(3.68) CTRS			MATERIAL NO. SEE CHART	DOCUMENT NO. SD-1625-9**
DRAFT WHERE APPLICABLE MUST REMAIN WITHIN DIMENSIONS		THIS DRAWING CONTAINS INFORMATION THAT IS PROPRIETARY TO MOLEX INCORPORATED AND SHOULD NOT BE USED WITHOUT WRITTEN PERMISSION						