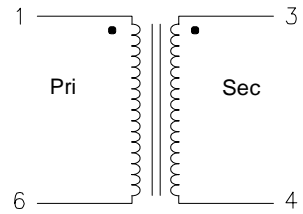


# STEP-UP TRANSFORMER

Electrical Specifications at 25°C

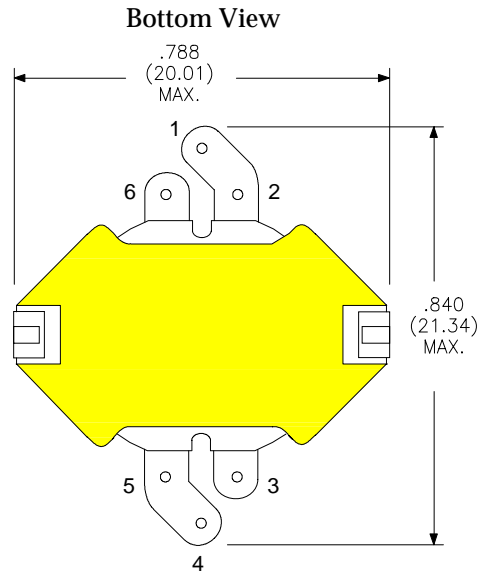
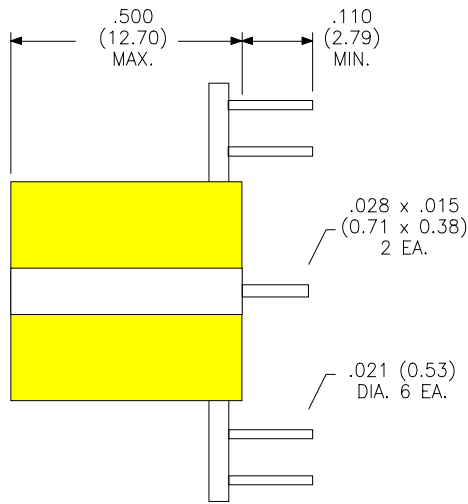
Parameter	Nominal	Max.	Units
Primary Inductance (Pins 1-6)	550		μH
Interwinding Capacitance	19		pF
Leakage Inductance	156		nH
Primary DC Resistance (P) (1-6)	0.51		Ω
Secondary DCR (S) (3-4)	11.0		Ω
ET	156		Vμs
Hipot	1500 V <sub>RMS</sub>	Min.	

Schematic Diagram

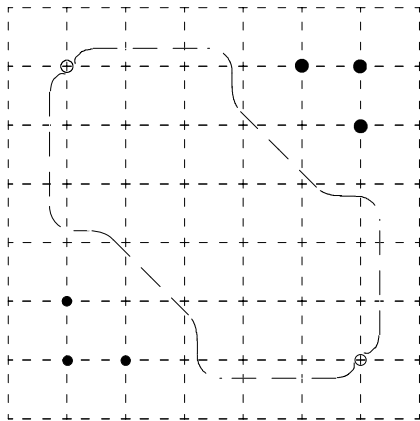


Turns Ratio  
(± 5 %)  
1 : 20

Physical Dimensions  
inches (mm)



RM6 Grid 0.100" (2.54mm)



RHOMBUS P/N: T-920	
CUST P/N:	NAME:
DATE: 7/18/97	SHEET: 1 OF 1