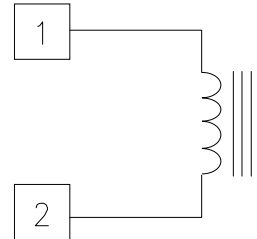


SMPS Inductor - Toroid

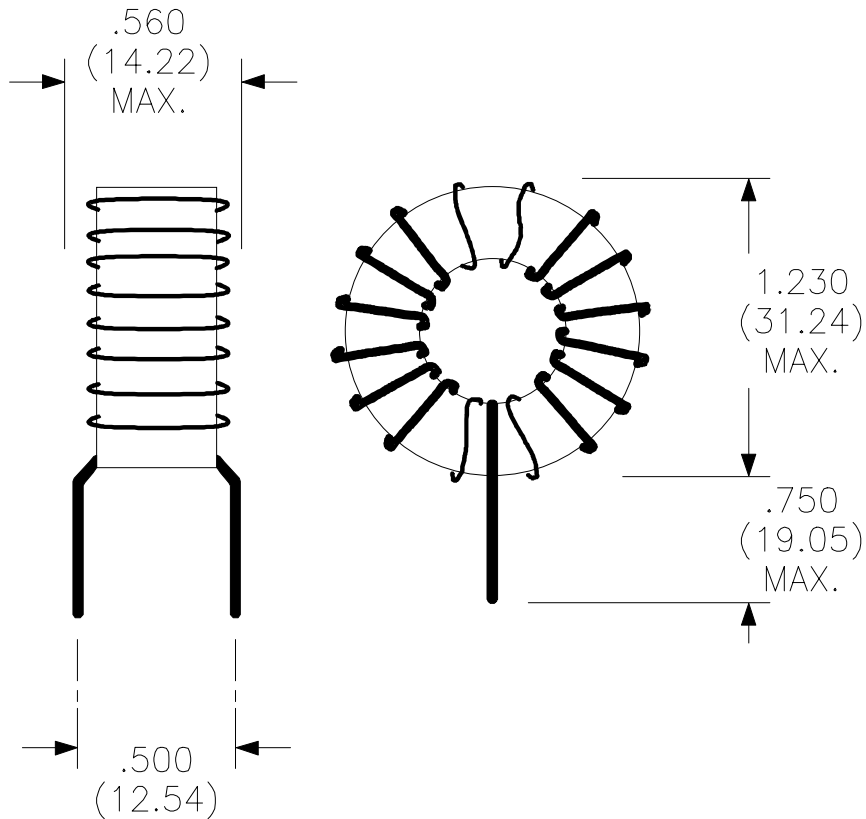
Electrical Specifications at 25°C

Parameter	Min.	Typ.	Max.	Units
Inductance (No DC) tested at 0.015V _{RMS} / 1 kHz (0 ADC)	43.2	55.0	58.9	μH
DCR			0.02	Ω
Energy Storage	1300			μJ
Lead Diameter		.051		inches

Schematic Diagram



Bare Coil Dimensions inches (mm)



Leads Stripped and Tinned to within 0.060" of Coil

RHOMBUS P/N: L-20436

CUST P/N:

NAME:

DATE: 5/06/96

SHEET: 1 OF 1