

# AC Power Line Choke

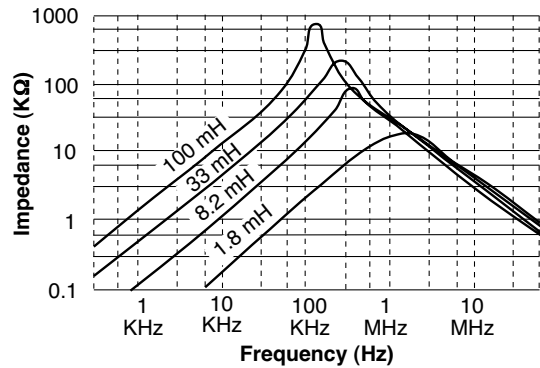
## EPZ3037V-XXX

- Used as AC Power Line Filters in CTV, VTR, Audios, PC's, Facsimilies and Power Supply Applications
- UL940-V Recognized Materials
- Temperature Rise : 45°C Max.
- UL1446 Insulating System
- 2000 Vrms Isolation

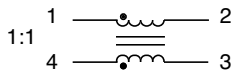
### Electrical Parameters @ 25° C

Part Number	Inductance (mH Min.) [Pins 1-2, 4-3]	Current Rating (A rms Max.)
EPZ3037V-821	.82	2.0
EPZ3037V-122	1.2	1.6
EPZ3037V-182	1.8	1.5
EPZ3037V-222	2.2	1.3
EPZ3037V-272	2.7	1.1
EPZ3037V-332	3.3	1.1
EPZ3037V-392	3.9	1.0
EPZ3037V-562	5.6	0.8
EPZ3037V-682	6.8	0.7
EPZ3037V-822	8.2	0.6
EPZ3037V-103	10	0.6
EPZ3037V-183	18	0.5
EPZ3037V-223	22	0.4
EPZ3037V-333	33	0.3

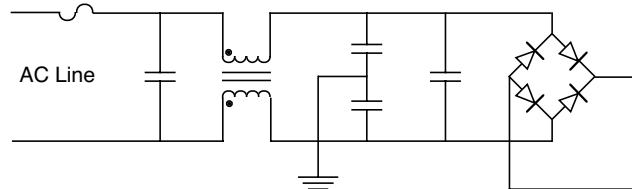
### Impedance Characteristics



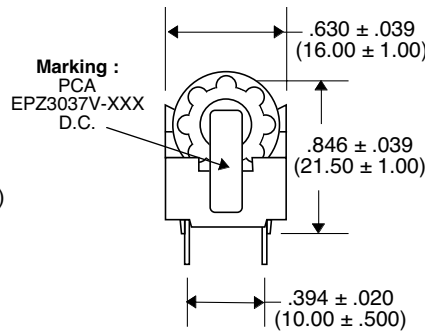
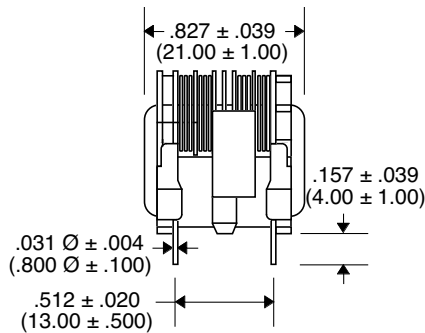
### Schematic



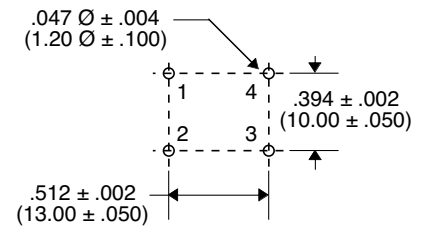
### Circuit Sample



### Package



### Recommended PWB Piercing Plan



Unless Otherwise Specified Dimensions are in Inches /mm ±.010 /.25