

EPB5203G & EPB5203G-RC

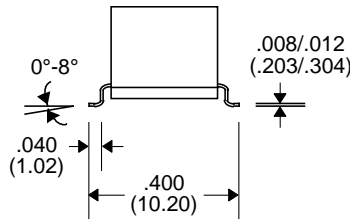
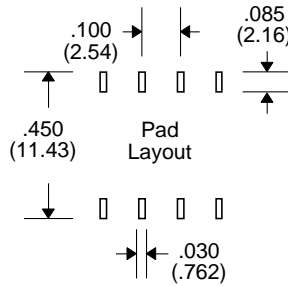
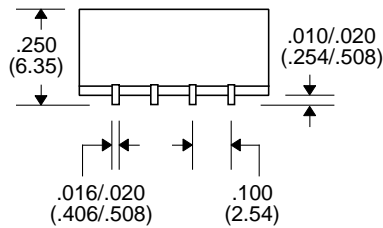
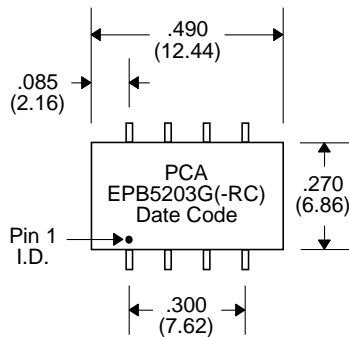
- Integrated LPF designed to work with Texas Instruments 4522
- Robust construction allows for IR/VP processes
- Add "-RC" after part number for RoHS Compliant

Electrical Parameters @ 25°C

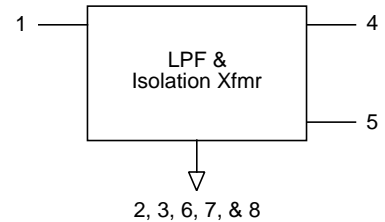
Cut-Off Frequency (MHz Typ.)	Insertion Loss (dB Max.)	Return Loss (dB Min.)			Attenuation (dB Min.)			Group Delay (nS Max.)
		5 -60 MHz	65 MHz	75 MHz	100 MHz	150-500 MHz		
68	-1.5	-15	-13	-7	-25	-35	35	

- Characteristics Filter Impedance : 75 /75
- Channel-Channel Crosstalk : -60 dB Typ. (5-65 MHz)

Package



Schematic



Notes :	EPB5203G	EPB5203G-RC
1. Lead Finish	SnPb	Hot Tin Dip (Sn) †
2. Peak Temperature Rating	225°C	245°C
3. Moisture Sensitive Levels	MSL = 3 (168 Hours, 30°C/60%RH)	MSL = 4 (72 Hours, 30°C/60%RH)
4. Weight	TBD grams	TBD grams
5. Packaging Information (Tube)	TBD pieces/tube	TBD pieces/tube
(*Add "TR" to end of part number, but in front of "-RC" when placing order) (Tape & Reel)	TBD pieces/13" reel (*EPB5203GTR)	TBD pieces/13" reel (*EPB5203GTR-RC)

† Hot tin dipped over Matte Tin with Ni Barrier

Unless Otherwise Specified Dimensions are in Inches /mm ± .010 /.25