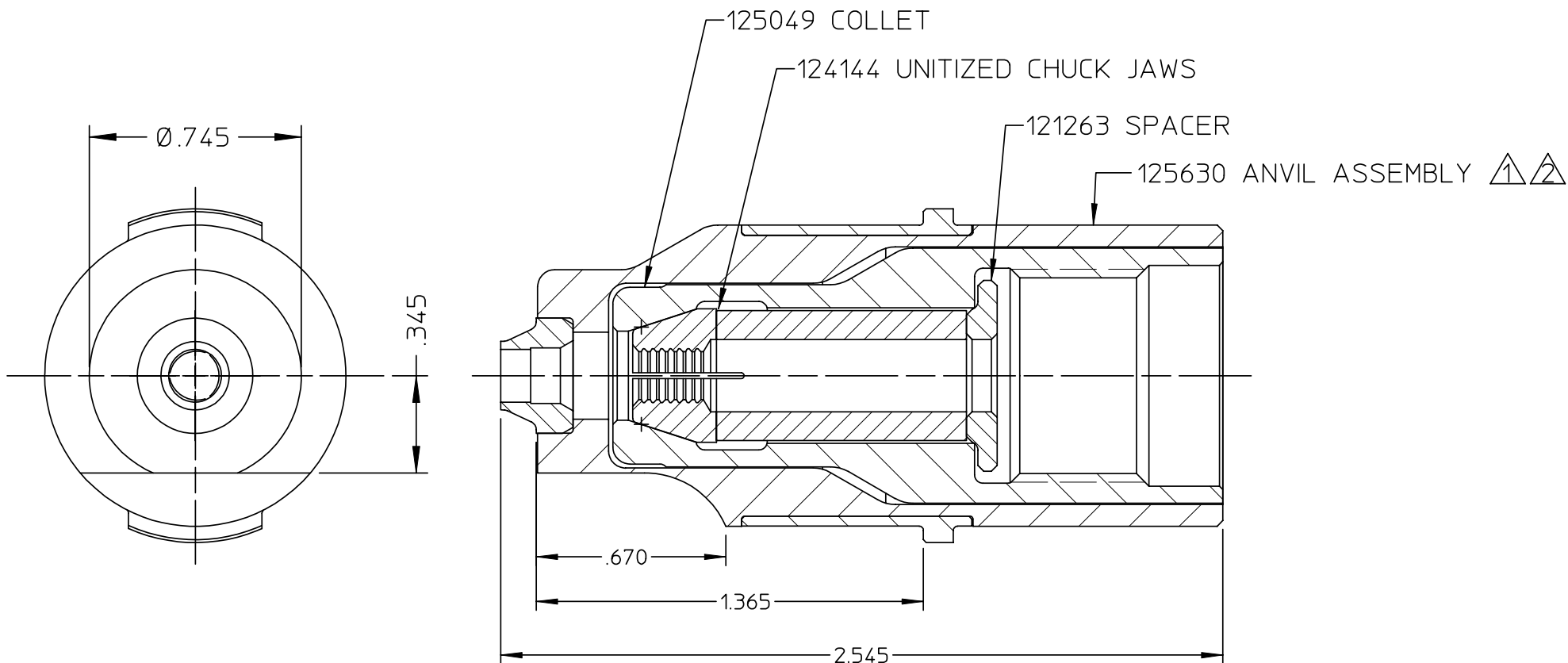


DATA SHEET



Alcoa Fastening Systems

Commercial Products
1 Corporate Drive, Kingston, NY 12401

99-2745	Part Number	TYPE:	NON-SELF-RELEASING
		FASTENER:	-08 BR
		TOOL(S):	245, 246, 353, 2502, 2503, 2580
		Notes:	Product Revision: A
		US Patent:	Date: 07/08/03

NOTES:

△ ANVIL ASSEMBLY 125630 CONSISTS OF:
ANVIL HOLDER ASSEMBLY 125047 AND
ANVIL INSERT 119381.

△ ANVIL HOLDER ASSEMBLY 125047 CONSISTS OF,
ANVIL HOLDER 125046 AND
RETAINER 120737.