

PLEASE CHECK WWW.MOLEX.COM FOR LATEST PART INFORMATION

Part Number: [0752341508](#)
Status: **Active**
Overview: [gbx_backplane_connector_system](#)
Description: GbX 2-Pair Free Backplane Free Standing Guide Pin Kit

Documents:

[Drawing \(PDF\)](#) [RoHS Certificate of Compliance \(PDF\)](#)

General

| | |
|--------------------------------|---|
| Product Family | Backplane Connectors |
| Series | 75234 |
| Application | Backplane, Midplane |
| Application Tooling Documents | Tooling Manual |
| Comments | Use with PCB Thickness of 1.60mm to 5.00mm |
| Component Type | Guide |
| More Detailed Tech Information | I-Trac@molex.com |
| Overview | gbx_backplane_connector_system |
| Product Name | GbX® |
| Style | N/A |

Physical

| | |
|--------------------------------|-----------------|
| Circuits (Loaded) | N/A |
| Durability (mating cycles max) | 200 |
| First Mate / Last Break | No |
| Guide to Mating Part | No |
| Keying to Mating Part | N/A |
| Material - Metal | Stainless Steel |
| Number of Columns | N/A |
| Number of Pairs | N/A |
| Number of Rows | 0 |
| Orientation | N/A |
| PCB Retention | Yes |
| Packaging Type | Bag |
| Pitch - Mating Interface (in) | 0.000 In |
| Pitch - Mating Interface (mm) | 0.00 mm |
| Polarized to PCB | N/A |
| Surface Mount Compatible (SMC) | N/A |
| Temperature Range - Operating | N/A |

Electrical

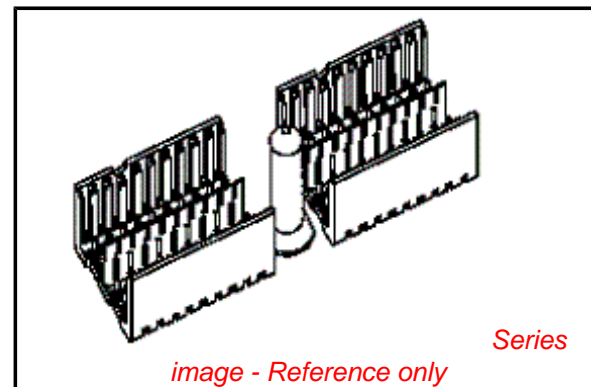
| | |
|-------------------------------|-----|
| Current - Maximum per Contact | N/A |
| Data Rate | N/A |
| Shield Type | N/A |
| Voltage - Maximum | N/A |

Material Info

Reference - Drawing Numbers

| | |
|---------------|--------------|
| Sales Drawing | SD-75234-120 |
|---------------|--------------|

GbX is a registered trademark of Amphenol Corporation.



EU RoHS

**ELV and RoHS
Compliant**

REACH SVHC

Contains SVHC: No

Halogen-Free

Status

Halogen-Free

**Need more information on product
environmental compliance?**

Email productcompliance@molex.com
For a multiple part number RoHS Certificate of
Compliance, [click here](#)

Please visit the [Contact Us](#) section for any
non-product compliance questions.

China RoHS



Search Parts in this Series

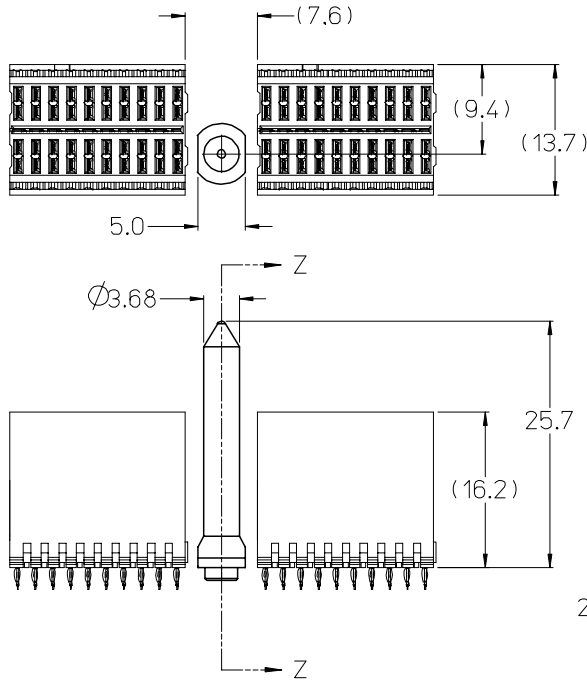
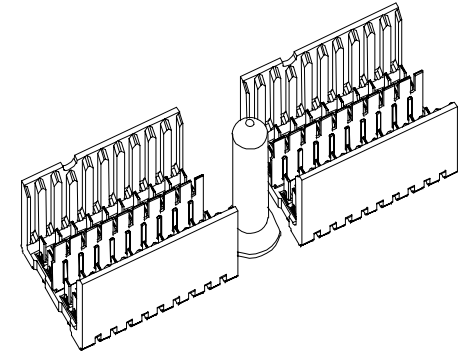
75234Series

TABLE 2 - SCREW SPECIFICATIONS

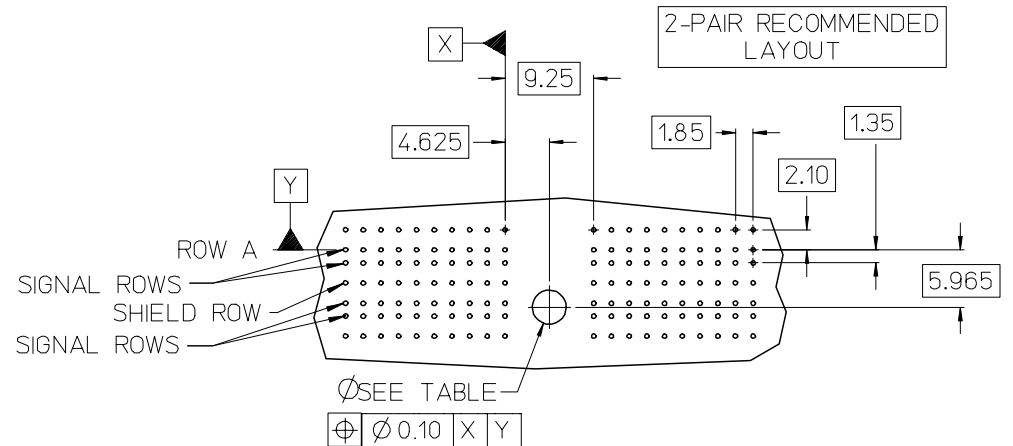
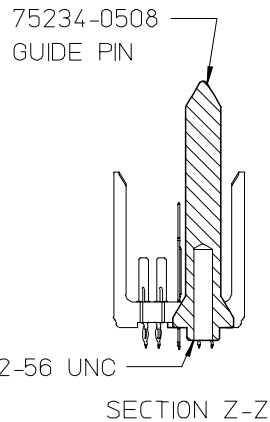
| SCREW P/N | DESCRIPTION | BOARD THICKNESS |
|------------|--|-----------------|
| 73774-1000 | #2-56 X 0.375" LONG SQUARE CONICAL MACHINE SCREW | 1.6-5.0mm |
| 73774-1005 | #2-56 X 0.500" LONG SQUARE CONICAL MACHINE SCREW | 5.0-8.0mm |

TABLE 1 - HOLE SPECIFICATIONS

| FINISHED HOLE SIZE | GROUNDED | UNGROUNDED |
|--------------------|------------------|------------------|
| | ϕ 3.48-3.63 | ϕ 3.48-3.63 |
| PAD | ϕ 6.5 | N/A |
| PLATED | YES | NO |
| DRILL (mm) | ϕ 3.66 | --- |
| DRILL (in) | ϕ 0.144 | --- |



| KIT P/N | BOARD THICKNESS | GUIDE PIN P/N | SCREW P/N |
|------------|-----------------|---------------|------------|
| 75234-1508 | 1.6 - 5.0mm | 75234-0508 | 73774-1000 |
| 75234-2508 | 5.0 - 8.0mm | 75234-0508 | 73774-1005 |



- NOTES:
- REFER TO BACKPLANE SALES DRAWINGS FOR ROW AND COLUMN ASSIGNMENTS.
 - INSTALLATION TORQUE SPECIFICATIONS: 2.5-3.0 INCH-POUNDS.
 - PLATED THRU HOLE TO CONNECT TO CHASSIS FOR GROUNDED GUIDE MODULE OPTION.
 - REFER TO PRODUCT SPECIFICATION PS-75221-999 FOR ADDITIONAL DETAILS.
 - MINIMUM BOARD THICKNESS: 1.60

| | | | | | | |
|---|---|---|--|---|---------------------|--|
| INITIAL RELEASE EC NO: UCP2006-1184 DRWN: JB INGHAM CHKD: CB MULVEY APPR: CB MULVEY 2006/01/18 2006/01/18 2006/01/19 | QUALITY SYMBOLS | GENERAL TOLERANCES (UNLESS SPECIFIED) | DIMENSION STYLE | SCALE | DESIGN UNITS | THIRD ANGLE PROJECTION |
| | =0 =0 | mm | MM ONLY | 2:1 | METRIC | TITLE GBX 2-PAIR BACKPLANE FREE-STANDING GUIDE PIN BOARD LAYOUT DRAWING MOLEX INCORPORATED |
| | | INCH | DATE | DATE | DATE | |
| | | 4 PLACES ± --- ± --- 3 PLACES ± --- ± --- 2 PLACES ± --- ± --- 1 PLACE ± --- ± --- ANGULAR ± ---° | DRAWN BY JB INGHAM 2005/11/22 CHECKED BY KMULVEY 2005/11/22 APPROVED BY SREED 2005/11/22 | MATERIAL NO. SEE CHART DOCUMENT NO. SD-75234-120 | SHEET NO. 1 OF 1 | |
| DRAFT WHERE APPLICABLE MUST REMAIN WITHIN DIMENSIONS | THIS DRAWING CONTAINS INFORMATION THAT IS PROPRIETARY TO MOLEX INCORPORATED AND SHOULD NOT BE USED WITHOUT WRITTEN PERMISSION | | | | | |