

PLEASE CHECK WWW.MOLEX.COM FOR LATEST PART INFORMATION

Part Number: **0039000283**
Status: **Active**
Overview: standard_093
Description: 2.36mm (.093") Diameter, Standard .093" Pin and Socket Crimp Terminal, Series 1380, Male, with Tin (Sn) over Copper Plated Brass Contact, 18-24 AWG, Reel

Documents:

[Drawing \(PDF\)](#) [Product Specification PS-1380-003 \(PDF\)](#)
[Product Specification PS-1380-002 \(PDF\)](#) [RoHS Certificate of Compliance \(PDF\)](#)

General

Product Family Crimp Terminals
 Series 1380
 Crimp Quality Equipment Yes
 Overview standard_093
 Product Name Standard .093"

Physical

Durability (mating cycles max) 25
 Gender Male
 Material - Metal Brass
 Material - Plating Mating Tin
 Material - Plating Termination Tin
 Packaging Type Reel
 Plating min: Mating (µin) 35
 Plating min: Mating (µm) 0.88
 Plating min: Termination (µin) 35
 Plating min: Termination (µm) 0.88
 Termination Interface: Style Crimp or Compression
 Wire Insulation Diameter 1.50-3.10mm (.059-.122")
 Wire Size AWG 18, 20, 22, 24
 Wire Size mm² N/A

Material Info

Old Part Number 1380T

Reference - Drawing Numbers

Product Specification PS-1380-002, PS-1380-003, RPS-1380-001, RPS-1380-002
 Sales Drawing SD-1380*

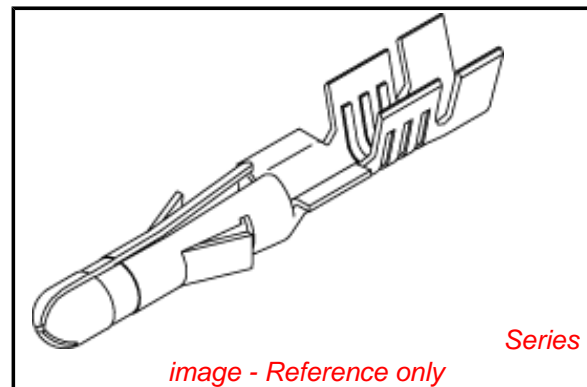


image - Reference only

EU RoHS

**ELV and RoHS
 Compliant**
**REACH SVHC
 Contains SVHC: No**
**Halogen-Free
 Status**

China RoHS



**Need more information on product
 environmental compliance?**

Email productcompliance@molex.com
 For a multiple part number RoHS Certificate of Compliance, [click here](#)

Please visit the [Contact Us](#) section for any non-product compliance questions.

Search Parts in this Series

1380Series

Application Tooling | FAQ

Tooling specifications and manuals are found by selecting the products below. Crimp Height Specifications are then contained in the Application Tooling Specification document.

Global

| Description | Product # |
|----------------------|------------|
| Mini-Mac™ Applicator | 0638927000 |
| Mini-Mac™ Applicator | 0638924000 |
| Terminator Die | 0011402002 |

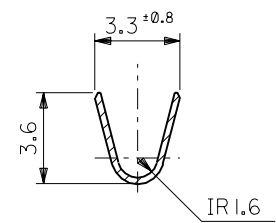
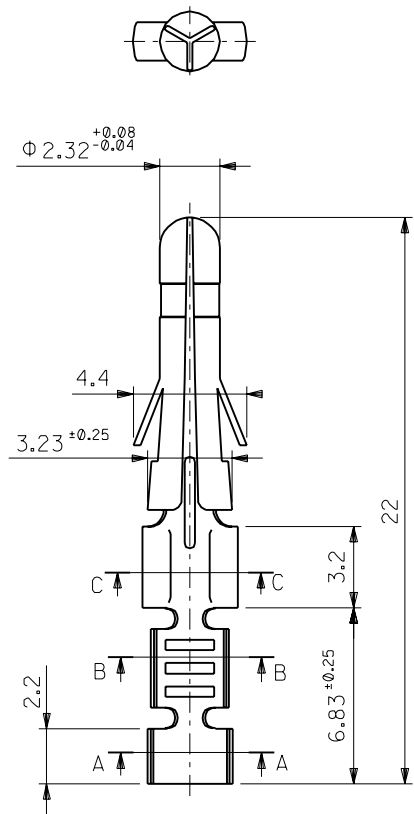
Japan

| Description | Product # |
|--|------------|
| Applicator for M21 1A Bench Press, 14-28 AWG, for 8980-6C, 8980-6C1, 1189, 1190, 1380, 1381, | 0011260069 |

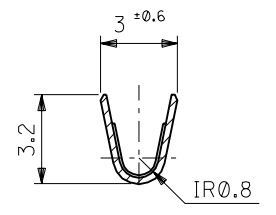
This document was generated on 05/19/2010

PLEASE CHECK WWW.MOLEX.COM FOR LATEST PART INFORMATION

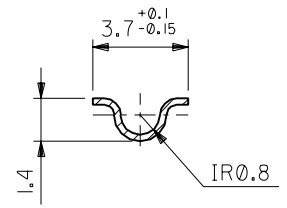
DWG. NO. SD-1380*



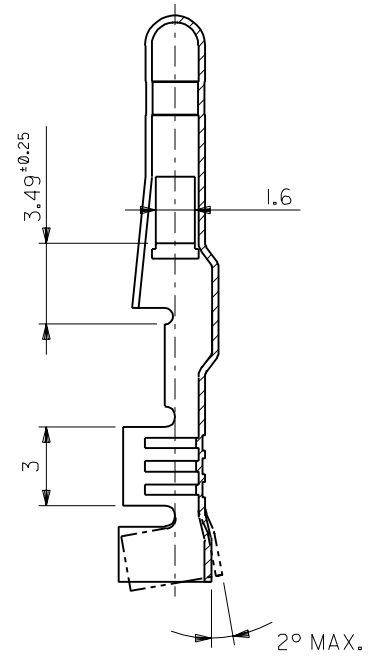
SECT. A-A



SECT. B-B



SECT. C-C



| | | | |
|---|------------|---------|----------------|
| ニッケル (2 μm MIN.) 下地 金 (0.35 μm MIN.) GOLD (0.35 μm MIN.) OVER NICKEL (2 μm MIN.) | 39-00-0306 | I380GL | バラ端子 LOOSE |
| 銅 (3 μm MIN.) 下地 錫 (0.5 μm MIN.) TIN (0.5 μm MIN.) OVER COPPER (3 μm MIN.) | 39-00-0305 | I380G | 連鎖状端子 CHAIN |
| 銅 (0.5 μm MIN.) 下地 錫 (0.9 μm MIN.) TIN (0.9 μm MIN.) OVER COPPER (0.5 μm MIN.) | 39-00-0304 | I380T2L | バラ端子 LOOSE |
| | 39-00-0303 | I380T2 | 連鎖状端子 CHAIN |
| | 39-00-0302 | I380TL | バラ端子 LOOSE |
| | 39-00-0283 | I380T | 連鎖状端子 CHAIN |
| メッキ PLATING | EDP.NO. | ENG.NO. | 形状 FORM |

注記 NOTES:
1. 一般公差 : ±0.4
GENERAL TOLERANCES : ±0.4

| | | | | | |
|----------------------------|-------|-------------------------|-------------------------|------------|-----------|
| 角度 ANGLE | ±30 | | | | |
| 30 以上 OVER | ±0.3 | | | | |
| 10 以上 30 未満 OVER UNDER | ±0.25 | | | | |
| 10 未満 UNDER | ±0.2 | H | REDRAWN 再作図 (J30539) | h.h | '93/06/18 |
| 一般公差 GENERAL TOLERANCES | LTR | 変更内容 REVISION RECORD | DR. | 日付 DATE | CHK. |

| | |
|----------------------|---------------------|
| 材料 MATERIAL | 黄銅 BRASS 0.264 t |
| 仕上げ FINISH | |
| 適用電線範囲 WIRE RANGE | AWG#18-#24 |
| 被覆外径 INS. RANGE | Φ1.5 ~ 3.1 |
| DRAWN BY '93/06/18 | CHK'D BY '93/06/18 |
| H.HASEGAWA | H.HIRAMOTO |
| APP'D BY '93/06/18 | 尺度 SCALE 5 : 1 |
| M.FUKUSHIMA | |

| | |
|---|-----|
| molex MOLEX-JAPAN CO.,LTD. 日本モレックス株式会社 | |
| REVISE ONLY ON CAD SYSTEM | |
| TITLE 名称 | |
| .093 DIA. MALE TERM. | |
| DWG. NO. | REV |
| SD-1380* | H |