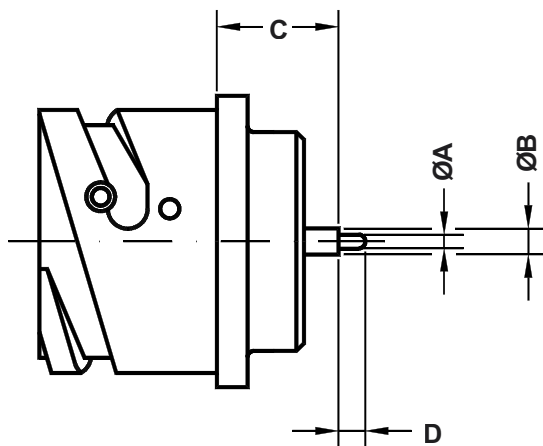
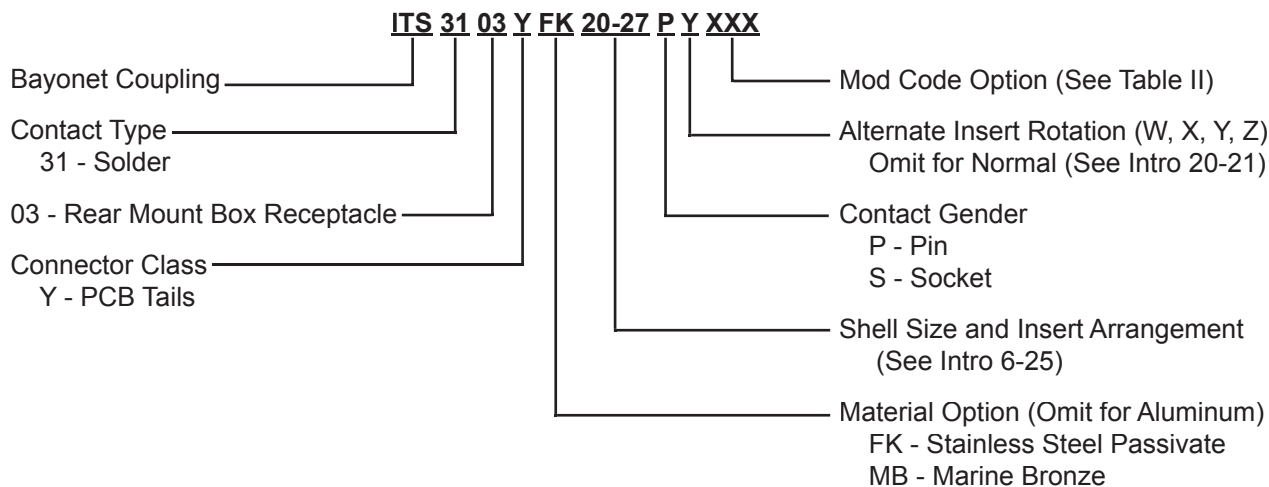


ITS 3103 (Y)

Rear Panel Mount Square Flange Receptacle with PCB Contacts No Accessory Threads



Application Notes:

1. Rear panel mount square flange receptacle with PCB contacts—no accessory threads. Threaded mounting holes. Contact factory for custom tail lengths.
2. Standard materials configuration consists of aluminum alloy with cadmium olive drab finish.
3. Standard contact material consists of copper alloy with silver plating (Gold plating available, see mod codes).
4. A broad range of other front and rear connector accessories are available. See our website and/or contact the factory for complete information.
5. Standard insert material is synthetic rubber. Add "FR" prefix to front of part number to specify fire resistant inserts.



ITS 3103 (Y)
Rear Panel Mount Square Flange Receptacle
with PCB Contacts
No Accessory Threads



ITS
Reverse Bayonet
Assemblies

TABLE I: DIMENSIONS

Shell Size	DS1				Y #16				Y #12				YL5			
	A	B	C	D	A	B	C	D	A	B	C	D	A	B	C	D
10 SL	0.8	1.8	12.40	3.6	-	-	-	-	-	-	-	-	-	-	-	-
14 S	0.8	1.8	11.70	3.6	-	-	-	-	-	-	-	-	-	-	-	-
16 S	0.8	1.8	11.70	3.6	-	-	-	-	-	-	-	-	-	-	-	-
16	0.8	1.8	13.60	3.6	0.8	1.8	16.85	3.5	1.8	3.4	16.85	3.5	0.8	1.8	16.85	5
18	0.8	1.8	13.60	3.6	0.8	1.8	16.85	3.5	1.8	3.4	16.85	3.5	0.8	1.8	16.85	5
20	0.8	1.8	13.60	3.6	0.8	1.8	16.85	3.5	1.8	3.4	16.85	3.5	0.8	1.8	16.85	5
22	0.8	1.8	13.60	3.6	0.8	1.8	16.85	3.5	1.8	3.4	16.85	3.5	0.8	1.8	16.85	5
24	0.8	1.8	13.60	3.6	0.8	1.8	16.85	3.5	1.8	3.4	16.85	3.5	0.8	1.8	16.85	5
28	0.8	1.8	13.30	3.6	0.8	1.8	16.55	3.5	1.8	3.4	16.55	3.5	0.8	1.8	16.55	5
32	-	-	-	-	0.8	1.8	15.95	3.5	1.8	3.4	15.95	3.5	0.8	1.8	18.80	5
36	-	-	-	-	0.8	1.8	15.95	3.5	1.8	3.4	15.95	3.5	0.8	1.8	18.80	5
40	-	-	-	-	0.8	1.8	15.75	3.5	1.8	3.4	15.75	3.5	0.8	1.8	18.60	5

TABLE II: MODIFICATION CODES

CONTACT OPTIONS	
Sym	Description
B0	Connector Less Contacts
B1	Connector with Gold Plated Contacts
	Omit for Standard Version (Silver Plated)
FINISH OPTIONS	
Sym	Description
F2	Bright Nickel Plating
F6	Black Electrodeposited Paint
F7	Black Zn-Co Plating
F8	Olive Drab Zn-Co Plating
	Omit for Standard Version (Cad/Olive Drab Finish)

