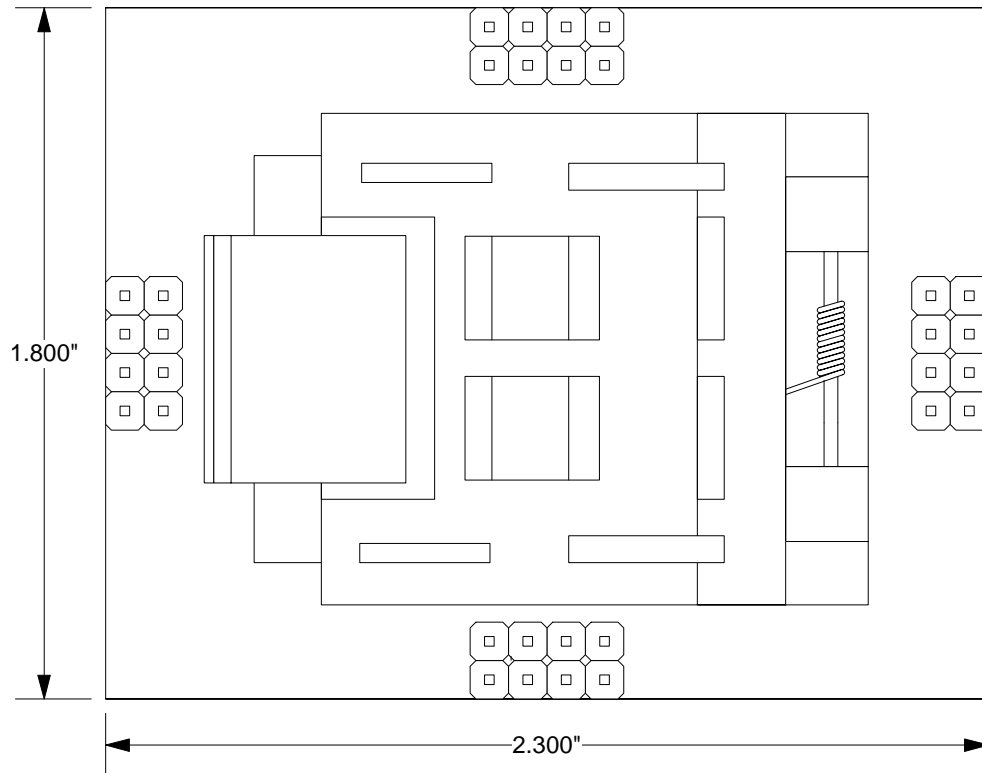
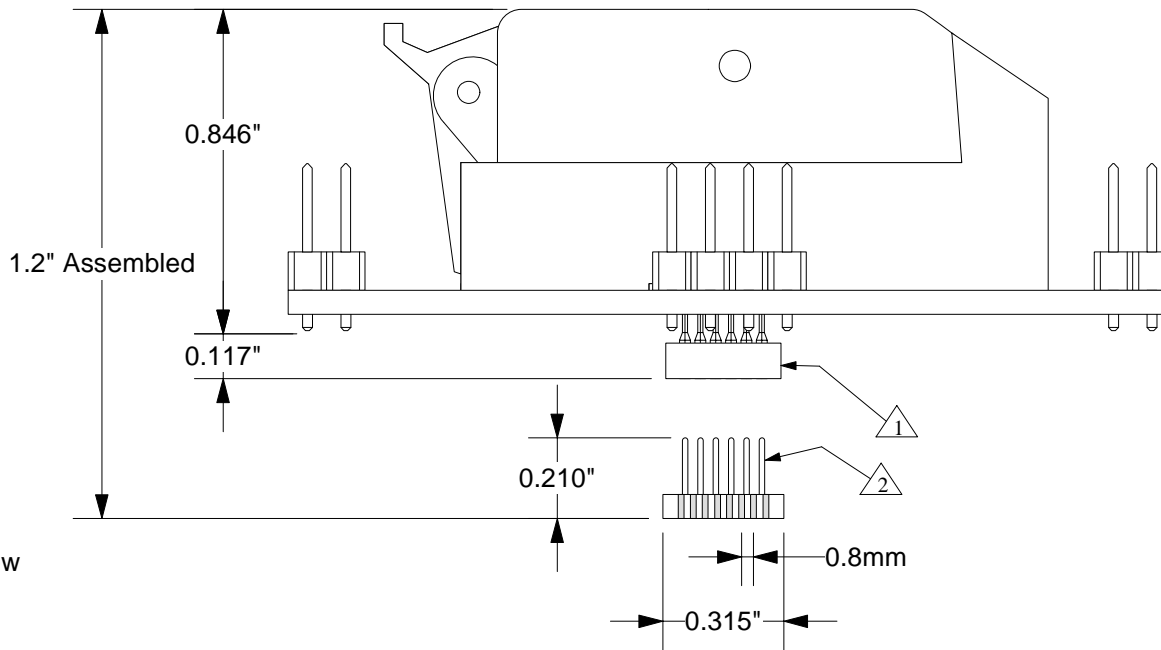


Top View




Side View



- ① Substrate: 0.125"±0.007" FR4/G10 or equivalent high temp material. Non-clad
- ② Pins: Material- Brass Alloy 360 1/2 hard; finish- 10µ" Au over 50µ" Ni (min.).

Description: Carrier Adaptor (CA); 32 position QFP ZIF socket (mini-grid on .040 centers) to 32 position QFP surface-mountable leadless foot with test points.

All tolerances: ±0.005" (unless stated otherwise). Materials and specifications are subject to change without notice.

 <p>© 1997 IRONWOOD ELECTRONICS, INC. PO BOX 21151 ST. PAUL, MN 55121 Tele: (651) 452-8100 www.ironwoodelectronics.com</p>	CA-QFE32SA-L-Z-T-02 Drawing		Status: Released	Scale: 2:1	Rev: D
				Drawing by: P. LeBeau	
			File: CA-QFE032SA-L-Z-T-02 Dwg		Modified: 4/18/01