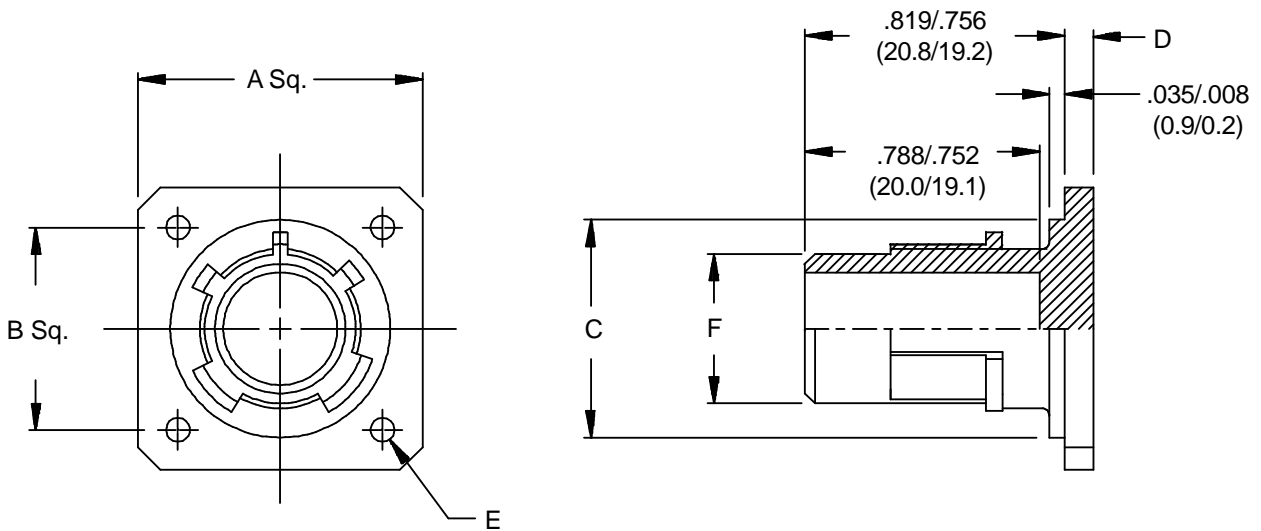
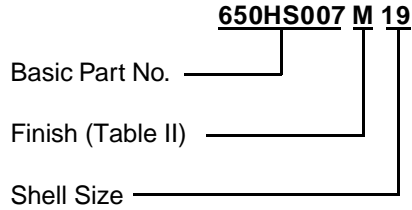


650HS007
Dummy Storage Receptacles - Breach-Lock
MIL-C-38999 Series IV



MIL-C-38999
Series IV
Universal
Polarization



See inside back cover fold-out or page 14 for Table II.

TABLE III: DIMENSIONS

Shell Size	Shell Size Code	A Max	B BSC	C		D ± 0.006 (± 0.2)	E ± 0.006 (± 0.2)	F	
				+ 0 -0.015	(0.0) (-0.4)			+ 0 -0.006	(0.0) (-0.2)
11	B	1.051 (26.7)	.812 (20.6)	.793 (20.1)	(0.0)	.094 (2.4)	.132 (3.4)	.509 (12.9)	(-0.2)
13	C	1.146 (29.1)	.906 (23.0)	.919 (23.3)	(0.0)	.094 (2.4)	.132 (3.4)	.634 (16.1)	(-0.2)
15	D	1.240 (31.5)	.969 (24.6)	1.044 (26.5)	(0.0)	.094 (2.4)	.132 (3.4)	.759 (19.3)	(-0.2)
17	E	1.335 (33.9)	1.062 (27.0)	1.170 (29.7)	(0.0)	.094 (2.4)	.132 (3.4)	.885 (22.5)	(-0.2)
19	F	1.461 (37.1)	1.156 (29.4)	1.294 (32.9)	(0.0)	.094 (2.4)	.132 (3.4)	1.009 (25.6)	(-0.2)
21	G	1.583 (40.2)	1.250 (31.8)	1.419 (36.0)	(0.0)	.126 (3.2)	.132 (3.4)	1.134 (28.8)	(-0.2)
23	H	1.709 (43.4)	1.375 (34.9)	1.544 (39.2)	(0.0)	.126 (3.2)	.152 (3.9)	1.259 (32.0)	(-0.2)
25	J	1.835 (46.6)	1.500 (38.1)	1.669 (42.4)	(0.0)	.126 (3.2)	.152 (3.9)	1.384 (35.2)	(-0.2)

1. Equivalent to DOD-C-38999/50.
2. Metric dimensions (mm) are indicated in parentheses.